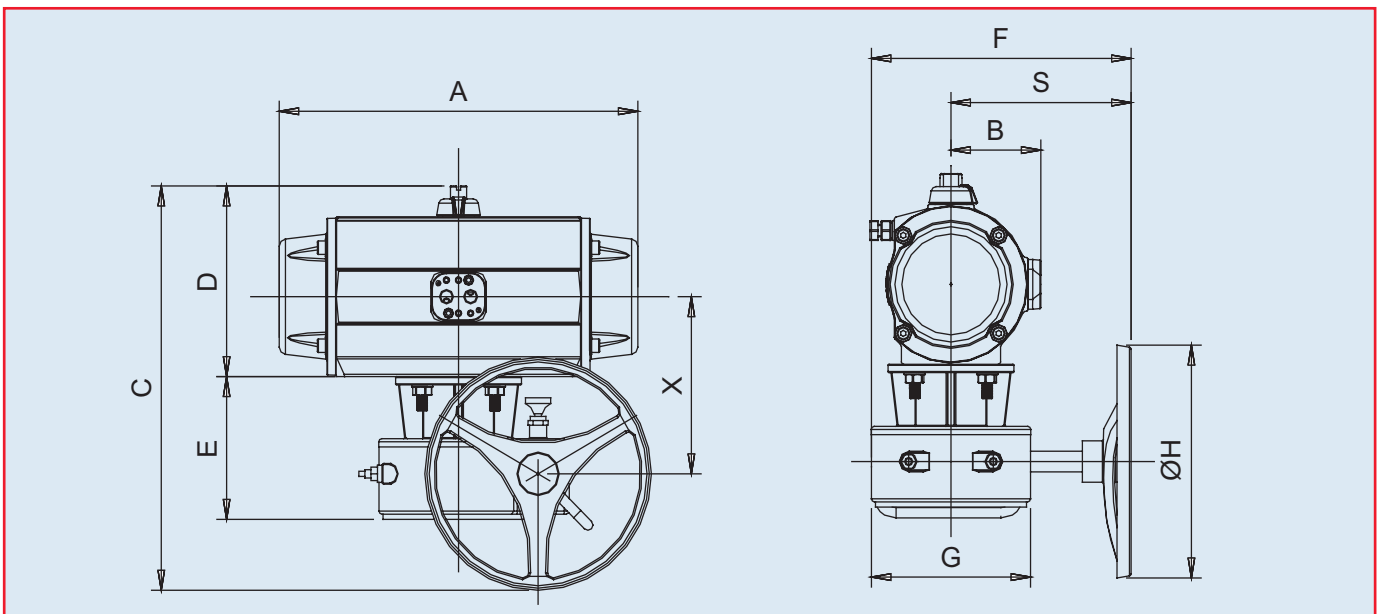


# Declutchable Manual Override for Series 79P



## Standard Features:

- Output torque range of 1,100 in.x lbs. through 65,938 in.x lbs.
- Polyester coating
- End position travel stop
- ISO mounting
- Direct mount



## Dimensions (in.)

ACTUATOR	GEARBOX	A		B	C	D	E	F	G	S	H	X
		A-S	A-A									
B79PA	RD-315	6.10		2.05	10.35	4.02	4.65	9.29	4.65	6.81	5.91	5.12
B579PA	RD-315	7.91		2.44	11.02	4.68	4.65	9.29	4.65	6.81	5.91	5.35
C79PA	RD-315	8.90		2.48	11.18	4.85	4.65	9.29	4.65	6.81	5.91	5.47
C579PA	RD-315	10.43		2.80	11.81	5.47	4.65	9.29	4.65	6.81	5.91	5.79
D79PA	RD-320	12.18		2.95	13.26	5.79	4.80	9.49	5.59	6.69	7.87	6.10
D579PA	RD-330	14.09		3.50	16.25	6.90	5.71	14.57	8.27	11.02	11.81	6.54
E79PA	RD-330	16.90		3.82	16.93	7.52	5.71	14.57	8.27	11.02	11.81	6.89
F79P	RD-345	23.54	17.48	4.72	22.40	10.71	6.38	15.59	9.57	11.26	15.75	8.39
G79PA	RD-350	27.32		5.31	28.54	12.32	6.89	18.07	10.51	13.70	23.62	9.65
L79PA	RD-360	26.40		6.77	34.05	14.49	7.64	19.02	11.81	14.01	29.53	11.18
M79PA	RD-370	29.23		8.50	37.60	16.85	8.23	24.72	13.28	18.43	31.50	12.52