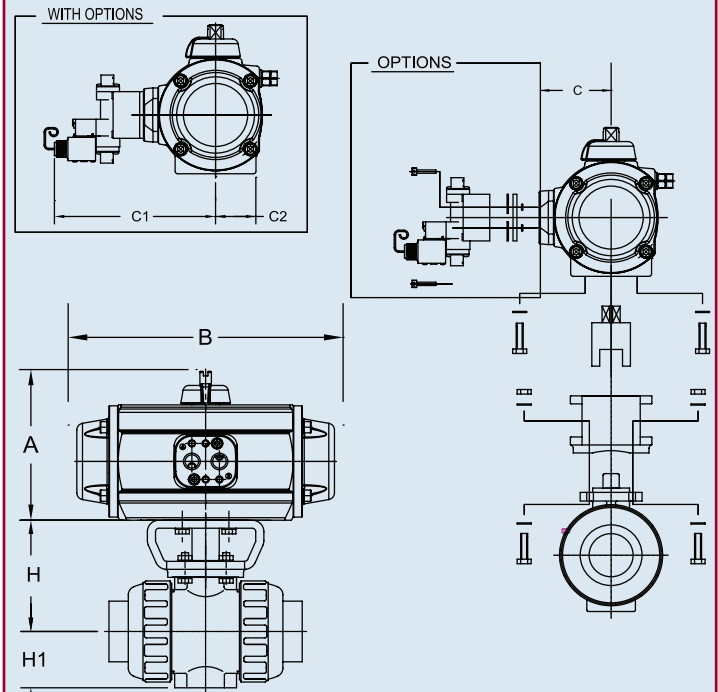


Pneumatically Actuated Type-21



Type 79P on Type-21 Ball Valve



Dimensions (Sizes 1/2" – 4") (in.)

NOMINAL SIZE		Model No. Air-Air	Model No. Air-Spring	H	H1*	A		B		C		C1		C2	
INCHES	mm					A-A	A-S	A-A	A-S	A-A	A-S	A-A	A-S	A-A	A-S
1/2	15	AP79PN	AP79PSN	2.76	1.14	3.50	3.50	5.51	5.51	1.47	1.47	5.41	5.41	1.21	1.21
3/4	20	AP79PN	AP79PSN	3.01	1.38	3.50	3.50	5.51	5.51	1.47	1.47	5.41	5.41	1.21	1.21
1	25	AP79PN	AP79PSN	3.29	1.54	3.50	3.50	5.51	5.51	1.47	1.47	5.41	5.41	1.21	1.21
1-1/4	32	AP79PN	BP79PSN	3.64	1.85	3.50	4.00	5.51	6.22	1.47	1.47	5.41	5.41	1.21	1.21
1-1/2	40	AP79PN	BP79PSN	3.98	2.17	3.50	4.00	5.51	6.22	1.47	1.73	5.41	5.41	1.21	1.41
2	50	AP79PN	CP79PSN	4.43	2.60	3.50	4.84	5.51	9.05	1.47	1.97	5.41	5.41	1.21	1.85
2-1/2	65	CP79PN	CP79PSN	5.12	2.83	4.84	4.84	9.05	9.05	1.97	1.97	5.89	5.89	1.85	1.85
3	80	CP79PN	DP79PSN	5.47	3.35	4.84	5.76	9.05	12.32	1.97	2.56	5.89	5.89	1.85	2.36
4	100	CP79PN	DP79PSN	6.97	4.33	4.84	5.76	9.05	12.32	2.56	2.56	6.48	6.48	2.36	2.36