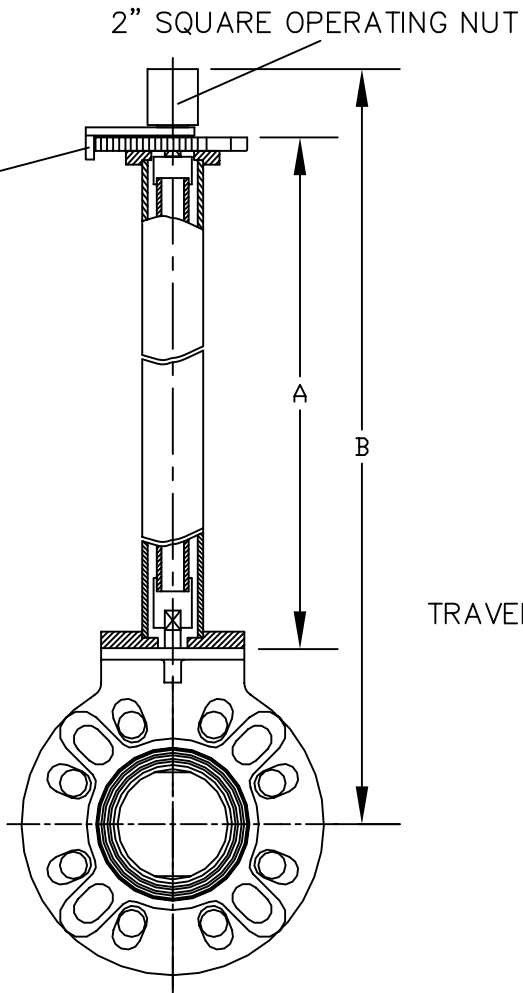
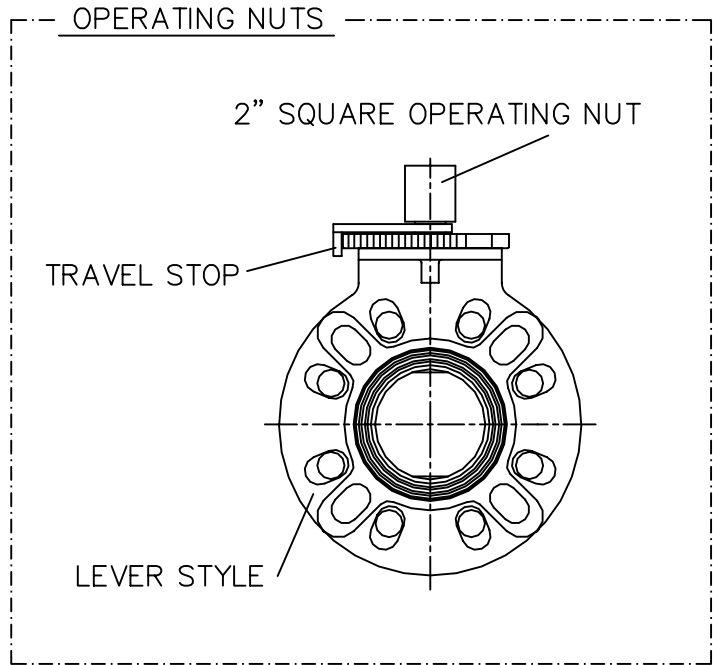
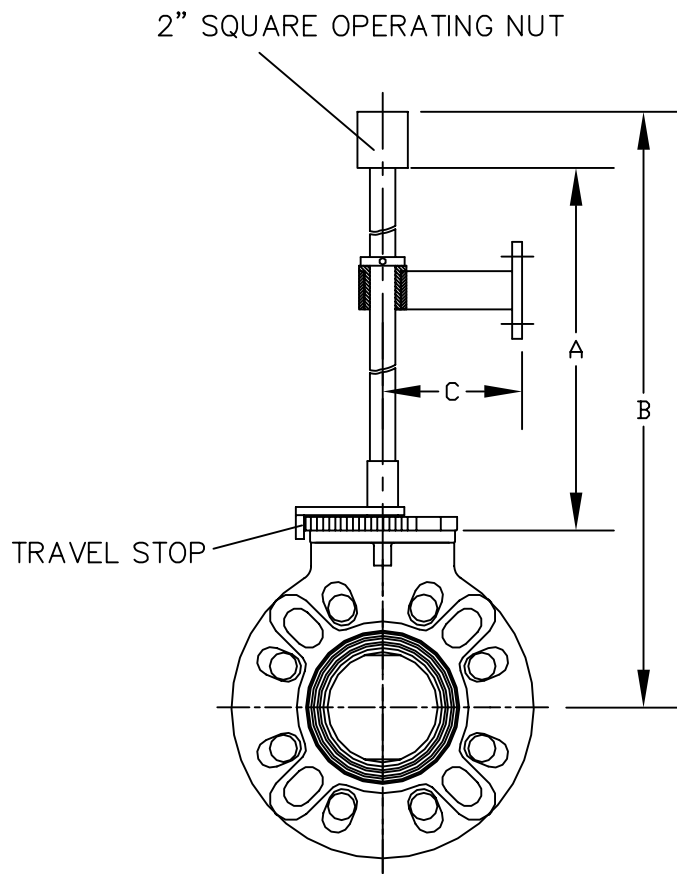


**FOR REFERENCE ONLY**  
**ASAHI/AMERICA**



STYLE LBF-A  
 (TWO PIECES, STEM & HOUSING)



STYLE LBF-B  
 (ONE PIECE, NON-SUPPORTED)

DIMENSIONS TABLE UNIT: inch


DIMENSIONS	STYLE A	STYLE B
A		
B		
C		

NOTE; 1. The shape and appearance of assembly differ a little with nominal size compared to this drawing.

THIS DRAWING AND ALL INFORMATION HEREON IS THE PROPERTY OF ASAHI/AMERICA. ANY COPYING, REPRODUCTION OR UNAUTHORIZED USE IS FORBIDDEN WITHOUT WRITTEN CONSENT.

	NAME	DATE
DR	JOHN GLASSFORD	6/10/05
APPD	DAVE HURLEY	6/10/05
PROD	LEO LESTER	6/10/05
WO#/CO#		
FILE		

**ASAHI/AMERICA**  
 ISO 9001 CERTIFIED  
 35 GREEN STREET, P.O. BOX 653, MALDEN, MA.



**BUTTERFLY VALVE TYPE57**  
**2" SQUARE OPERATING NUT**  
**TYPICAL STEM EXTENSIONS**

SIZE	DWG. NO.	REV
A	0213BF57	A
SCALE	SHEET 1 OF 1	
NTS		