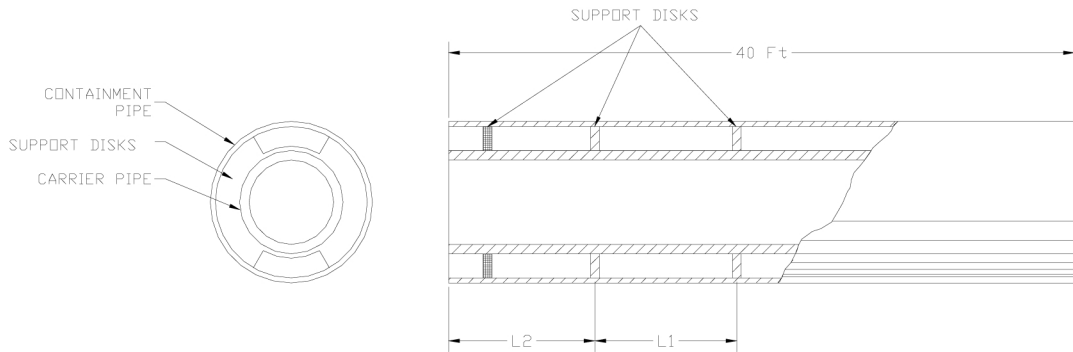


Simultaneous Pipe



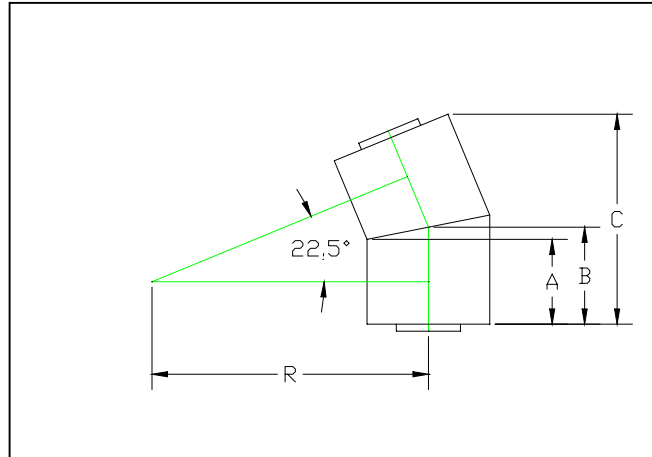
SDR Rating	11 x 11	11 x 17	11 x 26	17 x 26	26 x 26	26 x 32.5
Part Number	4001	4002	4085	4005	4695	4977

Size	Standard SDR	Size Code	L1	L2
1" x 3"	11 x 11	134	34.25	35.25
1" x 4"	11 x 17	401	34.25	35.25
1.5" x 4"	11 x 17	415	34.25	35.25
2" x 4"	11 x 17	420	37.0	38.0
2" x 6"	11 x 17	530	37.0	38.0
3" x 6"	11 x 17	531	48.0	49.0
	11 x 26		48.0	49.0
	17 x 26		43.75	44.75
4" x 8"	11 x 17	583	53.25	54.25
	11 x 26		53.25	54.25
	17 x 26		48.0	49.0
6" x 10"	11 x 17	627	60.0	61.0
	17 x 26		60.0	61.0
	26 x 26		53.25	54.25
8" x 12"	17 x 26	660	68.5	69.5
	26 x 32.5		60.0	61.0
10" x 14"	17 x 26	702	68.5	69.5
12" x 16"	26 x 26	690	80.0	81.0
12" x 18"	17 x 26	711	80.0	81.0

in inches

More sizes and SDRs available

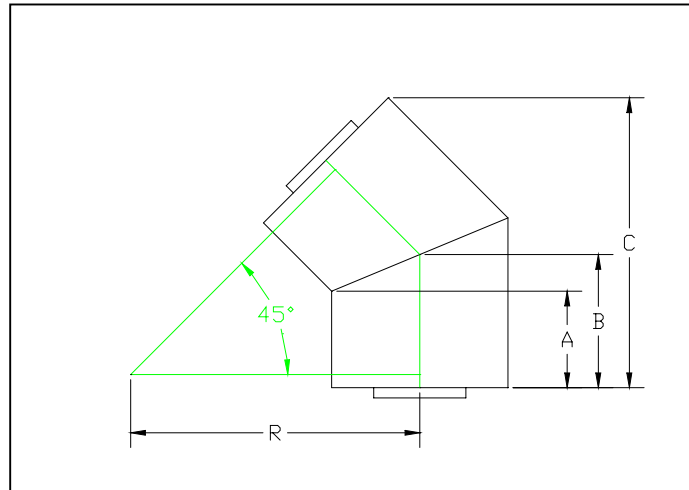
22.5° Elbow
Part Number + Size Code



SDR RATING	11 x 11	11 x 17	11 x 26	17 x 26	26 x 26	26 x 32.5
PART # Number	4957	4958	4959	4960	4961	4981

SIZE	Standard SDR	Size Code	A	B	C	R
1" x 3"	11 x 11	134	3.0"	3.5"	7.4"	7.4
1" x 4"	11 x 17	401	5.0"	5.6"	11.6"	11.6"
1.5" x 4"		415				
2" x 4"		420				
2" x 6"	11 x 17	530	6.0"	6.9"	14.5"	14.5"
3" x 6"	11 x 17	531	6.0"	6.9"	14.5"	14.5"
	11 x 26					
	17 x 26					
4" x 8"	11 x 17	583	6.0"	7.1"	15.5"	15.5"
	11 x 26					
	17 x 26					
6" x 10"	11 x 17	627	6.0"	7.4"	16.6"	16.6"
	17 x 26					
	26 x 26					
8" x 12"	17 x 26	660	8.0"	9.7"	21.3"	21.3"
	26 x 32.5					
10" x 14"	17 x 26	702	8.0"	9.9"	22.0"	22.0"
12" x 16"	26 x 26	690	10.0"	12.1"	26.7"	26.7"

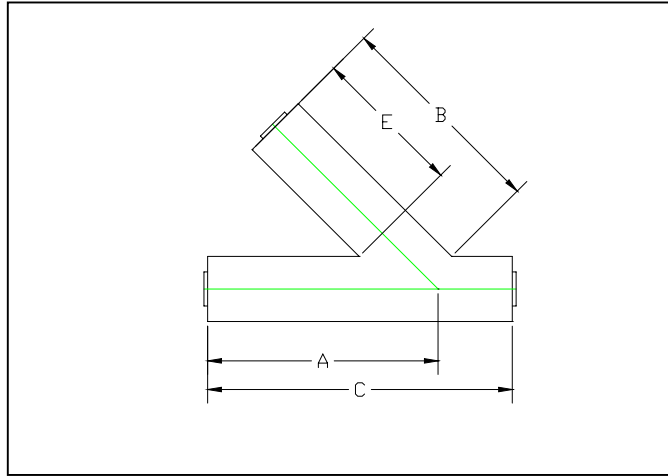
45° Elbow
Part Number + Size Code



SDR RATING	11 x 11	11 x 17	11 x 26	17 x 26	26 x 26	26 x 32.5
PART # Number	4021	4022	4025	4026	4027	4693

SIZE	Standard SDR	Size code	A	B	C	R
1" x 3"	11 x 11	134	C.F.	C.F.	C.F.	C.F.
1" x 4" 1.5" x 4" 2" x 4"	11 x 17	401 415 420	4.7"	5.0"	10.13"	10.13"
2" x 6"	11 x 17	530	5.13"	6.5"	13.44"	13.44"
3" x 6"	11 x 17 11 x 26 17 x 26	531	5.13"	6.5"	13.44"	13.44"
4" x 8"	11 x 17 11 x 26 17 x 26	583	4.71"	6.5"	14.14"	14.14"
6" x 10"	11 x 17 26 x 26 17 x 26	627	5.77"	8.0"	17.46"	17.46"
8" x 12"	17 x 26 26 x 32.5	660	5.86"	8.5"	19.02"	19.02"
10" x 14"	17 x 26	702	C.F.	C.F.	C.F.	C.F.
12" x 16"	26 x 26	690	C.F.	C.F.	C.F.	C.F.
12" x 18"	17 x 26	711	C.F.	C.F.	C.F.	C.F.

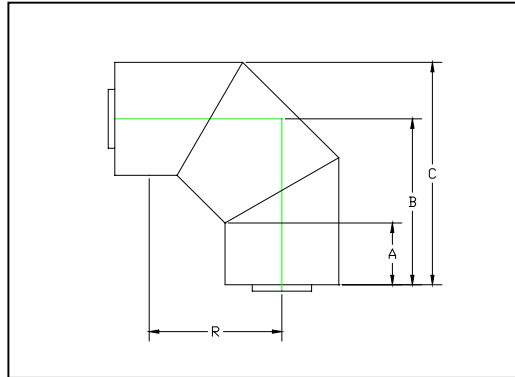
45° Lateral
Part Number + Size Code



SDR RATING	11 x 17	11 x 26	17 x 26	26 x 26	26 x 32.5
PART # Number	4047	4087	4048	4052	4053

SIZE	Standard SDR	Size code	A	B	C	E	Gusset Thickness
2" x 4"	11 x 17	420	19.5"	19.5"	26.5"	14.1"	N/R
2" x 6"	11 x 17	530	27.6"	27.9"	35.5"	19.9"	N/R
3" x 6"	11 x 17 11 x 26 17 x 26	531	27.6"	27.9"	35.5"	19.9"	N/R
4" x 8"	11 x 17 11 x 26 17 x 26	583	30.4"	30.4"	40.2"	20.0"	N/R
6" x 10"	11 x 17 17 x 26 26 x 26	627	40.3"	35.0"	50.5"	20.0"	1.0"
8" x 12"	17 x 26 26 x 23.5	660	44.0"	35.4"	54.6"	20.0"	1.0"
10" x 14"	17 x 26	702	47.3"	38.9"	58.2"	22.0"	1.0"
12" x 16"	26 x 26	690	55.3"	45.3"	66.0"	26.0"	1.0"
12" x 18"	17 x 26	711	59.5"	49.7"	71.2"	28.0"	1.5"

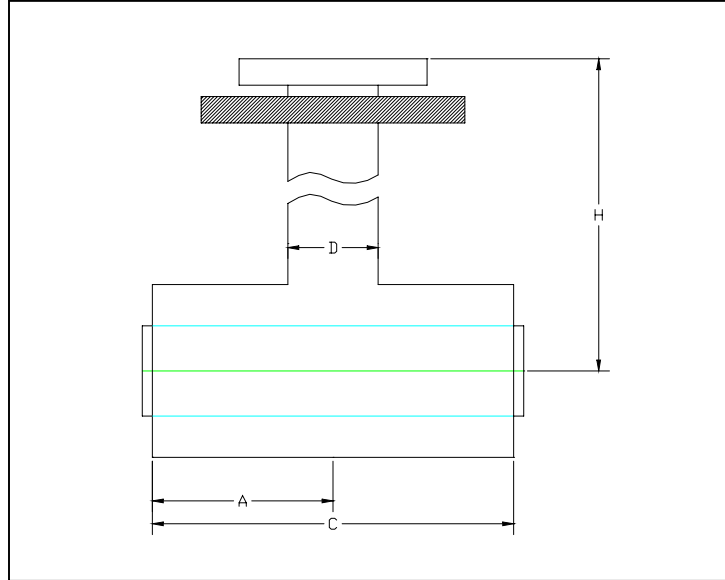
90° Elbow
Part Number + Size Code



SDR RATING	11 x 11	11 x 17	11 x 26	17 x 26	26 x 26	26 x 32.5
PART # Number	4011	4012	4015	4016	4017	4974

SIZE	Standard SDR	Size code	A	B	C	R
1" x 3"	11 x 11	134	C.F.	C.F.	C.F.	C.F.
1" x 4"	11 x 17	401	4.07"	8.54"	10.79"	6.5"
1.5" x 4"		415				
2" x 4"		420				
2" x 6"	11 x 17	530	5.13"	11.45"	14.76"	8.9"
3" x 6"	11 x 17	531	5.13"	11.45"	14.76"	8.9"
	11 x 26					
	17 x 26					
4" x 8"	11 x 17	583	4.71"	12.66	16.97"	10.05"
	11 x 26					
	17 x 26					
6" x 10"	11 x 17	627	5.77"	14.72"	20.09"	11.93"
	17 x 26					
	26 x 26					
8" x 12"	17 x 26	660	5.86"	15.92	22.3"	13.0"
	26 x 32.5					
10" x 14"	17 x 26	702	C.F.	C.F.	C.F.	C.F.
12" x 16"	26 x 26	690	C.F.	C.F.	C.F.	C.F.
12" x 18"	17 x 26	711	C.F.	C.F.	C.F.	C.F.

Access Port with Flange
Part Number + Size Code

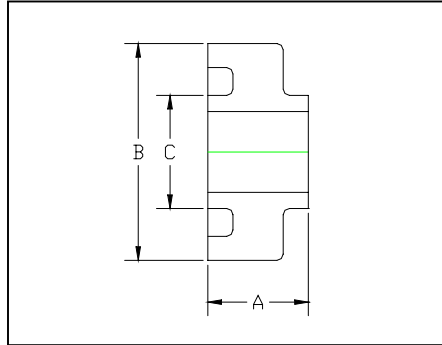


SDR RATING	11 x 11	11 x 17	11 x 26	11 x 32.5	17 x 17	17 x 26	17 x 32.5	26 x 26	26 x 32.5	32 x 32
PART # Number	4916	4917			4918					

SIZE	Size code	A	C	D	H
1" x 4"	401	6.0"	12.0"	4.5"	Varies
2" x 6"	530	9.0"	18.0"	4.5"	Varies
3" x 6"	531				
3" x 8"	582	9.0"	18.0"	4.5"	Varies
4" x 8"	583				
6" x 10"	627	9.0"	18.0"	4.5"	Varies
8" x 12"	660	9.0"	18.0"	4.5"	Varies

Dogbone End Termination

Part Number + Size Code

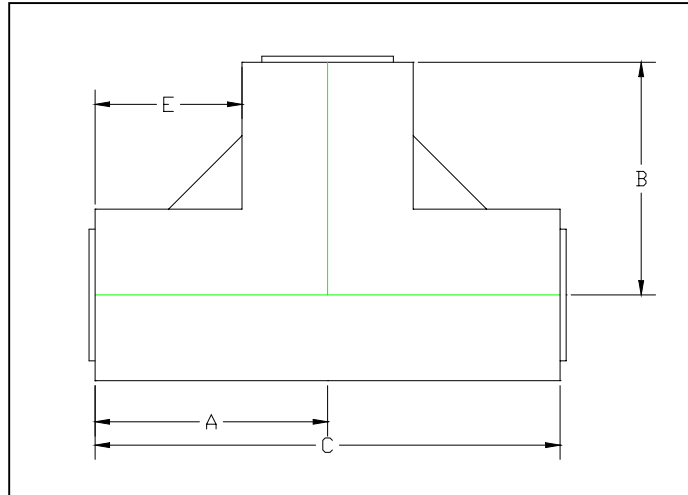


SDR RATING	11 x 11	11 x 17	11 x 26	17 x 26	26 x 26	26 x 32.5
PART # Number	4940	4941	4938	4939	4947	4948

SIZE (SDRxSDR)	Size code	A	B	C
1" x 3" (11 x 11)	134	2.5"	3.5"	1.315"
1" x 4" (11 x 17)	401	2.5"	4.5"	1.315"
1.5" x 4" (11 x 17)	415	2.5"	4.5"	1.9"
2" x 4" (11 x 17)	420	2.5"	4.5"	2.375"
2" x 6" (11 x 17)	530	3.0"	6.625"	2.375"
3" x 6" (11 x 17)	531	3.0"	6.625"	3.5"
3" x 6" (11 x 26)	531	3.0"	6.625"	3.5"
3" x 6" (17 x 26)	531	3.0"	6.625"	3.5"
4" x 8" (11 x 17)	583	4.0"	8.625"	4.5"
4" x 8" (11 x 26)	583	3.0"	8.625"	4.5"
4" x 8" (17 x 26)	583	3.0"	8.625"	4.5"
6" x 10" (11 x 17)	627	4.0"	10.75"	6.625"
6" x 10" (17 x 26)	627	3.0"	10.75"	6.625"
6" x 10" (26 x 26)	627	3.0"	10.75"	6.625"
8" x 12" (17 x 26)	660	4.0"	12.75"	8.625"
8" x 12" (26 x 32)	660	3.0"	12.75"	8.625"
10" x 14" (17 x 26)	702	4.0"	14.0"	10.75"
10" x 16" (17 x 26)	633	4.0"	16.0"	10.75"
10" x 16" (26 x 26)	633	4.0"	16.0"	10.75"
12" x 16" (26 x 26)	690	4.0"	16.0"	12.75"
12" x 18" (17 x 26)	711	4.0"	18.0"	12.75"

Fabricated Tee

Part Number + Size Code

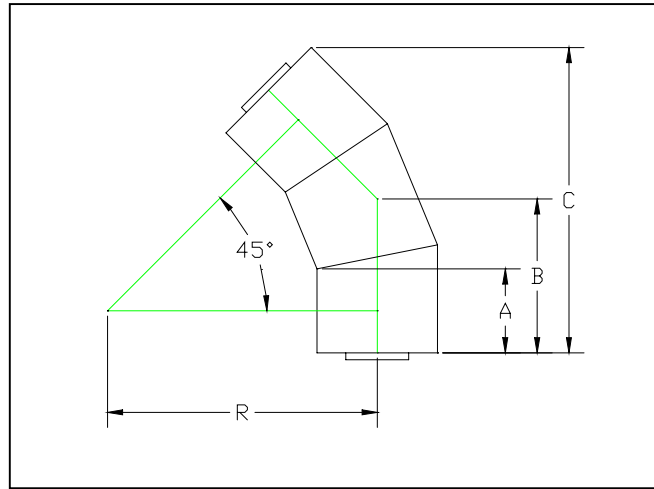


SDR RATING	11 x 17	11 x 26	17 x 26	26 x 26	26 x 32.5
PART # Number					

SIZE	Standard SDR	Size code	A	B	C	E
6" x 10"	11 x 17 17 x 26 26 x 26	627	13.5"	16"	27.5"	8.1"
8" x 12"	17 x 26 26 x 32.5	660	24.0"	24.0"	48.0"	17.6"
10" x 14"	17 x 26	702	24.0"	24.0"	48.0"	17.0"
12" x 16"	26 x 26	690	24.0"	24.0"	48.0"	16.0"
12" x 18"	17 x 26	711	24.0"	24.0"	48.0"	15.0"

Long Sweep 45° Elbow

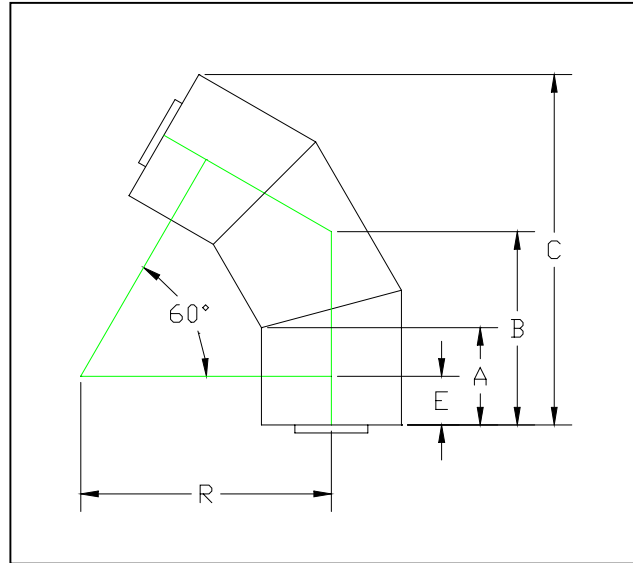
Part Number + Size Code



SDR RATING	11 x 11	11 x 17	11 x 26	11 x 32.5	17 x 17	17 x 26	17 x 32.5	26 x 26	26 x 32.5	32 x 32
PART # Number	4121	4022	4025	4028	4029	4026	4023	4027	4056	4024

SIZE	Size code	A	B	C	R
1" x 3"	134	3.0"	5.4"	10.4"	9.3"
1" x 4"	401				
1.5" x 4"	415	5.0"	8.5"	16.1"	14.2"
2" x 4"	420				
2" x 6"	530				
3" x 6"	531	6.0"	10.6"	20.5"	18.4"
3" x 8"	582				
4" x 8"	583	6.0"	11.0"	21.9"	19.4"
6" x 10"	627	6.0"	11.5"	23.4"	20.4"
8" x 12"	660	8.0"	15.0"	30.0"	26.5"
10" x 14"	702	8.0"	15.3"	30.9"	27.1"
10" x 16"	633				
12" x 16"	690	10.0"	18.7"	37.6"	33.1"
12" x 18"	711	10.0"	19.1"	39.0"	34.1"
14" x 20"	717	11.0"	21.1"	43.1"	37.7"
16" x 22"	735	11.0"	21.5"	44.5"	38.7"
18" x 24"	738	11.0"	21.9"	45.9"	39.7"
20" x 28"	785	10.0"	21.2"	46.1"	39.0"
22" x 30"	789	10.0"	21.6"	47.9"	40.1"
24" x 32"	793	10.0"	22.1"	48.9"	41.1"

Long Sweep
60° Elbow
Part Number + Size Code

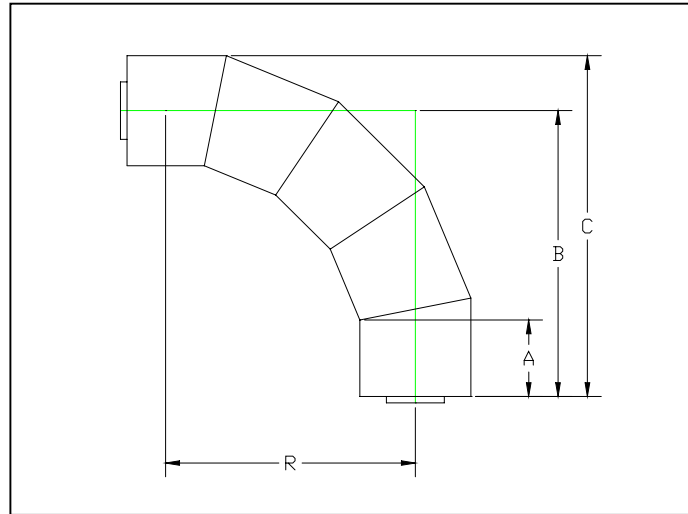


SDR RATING	11 x 11	11 x 17	11 x 26	11 x 32.5	17 x 17	17 x 26	17 x 32.5	26 x 26	26 x 32.5	32 x 32
PART # Number	4121	4022	4025	4028	4029	4026	4023	4027	4056	4024

SIZE	Size code	A	B	C	E	R
1" x 3"	134	3.0"	5.4"	10.4"	1.5"	9.3"
1" x 4"	401					
1.5" x 4"	415	5.0"	8.5"	16.1"	2.5"	14.2"
2" x 4"	420					
2" x 6"	530					
3" x 6"	531	6.0"	10.6"	20.5"	3.0"	18.4"
3" x 8"	582					
4" x 8"	583	6.0"	11.0"	21.9"	3.0"	19.4"
6" x 10"	627	6.0"	11.5"	23.4"	3.0"	20.4"
8" x 12"	660	8.0"	15.0"	30.0"	4.0"	26.5"
10" x 14"	702	8.0"	15.3"	30.9"	4.0"	27.1"
10" x 16"	633					
12" x 16"	690	10.0"	18.7"	37.6"	5.0"	33.1"
12" x 18"	711	10.0"	19.1"	39.0"	5.0"	34.1"
14" x 20"	717	11.0"	21.1"	43.1"	5.5"	37.7"
16" x 22"	735	11.0"	21.5"	44.5"	5.5"	38.7"
18" x 24"	738	11.0"	21.9"	45.9"	5.5"	39.7"
20" x 28"	785	10.0"	21.2"	46.1"	5.0"	39.0"
22" x 30"	789	10.0"	21.6"	47.9"	5.0"	40.1"
24" x 32"	793	10.0"	22.1"	48.9"	5.0"	41.1"

Long Sweep
90° Elbow

Part Number + Size Code

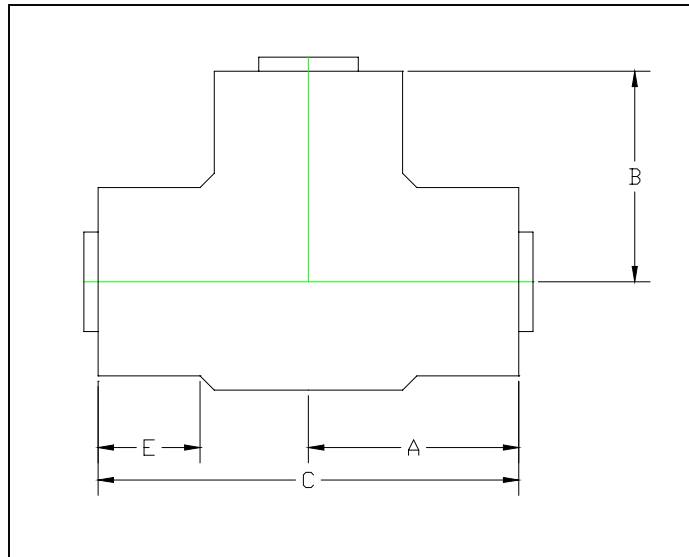


SDR RATING	11 x 11	11 x 17	11 x 26	11 x 32.5	17 x 17	17 x 26	17 x 32.5	26 x 26	26 x 32.5	32 x 32
PART # Number										

SIZE	Size code	A	B	C	R
1" x 3"	134	3.0"	10.8"	12.5"	9.3"
1" x 4"	401				
1.5" x 4"	415	5.0"	16.8"	19.1"	14.2
2" x 4"	420				
2" x 6"	530				
3" x 6"	531	6.0"	21.4"	24.7"	18.3"
3" x 8"	582				
4" x 8"	583	6.0"	22.4"	26.7"	19.4"
6" x 10"	627	6.0"	23.5"	28.8"	20.1"
8" x 12"	660	8.0"	30.5"	36.8"	26.5"
10" x 14"	702	8.0"	31.0"	38.0"	27.1"
10" x 16"	633				
12" x 16"	690	10.0"	38.1"	46.1"	33.1"
12" x 18"	711	10.0"	39.1"	48.1"	34.1"
14" x 20"	717	11.0"	43.2"	53.2"	37.7"
16" x 22"	735	11.0"	44.2"	55.2"	38.7"
18" x 24"	738	11.0"	45.2"	57.2"	39.7"
20" x 28"	785	10.0"	44.1"	58.1"	39.0"
22" x 30"	789	10.0"	45.1"	60.1"	40.1"
24" x 32"	793	10.0"	46.1"	62.1"	41.1"

Tee

Part Number + Size Code

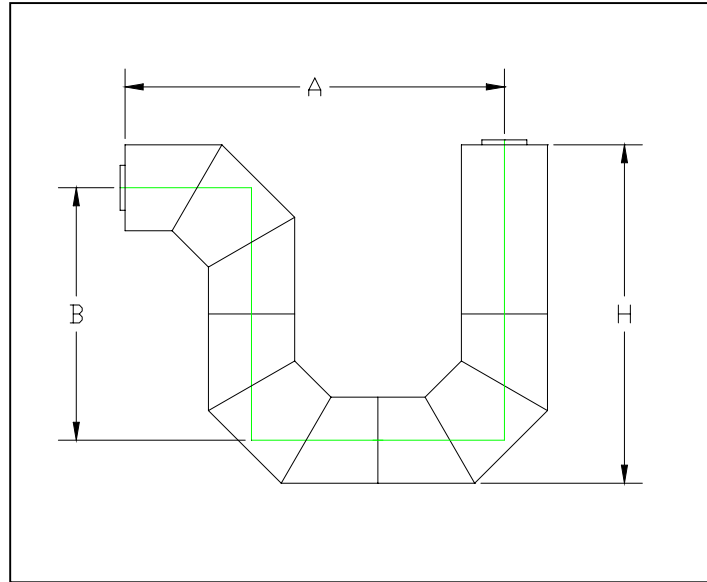


SDR RATING	11 x 11	11 x 17	11 x 26
PART # Number	4031	4032	4091

SIZE	Size code	A	B	C	E
1" x 3"	134	5.9"	5.6"	11.8"	3.0"
1" x 4"	401	6.7"	5.6"	13.9"	3.0"
1.5" x 4"	415				
2" x 4"	420				
2" x 6"	530	8.9"	7.8"	17.8"	3.75"
3" x 6"	531				
4" x 8"	583				

P-Trap

Part Number + Size Code

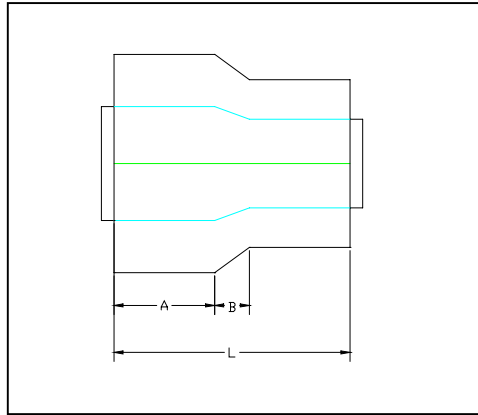


SDR RATING	11 x 11	11 x 17	11 x 26	11 x 32.5	17 x 17	17 x 26	17 x 32.5	26 x 26	26 x 32.5	32 x 32
PART # Number	4901	4902	4097	4903	4904	4975	4905	4949	4950	4906

SIZE	Size code	A	B	H
1" x 3"	(134)	15.39"	10.26"	13.76"
1" x 4"	(401)	25.62"	17.08"	21.58"
1.5" x 4"	(415)			
2" x 4"	(420)			
2" x 6"	(530)	34.35"	22.90"	29.52"
3" x 6"	(531)			
3" x 8"	(582)	37.98"	25.32"	33.94"
4" x 8"	(583)			
6" x 10"	(627)	44.16"	29.44"	40.18"

Reducers

Part Number + Size Code

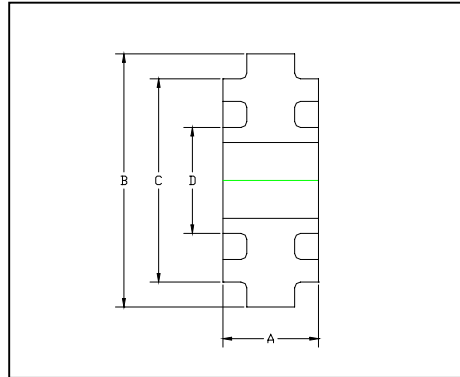


SDR RATING	11 x 11	11 x 17	11 x 26	11 x 32.5	17 x 17	17 x 26	17 x 32.5	26 x 26	26 x 32.5	32 x 32
PART # Number	4071	4072	4096	4073						4074

SIZE	Size code	A	B	L
1" x 4" to 1" x 3" 1.5" x 4" to 1" x 3" 2" x 4" to 1" x 3"		3.13"	2.38"	8.62"
2" x 6" to 1" x 3" 3" x 6" to 1" x 3"		5.12"	2.36"	11.42"
2" x 6" to 1" x 4" 2" x 6" to 1.5" x 4" 2" x 6" to 2" x 4" 3" x 6" to 1" x 4" 3" x 6" to 1.5" x 4" 3" x 6" to 2" x 4"		3.0"	1.875"	7.5"
4" x 8" to 2" x 6" 4" x 8" to 3" x 6"		4.0"	1.38"	9.38"
6" x 10" to 4" x 8" 8" x 12" to 4" x 8"		6.0"	4.0"	16.0"
8" x 12" to 6" x 10"		6.0"	4.0"	16.0"
10" x 14" to 8" x 12"		7.0"	4.0"	16.0"
10" x 16" to 10" x 14" 12" x 16" to 10" x 14"		7.0"	4.0"	18.0"
12" x 18" to 10" x 16" 12" x 18" to 12" x 16"		7.0"	4.0"	18.0"



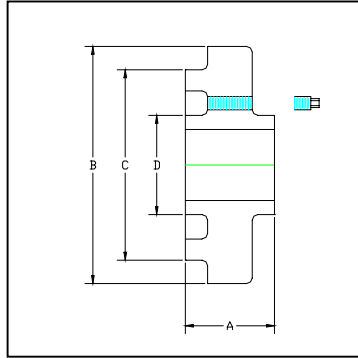
Restraint Dogbone
Part Number + Size Code



SDR RATING	11 x 11	11 x 17	11 x 26	11 x 32.5	17 x 17	17 x 26	17 x 32.5	26 x 26	26 x 32.5	32 x 32
PART # Number	4951	4952	4953			4954		4955	4956	

SIZE (SDRxSDR)	Size code	A	B	C	D
1" x 3" (11 x 11)	134	2.5"	6.0"	3.5"	1.315"
1" x 4" (11 x 17)	401	2.5"	6.625"	4.5"	1.315"
1.5" x 4" (11 x 17)	415	2.5"	6.625"	4.5"	1.9"
2" x 4" (11 x 17)	420	2.5"	6.625"	4.5"	2.375"
2" x 6" (11 x 17)	530	3.0"	8.625"	6.625"	2.375"
3" x 6" (11 x 17)	531	3.0"	8.625"	6.625"	3.5"
3" x 6" (11 x 26)	531	3.0"	8.625"	6.625"	3.5"
3" x 8" (11 x 17)	582	4.0"	10.75"	8.625"	3.5"
4" x 8" (11 x 17)	583	4.0"	10.75"	8.625"	4.5"
4" x 8" (11 x 26)	583	3.0"	10.75"	8.625"	4.5"
4" x 8" (17 x 26)	583	3.0"	10.75"	8.625"	4.5"
6" x 10" (11 x 17)	627	4.0"	12.75"	10.75"	6.625"
6" x 10" (17 x 26)	627	3.0"	12.75"	10.75"	6.625"
6" x 10" (26 x 26)	627	3.0"	12.75"	10.75"	6.625"
8" x 12" (17 x 26)	660	4.0"	15.0"	12.75"	8.625"
8" x 12" (26 x 32)	660	3.0"	15.0"	12.75"	8.625"
10" x 14" (17 x 26)	702	4.0"	18.0"	14.0"	10.75"
10" x 16" (17 x 26)	633	4.0"	20.0"	16.0"	10.75"
10" x 16" (26 x 26)	633	4.0"	20.0"	16.0"	10.75"
12" x 16" (26 x 26)	690	4.0"	20.0"	16.0"	12.75"
12" x 18" (17 x 26)	711	4.0"	22.0"	18.0"	12.75"
14" x 20" (17 x 26)	717	4.0"	24.0"	20.0"	14.0"
16" x 22" (26 x 32)	735	4.0"	26.0"	22.0"	16.0"
18" x 24" (26 x 32)	738	4.0"	28.0"	24.0"	18.0"
20" x 28" (26 x 32)	785	4.0"	32.0"	28.0"	20.0"
22" x 30" (26 x 32)	789	4.0"	34.0"	30.0"	22.0"
24" x 32" (26 x 32)	793	4.0"	36.0"	32.0"	24.0"

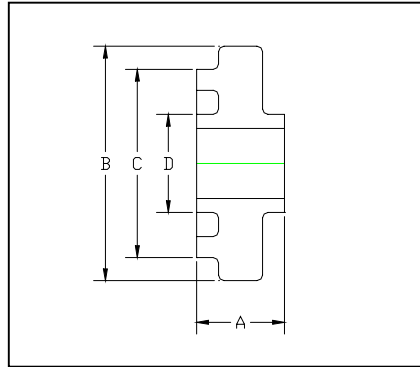
**Force Transfer Dogbone End Termination
with Plug
Part Number + Size Code**



SDR RATING	11 x 11	11 x 17	11 x 26	17 x 26	26 x 26	26 x 32.5
PART # Number						

SIZE (SDRxSDR)	Size code	A	B	C	D
1" x 3" (11 x 11)	134	2.5"	6.0"	3.5"	1.315"
1" x 4" (11 x 17)	401	2.5"	6.625"	4.5"	1.315"
1.5" x 4" (11 x 17)	415	2.5"	6.625"	4.5"	1.9"
2" x 4" (11 x 17)	420	2.5"	6.625"	4.5"	2.375"
2" x 6" (11 x 17)	530	3.0"	8.625"	6.625"	2.375"
3" x 6" (11 x 17)	531	3.0"	8.625"	6.625"	3.5"
3" x 6" (11 x 26)	531	3.0"	8.625"	6.625"	3.5"
3" x 6" (17 x 26)	531	3.0"	8.625"	6.625"	3.5"
4" x 8" (11 x 17)	583	4.0"	10.75"	8.625"	4.5"
4" x 8" (11 x 26)	583	3.0"	10.75"	8.625"	4.5"
4" x 8" (17 x 26)	583	3.0"	10.75"	8.625"	4.5"
6" x 10" (11 x 17)	627	4.0"	12.75"	10.75"	6.625"
6" x 10" (17 x 26)	627	3.0"	12.75"	10.75"	6.625"
6" x 10" (26 x 26)	627	3.0"	12.75"	10.75"	6.625"
8" x 12" (17 x 26)	660	4.0"	15.0"	12.75"	8.625"
8" x 12" (26 x 32)	660	3.0"	15.0"	12.75"	8.625"
10" x 14" (17 x 26)	702	4.0"	18.0"	14.0"	10.75"
12" x 16" (26 x 26)	690	4.0"	20.0"	16.0"	12.75"
12" x 18" (17 x 26)	711	4.0"	22.0"	18.0"	12.75"

Restraint Dogbone End Termination
Part Number + Size Code



SDR RATING	11 x 11	11 x 17	11 x 26	17 x 26	26 x 26	26 x 32.5
PART # Number						

SIZE (SDRxSDR)	Size Code	A	B	C	D
1" x 3" (11 x 11)	134	2.5"	6.0"	3.5"	1.315"
1" x 4" (11 x 17)	401	2.5"	6.625"	4.5"	1.315"
1.5" x 4" (11 x 17)	415	2.5"	6.625"	4.5"	1.9"
2" x 4" (11 x 17)	420	2.5"	6.625"	4.5"	2.375"
2" x 6" (11 x 17)	530	3.0"	8.625"	6.625"	2.375"
3" x 6" (11 x 17)	531	3.0"	8.625"	6.625"	3.5"
3" x 6" (11 x 26)	531	3.0"	8.625"	6.625"	3.5"
3" x 6" (17 x 26)	531	3.0"	8.625"	6.625"	3.5"
4" x 8" (11 x 17)	583	4.0"	10.75"	8.625"	4.5"
4" x 8" (11 x 26)	583	3.0"	10.75"	8.625"	4.5"
4" x 8" (17 x 26)	583	3.0"	10.75"	8.625"	4.5"
6" x 10" (11 x 17)	627	4.0"	12.75"	10.75"	6.625"
6" x 10" (17 x 26)	627	3.0"	12.75"	10.75"	6.625"
6" x 10" (26 x 26)	627	3.0"	12.75"	10.75"	6.625"
8" x 12" (17 x 26)	660	4.0"	15.0"	12.75"	8.625"
8" x 12" (26 x 32)	660	3.0"	15.0"	12.75"	8.625"
10" x 14" (17 x 26)	702	4.0"	18.0"	14.0"	10.75"
10" x 16" (17 x 26)	633	4.0"	20.0"	16.0"	10.75"
10" x 16" (26 x 26)	633	4.0"	20.0"	16.0"	10.75"
12" x 16" (26 x 26)	690	4.0"	20.0"	16.0"	12.75"
12" x 18" (17 x 26)	711	4.0"	22.0"	18.0"	12.75"
14" x 20" (17 x 26)	717	4.0"	24.0"	20.0"	14.0"
16" x 22" (26 x 32)	735	4.0"	26.0"	22.0"	16.0"
18" x 24" (26 x 32)	738	4.0"	28.0"	24.0"	18.0"
20" x 28" (26 x 32)	785	4.0"	32.0"	28.0"	20.0"
22" x 30" (26 x 32)	789	4.0"	34.0"	30.0"	22.0"
24" x 32" (26 x 32)	793	4.0"	36.0"	32.0"	24.0"