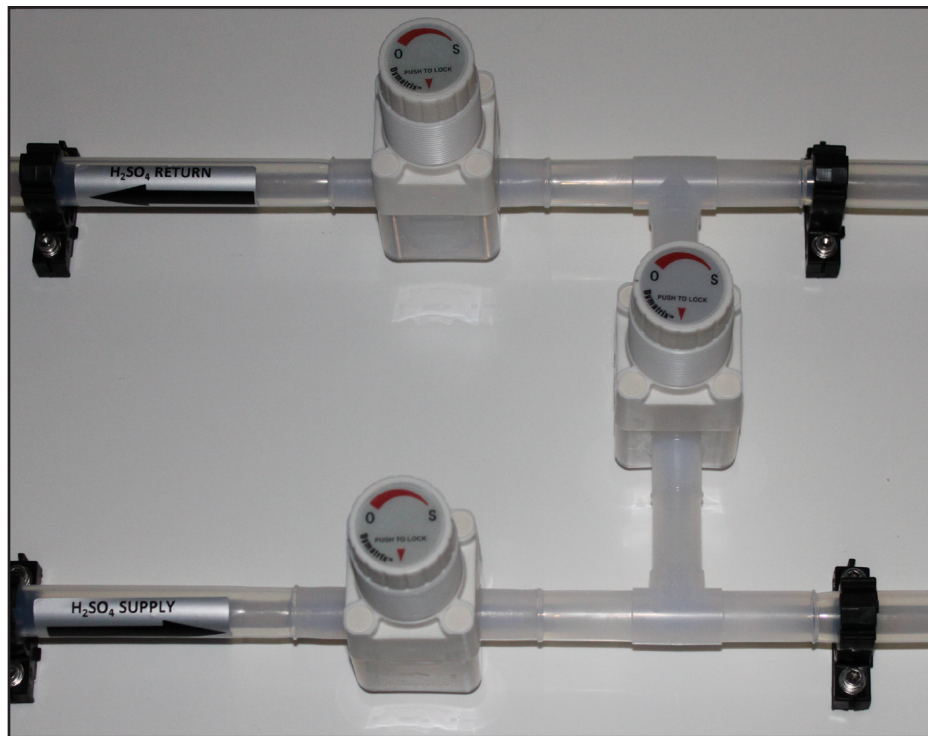


# PURFLON®

PFA Piping

## Ultra High Purity PFA Piping System



Purflon®

# Purflon®

Perfluoroalkoxy (PFA)

High Purity Piping System

REV:HP0114PU

**Materials:** High purity perfluoroalkoxy (PFA) resin with low fluoride leachout. UL V-0 flammability rating.

**Pipe:** ASTM D3307 - 02

**Fittings:** ASTM D3307 - 01

**Valves:** ASTM D3307 - 04

**Pipe Production:** Dimensions and tolerances shall exceed ISO 15494 requirement.

**Fitting Production:** Dimensions and tolerances shall exceed ISO 15494 requirement.

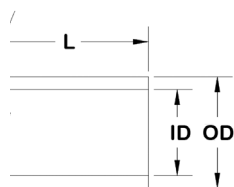
**Pressure Rating:** Pipe shall be pressure rated in accordance with ASTM D2837 and DIN 8077 for hydrostatic design basis. Pipe shall be manufactured to standard dimensional ratio (SDR) 21.

Based on continuous service life of 50 years at 68° F (20° C).

SDR21 150psi (PN10)

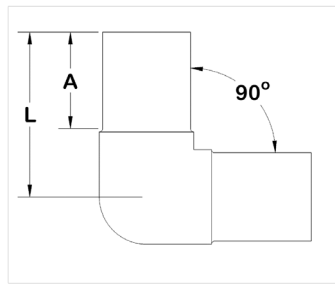
PN = Nominal pressure in bar.

**Joining:** Available methods shall be according to the schedule below  
DVS 2207-6 Non Contact IR: 1/2" (20mm) through 1" (32mm)  
Beadless Fusion: 1/2" (20mm) through 1" (32mm)



**PIPE**

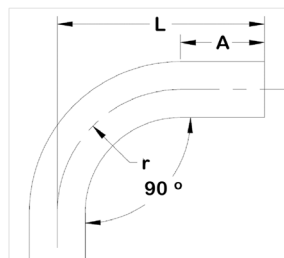
Size		Dimensions			SDR 21 / PN 10 / 150 PSI
mm	inches	OD	ID	Length	Part Number
20	1/2	0.787	0.638	10'	884301005
25	3/4	0.984	0.83	10'	884301007
32	1	1.26	1.071	10'	884301010



**90 DEGREE ELBOW**

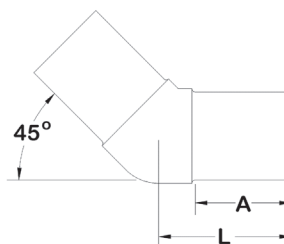
Size		Dimensions		SDR 21 / PN 10 / 150 PSI
mm	inches	A	L	Part Number
20	1/2	1.5	2.22	884302005
25	3/4	1.5	2.31	884302007
32	1	1.48	2.46	884302010

Purflon®



### 90 DEGREE SWEEP ELBOW

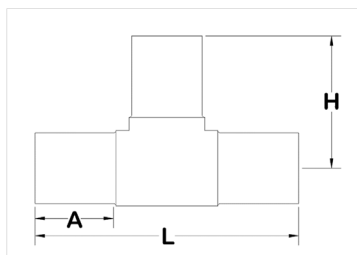
Size		Dimensions			SDR 21 / PN 10 / 150 PSI
mm	inches	r	A	L	Part Number
20	1/2	2.5	1.5	4	884302105
25	3/4	2.5	1.5	4	884302107
32	1	3	1.5	4.5	884302110



### 45 DEGREE ELBOW

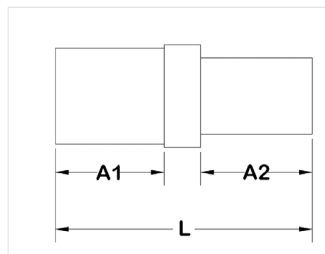
Size		Dimensions		SDR 21 / PN 10 / 150 PSI
mm	inches	A	L	Part Number
20	1/2	1.5	2	884314005
25	3/4	1.5	2	884314007
32	1	1.5	2	884314010





**TEE**

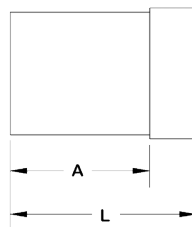
Size		Dimensions			SDR 21 / PN 10 / 150 PSI
mm	inches	A	L	H	Part Number
20	1/2	1.5	4.43	2.22	884318005
25	3/4	1.5	4.6	2.31	884318007
32	1	1.48	4.88	2.46	884318010



**CONCENTRIC REDUCER**

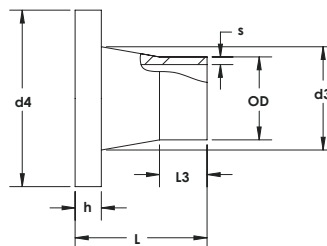
Size		Dimensions			SDR 21 / PN 10 / 150 PSI
mm	inches	A1	A2	L	Part Number
25 x 20	3/4 x 1/2	1.5	1.5	3.5	884324101
32 x 25	1 x 3/4	1.5	1.5	3.5	884324131

Purflon®



### END CAP

Size		Dimensions		SDR 21 / PN 10 / 150 PSI
mm	inches	A	L	Part Number
20	1/2	1.5	2	884343005
25	3/4	1.5	2	884343007
32	1	1.49	2.01	884343010

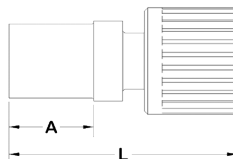


### STUB END\* (FLANGE ADAPTER)

Size		Dimensions						SDR 21 / PN 16 / 230 PSI	
mm	inch	h	s	L	L3	d3	d4	Weight (lbs)	Part Number
20	1/2	0.236	0.075	1.970	1.221	1.064	1.752	0.07	884340005
25	3/4	0.256	0.075	1.969	1.181	1.299	2.130	0.11	884340007
32	1	0.276	0.094	1.969	1.024	1.575	2.500	0.15	884340010

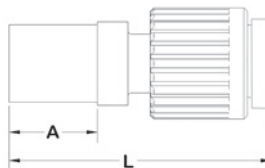
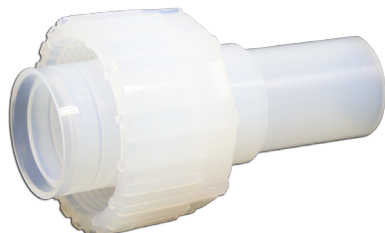
\*Requires backing ring. See page 118.





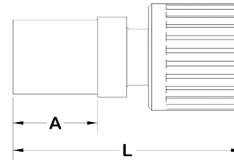
**Weld x S300 ADAPTER**

Size	Dimensions		SDR 21 / PN 10 / 150 PSI
mm x inch	A	L	Part Number
20mm x 1/2"	1.5	3	884306005
20mm x 3/4"	1.5	3.4	884306101
25mm x 3/4"	1.5	3.4	884306007
25mm x 1"	1.5	3.9	884306131
32mm x 1"	1.5	3.9	884306010



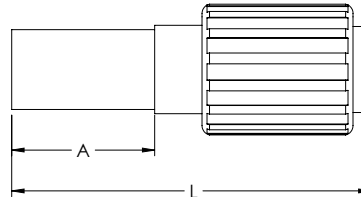
**WELD x S300 SPACE SAVER ADAPTER**

Size	Dimensions		SDR 21 / PN 10 / 150 PSI
mm x inch	A	L	Part Number
20mm x 1/2"	1.5	3	884305005
20mm x 3/4"	1.5	3.4	884305101
25mm x 3/4"	1.5	3.4	884305007
25mm x 1"	1.5	3.9	884305131
32mm x 1"	1.5	3.9	884305010



**WELD x FLARE ADAPTER**

Size	Dimensions			SDR 21 / PN 10 / 150 PSI
	Flare	A	L	Part Number
20mm x 1/2"	1/2"	1.5	3.4	884319005
20mm x 3/4"	3/4"	1.5	3.6	884319007
32mm x 1"	1"	1.5	3.9	884319010

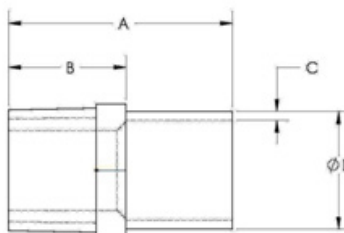


**WELD x FLARE SPACE SAVER ADAPTER**

Size	Dimensions			SDR 21 / PN 10 / 150 PSI
	Flare	A	L	Part Number
20mm x 1/2"	1/2"	1.5	3.4	884309005
20mm x 3/4"	3/4"	1.5	3.6	884309101
25mm x 3/4"	3/4"	1.5	3.6	884309007
25mm x 1"	1	1.5	4.0	884309131
32mm x 1"	1	1.5	4.0	884309010



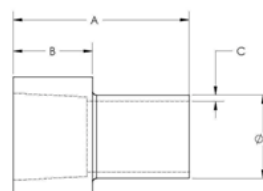




### MALE ADAPTER

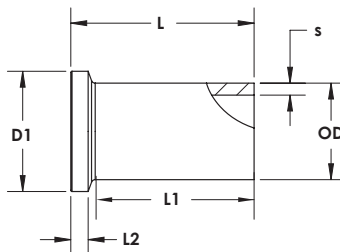
Size	Dimensions			SDR 21 / PN 10 / 150 PSI
mm x inch	A	B	C	Part Number
20 x 1/2	2.35	1.22	0.07	884347005
20 x 3/4	2.35	1.29	0.07	884347101
25 x 3/4	2.42	1.29	0.09	884347007
25 x 1	2.94	1.60	0.12	884347131
32 x 1	3.14	1.74	0.12	884347010

Purflon®



### FEMALE ADAPTER

Size	Dimensions			SDR 21 / PN 10 / 150 PSI
mm x inch	A	B	C	Part Number
20 x 1/2	2.00	.88	0.07	884349005
20 x 3/4	2.00	1.00	0.07	884349101
25 x 3/4	2.62	1.15	0.09	884349007
25 x 1	2.69	1.30	0.12	884349131
32 x 1	2.75	1.36	0.12	884349010

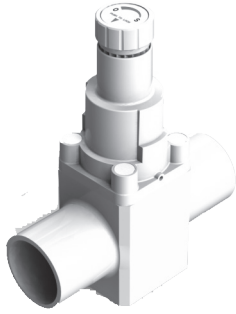


### SANITARY ADAPTER

Size	Dimensions					SDR 21 / MOP 120 PSI
mm x inch	s	L	L1	L2	D1	Part Number
20 x 3/4	0.098	1.500	1.30	0.142	0.984	884348101
25 x 1	0.106	1.500	1.16	0.110	1.984	884348131
32 x 1-1/2	0.114	1.500	0.75	0.110	1.984	884349168

Please see page 122 for gaskets and clamps.  
Maximum operating pressure is 120psi.





**MANUAL DIAPHRAGM VALVE\***

OD		SDR 21 / PN 10 / 150 PSI
mm	inches	Part Number
20	1/2	884385405
25	3/4	884385407
32	1	884385410

\* Please consult factory prior to placing order for diaphragm valves.

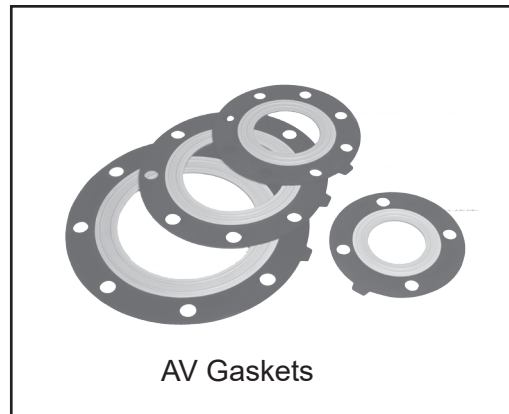
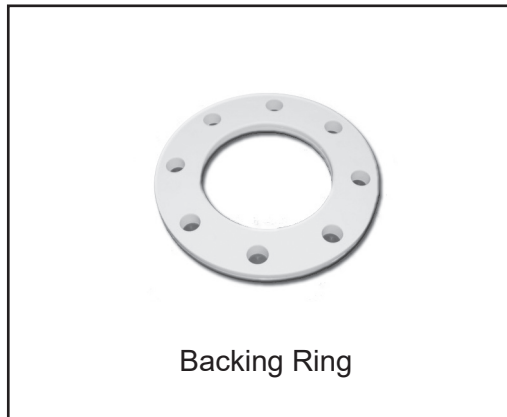
Purflon®

**NC DIAPHRAGM VALVE\***

OD		SDR 21 / PN 10 / 150 PSI
mm	inches	Part Number
20	1/2	884386405
25	3/4	884386407
32	1	884386410

\* Please consult factory prior to placing order for diaphragm valves.

# Piping System Accessories



**BACKING RING\***

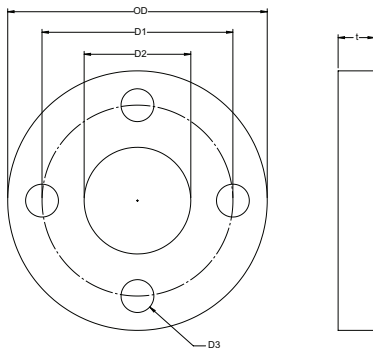


**Backing Ring**

Size		Description	PP - Grey	PP - Black*
mm	inch		Part Number	Part Number
20	1/2	ANSI 150#	5046005	5146005
25	3/4	ANSI 150#	5046007	5146007
32	1	ANSI 150#	5046010	5146010
40	1-1/4	ANSI 150#	5046012	5146012
50	1-1/2	ANSI 150#	5046015	5146015
63	2	ANSI 150#	5046020	5146020
75	2-1/2	ANSI 150#	5046025	5146025
90	3	ANSI 150#	5046030	5146030
110	4	ANSI 150#	5046040	5146040
160	6	ANSI 150#	5046060	5146060
200/225	8	ANSI 150#	5046080	5146080
250/280	10	ANSI 150#	5046100	5146100
315	12	ANSI 150#	5046120	5146120

\*DIN bolt pattern PN 10/16 available.  
\*PP black UV resistant.

Accessories



Size		Dimensions						
mm	inch	OD	D1	D2	D3	t	Weight	# of Bolt Holes
20	1/2	3.740	2.380	1.102	0.630	0.472	0.463	4
25	3/4	4.016	2.750	1.339	0.630	0.472	0.529	4
32	1	4.488	3.120	1.654	0.630	0.630	0.807	4
40	1-1/4	5.118	3.500	2.008	0.630	0.630	1.235	4
50	1-1/2	5.236	3.880	2.441	0.630	0.709	1.193	4
63	2	6.378	4.750	3.071	0.787	0.709	1.788	4
75	2-1/2	7.244	5.500	3.622	0.787	0.709	2.352	4
90	3	7.638	6.000	4.370	0.787	0.709	2.271	4
110	4	9.016	7.500	5.236	0.787	0.709	3.342	8
160	6	11.142	9.500	7.008	0.866	0.945	5.115	8
200/225	8	13.583	11.750	9.291	0.866	0.945	7.474	8
250/280	10	16.220	14.250	11.339	0.984	1.024	13.669	12
315	12	19.173	17.000	13.307	0.984	1.260	28.748	12

225mm (9") and 200mm (8") stub ends use 8" ANSI backing rings.  
Consult factory for backing rings larger than 315mm (12").

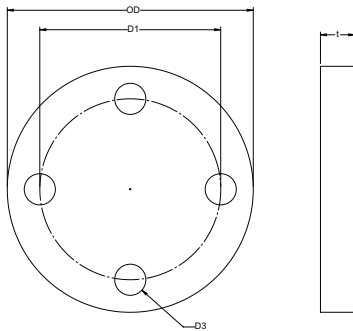
### PP BLIND FLANGE



**PP  
Blind Flange**

Size		Description	230 PSI Part Number
mm	inch		
20	1/2	Steel Insert, ANSI 150#	5042005
25	3/4	Steel Insert, ANSI 150#	5042007
32	1	Steel Insert, ANSI 150#	5042010
40	1-1/4	Steel Insert, ANSI 150#	5042012
50	1-1/2	Steel Insert, ANSI 150#	5042015
63	2	Steel Insert, ANSI 150#	5042020
75	2-1/2	Steel Insert, ANSI 150#	5042025
90	3	Steel Insert, ANSI 150#	5042030
110	4	Steel Insert, ANSI 150#	5042040
160	6	Steel Insert, ANSI 150#	5042060
200	8	Steel Insert, ANSI 150#	5042080
250	10	Steel Insert, ANSI 150#	5042100
315	12	Steel Insert, ANSI 150#	5042120

**Accessories**



Size		OD	D1	D3	t	Weight (lbs)	# of Bolt Holes
mm	inch						
20	1/2	3.740	2.380	0.630	0.472	0.569	4
25	3/4	4.016	2.750	0.630	0.472	0.750	4
32	1	4.488	3.120	0.630	0.630	1.118	4
40	1-1/4	5.118	3.500	0.630	0.630	1.614	4
50	1-1/2	5.236	3.880	0.630	0.709	1.775	4
63	2	6.378	4.750	0.787	0.709	2.690	4
75	2-1/2	7.244	5.500	0.787	0.709	3.400	4
90	3	7.638	6.000	0.787	0.709	4.057	4
110	4	9.016	7.500	0.787	0.709	6.504	8
160	6	11.142	9.500	0.866	0.945	11.244	8
200	8	13.583	11.750	0.866	0.945	17.461	8
250	10	16.220	14.250	0.984	1.024	33.400	12
315	12	19.173	17.000	0.984	1.260	63.493	12

### PVDF BLIND FLANGE LINER

Size		Description	Not Pressure Rated Part Number
mm	inch		
20	1/2	ANSI 150#	5427005
25	3/4	ANSI 150#	5427007
32	1	ANSI 150#	5427010
40	1-1/4	ANSI 150#	5427012
50	1-1/2	ANSI 150#	5427015
63	2	ANSI 150#	5427020
75	2-1/2	ANSI 150#	5427025
90	3	ANSI 150#	5427030
110	4	ANSI 150#	5427040
160	6	ANSI 150#	5427060
200	8	ANSI 150#	5427080

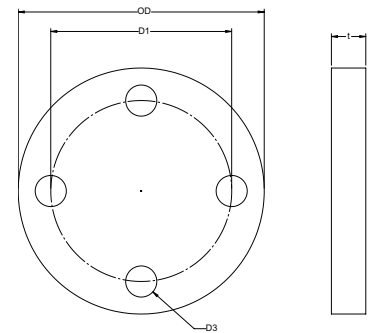


**PVDF  
Blind Flange Liner**

Machined item non-returnable / non-cancelable.  
Not for pressure applications unless utilized with pressure rated blind flange see above.

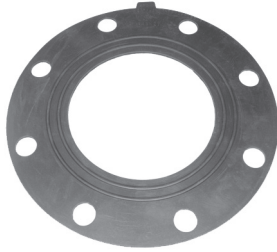
Accessories

Size		OD	D1	D3	t	Weight (lbs)	# of Bolt Holes
mm	inch						
20	1/2	3.740	2.380	0.630	0.669	0.258	4
25	3/4	4.016	2.750	0.630	0.669	0.340	4
32	1	4.488	3.120	0.630	0.669	0.507	4
40	1-1/4	5.118	3.500	0.630	0.669	0.732	4
50	1-1/2	5.236	3.880	0.630	0.669	0.805	4
63	2	6.378	4.750	0.787	0.669	1.220	4
75	2-1/2	7.244	5.500	0.787	0.669	1.542	4
90	3	7.638	6.000	0.787	0.669	1.840	4
110	4	9.016	7.500	0.787	0.669	2.950	8
160	6	11.142	9.500	0.866	0.669	5.100	8
200	8	13.583	11.750	0.866	0.669	7.920	8
250	10	16.220	14.250	0.984	0.669	15.150	12
315	12	19.173	17.000	0.984	0.669	28.800	12



**AV Gaskets**

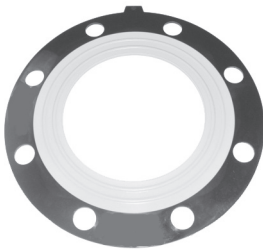
Please consult current Valve List Price book to ensure the list prices on all AV gaskets are current. Current Valve Price book supersedes this pricing.



**EPDM**  
Durometer 65-70



**PVDF**  
Durometer 83-85



**PTFE**  
Durometer 95-100

**CT GASKETS -PTFE\***



**PTFE**

\* Non stock-special order

**AV Gaskets - EPDM**

Size	Description	Part Number
1/2"	EPDM	3113005
3/4"	EPDM	3113007
1"	EPDM	3113010
1-1/4"	EPDM	3113012
1-1/2"	EPDM	3113015
2"	EPDM	3113020
2-1/2"	EPDM	3113025
3"	EPDM	3113030
4"	EPDM	3113040
6"	EPDM	3113060
8"	EPDM	3113080
10"	EPDM	3113100
12"	EPDM	3113120

**AV Gaskets - PVDF**

Size	Description	Part Number
1/2"	PVDF	3115005
3/4"	PVDF	3115007
1"	PVDF	3115010
1-1/2"	PVDF	3115015
2"	PVDF	3115020
3"	PVDF	3115030
4"	PVDF	3115040
6"	PVDF	3115060
8"	PVDF	3115080
10"	PVDF	3115100

**AV Gaskets - PTFE**

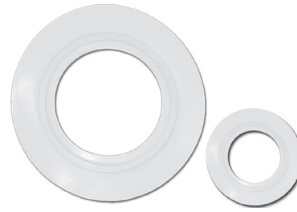
Size	Description	Part Number
1/2"	PTFE	3114005
3/4"	PTFE	3114007
1"	PTFE	3114010
1-1/4"	PTFE	3114012
1-1/2"	PTFE	3114015
2"	PTFE	3114020
2-1/2"	PTFE	3114025
3"	PTFE	3114030
4"	PTFE	3114040
6"	PTFE	3114060
8"	PTFE	3114080
10"	PTFE	3114100
12"	PTFE	3114120

General grade, available cleaned and bagged.

Size		Description	Part Number
mm	inch		
355	14	ANSI 150#	3116140
400	16	ANSI 150#	3116160
450	18	ANSI 150#	3116180
500	20	ANSI 150#	3116200
630	24	ANSI 150#	3116240

**Accessories**





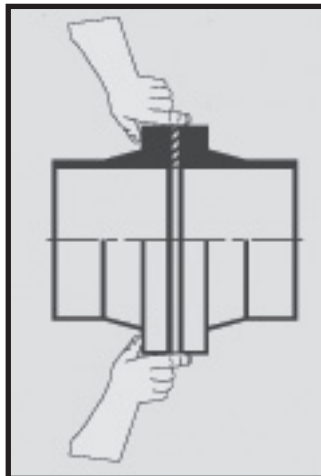
Seal Clean Gaskets

**SEAL CLEAN ePTFE GASKET**

Size		Description	SDR 11 Part Number	SDR 21 Part Number	SDR 33 Part Number
mm	inch				
20	1/2	ZDL, Low Torque	3175005	3171005	3173005
25	3/4	ZDL, Low Torque	3175007	3171007	3173007
32	1	ZDL, Low Torque	3175010	3171010	3173010
40	1-1/4	ZDL, Low Torque	3175012	3171012	3173012
50	1-1/2	ZDL, Low Torque	3175015	3171015	3173015
63	2	ZDL, Low Torque	3175020	3171020	3173020
75	2-1/2	ZDL, Low Torque	3175025	3171025	3173025
90	3	ZDL, Low Torque	3175030	3171030	3173030
110	4	ZDL, Low Torque	3175040	3171040	3173040
160	6	ZDL, Low Torque	3175060	3171060	3173060
200	8	ZDL, Low Torque	3175080	3171080	3173080
225	9	ZDL, Low Torque	3175090	3171090	3173090
250	10	ZDL, Low Torque	3175100	3171100	3173100
315	12	ZDL, Low Torque	3175120	3171120	3173120

Seal Clean gaskets match pipe system ID, be sure to choose correct SDR.  
Not a full face gasket, OD matches Stub End shoulder OD.

Accessories



**Asahi/America Tip**

-Inside diameter of the gasket matches with the ID of the stub end, creating no dead space.

-Outside diameter of the gasket lines up with the OD of the stub end for easy installation.



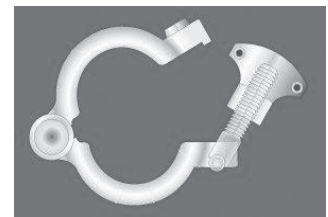
**SANITARY GASKETS**

Description	EPDM	FKM	PTFE
	Part Number	Part Number	Part Number
3/4" TC Gasket	540920207	540920307	540920407
1" TC Gasket	540920210	540920310	540920410
1-1/2" TC Gasket	540920215	540920315	540920415
2" TC Gasket	540920220	540920320	540920420
2-1/2" TC Gasket	540920225	540920325	540920425
3" TC Gasket	540920230	540920330	540920430
4" TC Gasket	540920240	540920340	540920440

**SANITARY CLAMP CAPS**

Description	PP-N	PVDF
	Part Number	Part Number
3/4" END CAP	540920507	540920607
1-1/2" END CAP	540920515	540920615
2" END CAP	540920520	540920620
2-1/2" END CAP	540920525	540920625
3" END CAP	540920530	540920630
4" END CAP	540920540	540920640

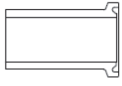

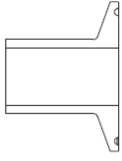
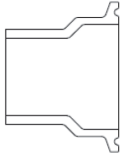
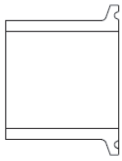

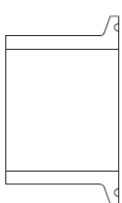

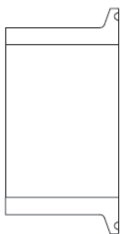

Description	Stainless Steel	PP-G
	Part Number	Part Number
3/4" SANITARY CLAMPS	540920007	540920107
1-1/2" SANITARY CLAMPS	540920015	540920115
2" SANITARY CLAMPS	540920020	540920120
2-1/2" SANITARY CLAMPS	540920025	540920125
3" SANITARY CLAMPS	540920030	540920130
4" TSANITARY CLAMPS	540920040	540920140

**Sanitary Clamps**

**TRICLAMP SIZE COMPARISON**

**Triclamps** or **sanitary adapters** are used primarily on stainless steel systems to ease sanitation processes. The quickly disconnected fitting offers a hygienic connection between different pieces of equipment. Gaskets are designed to match the ID of the pipe and provide a smooth transition between each side.

Since **passivation** of thermoplastic piping systems is not required, sanitary adapters are not widely used. It does not make a great transition from SS to plastic systems and can be used to connect to existing equipment

Pipe OD	Cap	Clamp	Gasket
20mm			3/4" Mini 3/4"
25mm			1-1/2" 1"
32mm			1-1/2" 1-1/2"
40mm			1-1/2" 1-1/2"
50mm			2" 2"
63mm			2-1/2" 2-1/2"

**Asahi Product Offering**

All of Asahi's piping materials offer sanitary triclamp connections as well as several different standard gaskets and clamp materials. **For custom options, please consult Engineering.**

- Fitting:** PVDF, PPn, PP, ECTFE
- Gasket:** EPDM, FKM and PTFE
- Clamp:** Stainless, nylon
- Size:** 20-63mm pressure rated up to 6" x 160mm non-rated

Accessories



Replacement Diaphragm

**REPLACEMENT DIAPHRAGM - T-342/343 HIGH PURITY DIAPHRAGM VALVES**

Size		DN	Spigot Size (mm)	EPDM	PTFE/EPDM	TFM/EPDM*
mm	inch			Part Number	Part Number	Part Number
20	1/2	15	<i>Use 25mm 3/4" DN20</i>			
25	3/4	20	20, 25, 20/20 - 25/25	3174007	3172007	3172107
32	1	25	32, 32/20 - 110/32	3174010	3172010	-
40	1-1/4	32	<i>Use 50mm 1-1/2" DN40</i>			
50	1-1/2	40	40, 50	3174015	3172015	3172115
63	2	50	63, 63/40 - 63/63, 75/40 - 110/63	3174020	3172020	3172120
90	3	80	75, 90	3174030	3172030	-
110	4	100	110, 140	3174040	3172040	-

Accessories

\* TFM/EPDM diaphragm is recommended instead of PTFE for use on actuated diaphragm valves (DN40, DN50). PTFE/EPDM and TFM/EPDM diaphragms cannot be reused. EPDM diaphragms may be reused if in good condition. DN refers to the metric nominal dimension, size can be found on diaphragm tab.

How to Read Spigot Size Combos				
Run	Branch	All Sizes Up to	Run	Branch
63	/ 40	-	63	/ 63

Sizes included: 63mm x 40mm, 63mm x 50mm, 63mm x 63mm.

**REPLACEMENT MANUAL BONNET - T-342/343**

Size		DN	Spigot Size (mm)	Part Number
mm	inch			
20	1/2	15	<i>Use 25mm 3/4" DN20</i>	
25	3/4	20	20, 25, 20/20 - 25/25	6365007
32	1	25	32, 32/20 - 110/32	6365010
40	1-1/4	32	<i>Use 50mm 1-1/2" DN40</i>	
50	1-1/2	40	40, 50	6365015
63	2	50	63, 63/40 - 63/63, 75/40 - 110/63	6365020
90	3	80	75, 90	6365030
110	4	100	110, 140	6365040



Manual Actuator

DN refers to the metric nominal dimension, size can be found on diaphragm tab.

**All valve accessories listed here are only for T-342/T343 high purity diaphragm valves**



**REPLACEMENT ACTUATOR - T-342/343 HIGH PURITY DIAPHRAGM VALVES**

Size	Spigot Size (mm)	Normally Closed Part Number	Normally Open Part Number	Air to Air Part Number
DN15, DN20	20, 25, 20/20 - 25/25	6363007	6364007	6362007
DN32	32, 32/20 - 110/32	6363010	6364010	6362010
Special DN50	<i>Special N/O 75/40, 90/40, 110/40</i>	-	6364012*	-
DN 32, DN40	40, 50	6363015	6364015	6362015
DN50	63, 63/40 - 63/63, 75/40 - 110/63	6363020	6364020	6362020

\*Only for use with 75/40, 90/40, 110/40 air to close actuator.

Accessories

**ACTUATION ACCESSORIES - T-342/343 HIGH PURITY DIAPHRAGM VALVES**

Size	Min/Max Stroke Limitor	Part Number
20, 25, 32, X/20 - X/32	Adjustable mechanical limit mounts on top of actuator	6387010
40, 50, 63, X/40 - X/63		6387020

Size	Max Stroke Limitor	Part Number
20, 25, 32, X/20 - X/32	Mounts on top of actuator	6387098
40, 50, 63, X/40 - X/63		6387099

Size	Type 8697 Electric Position Feedback	Part Number
20, 25, 32, X/20 - X/32	Mechanical limit switches, inductive mounts on top of actuator, 10-30 V DC	6388010
40, 50, 63, X/40 - X/63		6388020

Size	Type 1071 Magnetic Position Indicator Feedback	Part Number
20, 25, 32, X/20 - X/32	Magnetic inductive position feedback mounts on side of actuator, 10-30 V DC	6389010
40, 50, 63, X/40 - X/63		6389020

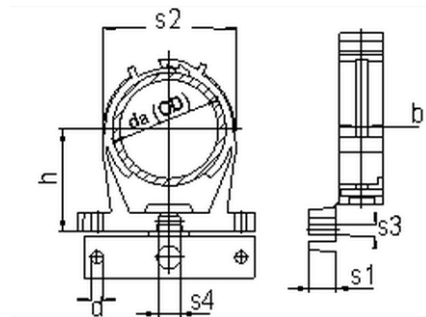
Size	Manual Override Handwheel	Part Number
20, 25, 32, X/20 - X/32	Mounts on top of actuator	6387088
40, 50, 63, X/40 - X/63		6387089

All valve accessories listed here are only for T-342/343 high purity diaphragm valves.

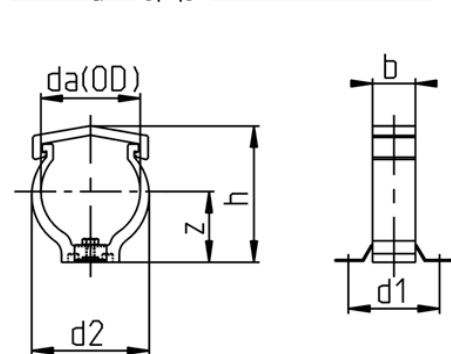


**PIPE CLIPS**

Size		Description	Part Number
mm	inch		
20	1/2	Snap Clips	5349005
25	3/4	Snap Clips	5349007
32	1	Snap Clips	5349010
40	1-1/4	Snap Clips	5349012
50	1-1/2	Snap Clips	5349015
63	2	2 Piece Clip	5246020
75	2-1/2	2 Piece Clip	5246025
90	3	2 Piece Clip	5246030
110	4	2 Piece Clip	5246040
160	6	2 Piece Clip	5246060
200	8	2 Piece Clip	5246080
225	9	2 Piece Clip	5246090



Size		h	s1	s2	s3/d	s4	b
mm	inch						
20	1/2	1.06	0.24	1.14	0.26	0.35	0.55
25	3/4	1.18	0.40	1.34	0.26	0.35	0.63
32	1	1.24	0.45	1.54	0.26	0.35	0.63
40	1-1/4	1.46	0.55	1.97	0.26	0.35	0.69
50	1-1/2	1.61	0.59	2.20	0.26	0.35	0.79



Size		z	d1	d2	h	b
mm	inch					
63	2	2.04	2.91	3.07	3.74	1.16
75	2-1/2	2.40	3.23	3.70	4.41	1.57
90	3	2.63	3.22	4.25	5.03	1.57
110	4	3.14	3.22	5.39	5.98	1.57
160	6	4.56	4.33	7.24	8.54	2.36
200	8	5.82	4.33	9.37	10.50	2.36
225	9	6.22	4.33	10.28	11.46	2.36



**PIPE CLIPS**

Size		Description	Part Number
mm	inch		
250	10	Snap Clips	5350100
280	11	Snap Clips	5350110
315	12	Snap Clips	5350120
355	14	Snap Clips	5350140
400	16	Snap Clips	5350160

10-16" pipe clips are special order.

Size		B	D	E	d3	Z1	Z2
mm	inch						
250	10	7.88	0.98	1.57	0.51	7.19	5.61
280	11	7.88	0.98	1.57	0.51	7.78	6.12
315	12	8.86	0.98	1.57	0.51	8.6	6.75
355	14	10.12	1.18	1.97	0.67	10.87	8.27
400	16	11.34	1.18	1.97	0.67	11.85	9.06

