

**PIPE\* - SIMULTANEOUS WELD** 5 meter (16.4') lengths

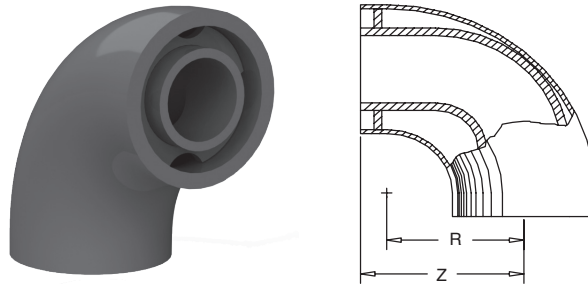
Size		PRO150 x PRO150					Part Number
		SDR 11/ PN 10/ 150 PSI					
mm	inch	OD1	OD2	ID1	ID2		
32 x 90	1 x 3	1.26	3.54	1.02	2.90	5210134	
63 x 110	2 x 4	2.48	4.33	2.02	3.54	5210420	
90 x 160	3 x 6	3.54	6.30	2.90	5.15	5210531	
110 x 200	4 x 8	4.33	7.87	3.54	6.44	5210583	
160 x 250	6 x 10	6.30	9.84	5.15	8.05	5210627	
200 x 315	8 x 12	7.87	12.40	6.44	10.14	5210660	
250 x 355	10 x 14	9.84	13.98	8.05	11.43	5210702	

Size		PRO150 x PRO45					Part Number
		SDR 11 x 33/ PN 10 x 3 / 150 x 45 PSI					
mm	inch	OD1	OD2	ID1	ID2		
63 x 110	2 x 4	2.48	4.33	2.02	4.06	5312420	
90 x 160	3 x 6	3.54	6.30	2.90	5.91	5312531	
110 x 200	4 x 8	4.33	7.87	3.54	7.39	5312583	
160 x 250	6 x 10	6.30	9.84	5.15	9.23	5312627	
200 x 315	8 x 12	7.87	12.40	6.44	11.63	5312660	
250 x 355	10 x 14	9.84	13.98	8.05	13.10	5312702	
315 x 400	12 x 16	12.40	15.75	10.14	14.77	5312690	
355 x 450	14 x 18	13.98	17.72	11.43	16.61	5312710	
400 x 500	16 x 20	15.75	19.68	12.88	18.46	5312726	

Size		PRO45 x PRO45					Part Number
		SDR 33 / PN 3 / 45 PSI					
mm	inch	OD1	OD2	ID1	ID2		
110 x 200	4 x 8	4.33	7.87	4.06	7.39	5388583	
160 x 250	6 x 10	6.30	9.84	5.91	9.23	5388627	
200 x 315	8 x 12	7.87	12.40	7.39	11.63	5388660	
250 x 355	10 x 14	9.84	13.98	9.24	13.10	5388702	
315 x 400	12 x 16	12.40	15.75	11.64	14.77	5388690	
355 x 450	14 x 18	13.98	17.72	13.12	16.61	5388710	
400 x 500	16 x 20	15.75	19.68	14.78	18.46	5388726	

\*Pipe is sold in 5 meter lengths (16.4').

Double Wall Piping System



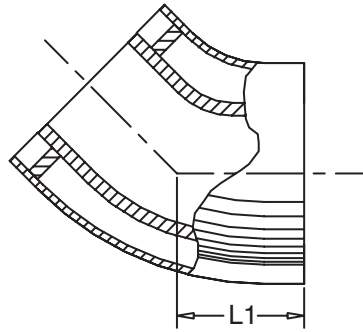
### 90 DEGREE ELBOW

Size		PRO150 x PRO150		
		SDR 11/ PN 10/ 150 PSI		
mm	inch	Z	R	Part Number
32 x 90	1 x 3	3.94	3.35	5203134
63 x 110	2 x 4	4.88	4.13	5203420
90 x 160	3 x 6	7.08	6.10	5203531
110 x 200	4 x 8	7.87	7.68	5203583
160 x 250	6 x 10	11.22	10.04	5203627
200 x 315	8 x 12	13.39	11.81	5203660
250 x 355	10 x 14	13.40	11.81	5203702

Size		PRO150 x PRO45		
		SDR 11 x 33/ PN 10 x 3 / 150 x 45 PSI		
mm	inch	Z	R	Part Number
63 x 110	2 x 4	4.72	4.33	5304420
90 x 160	3 x 6	6.69	6.10	5304531
110 x 200	4 x 8	8.66	7.76	5304583
160 x 250	6 x 10	11.41	10.43	5304627
200 x 315	8 x 12	13.38	11.81	5304660
250 x 355	10 x 14	13.39	11.81	5304702
315 x 400	12 x 16	13.58	11.81	5304690
355 x 450	14 x 18	17.71	15.80	5304710
400 x 500	16 x 20	17.71	15.80	5304726

Size		PRO45 x PRO45		
		SDR 33 / PN 3 / 45 PSI		
mm	inch	Z	R	Part Number
110 x 200	4 x 8	8.66	7.76	5372583
160 x 250	6 x 10	11.41	10.43	5372627
200 x 315	8 x 12	13.38	11.81	5372660
250 x 355	10 x 14	13.40	11.80	5372702
315 x 400	12 x 16	13.80	11.80	5372690
355 x 450	14 x 18	17.71	15.80	5372710
400 x 500	16 x 20	17.71	15.80	5372726

Duo-Pro®  
 Pro150, Pro45



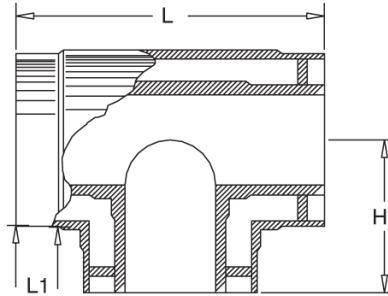
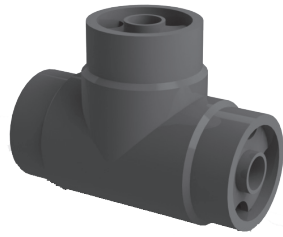
**45 DEGREE ELBOW**

**Double Wall  
Piping System**

Size		PRO150 x PRO150	
		SDR 11/ PN 10/ 150 PSI	
mm	inch	L1	Part Number
32 x 90	1 x 3	4.00	5205134
63 x 110	2 x 4	4.25	5205420
90 x 160	3 x 6	6.00	5205531
110 x 200	4 x 8	6.50	5205583
160 x 250	6 x 10	8.50	5205627
200 x 315	8 x 12	10.00	5205660
250 x 355	10 x 14	8.50	5205702

Size		PRO150 x PRO45	
		SDR 11 x 33/ PN 10 x 3 / 150 x 45 PSI	
mm	inch	L1	Part Number
63 x 110	2 x 4	5.00	5307420
90 x 160	3 x 6	6.00	5307531
110 x 200	4 x 8	6.00	5307583
160 x 250	6 x 10	6.00	5307627
200 x 315	8 x 12	6.50	5307660
250 x 355	10 x 14	8.25	5307702
315 x 400	12 x 16	9.50	5307690
355 x 450	14 x 18	12.00	5307710
400 x 500	16 x 20	14.00	5307726

Size		PRO45 x PRO45	
		SDR 33 / PN 3 / 45 PSI	
mm	inch	L1	Part Number
110 x 200	4 x 8	6.00	5370583
160 x 250	6 x 10	6.00	5370627
200 x 315	8 x 12	6.25	5370660
250 x 355	10 x 14	8.25	5370702
315 x 400	12 x 16	9.50	5370690
355 x 450	14 x 18	12.00	5370710
400 x 500	16 x 20	14.00	5370726



**TEE**

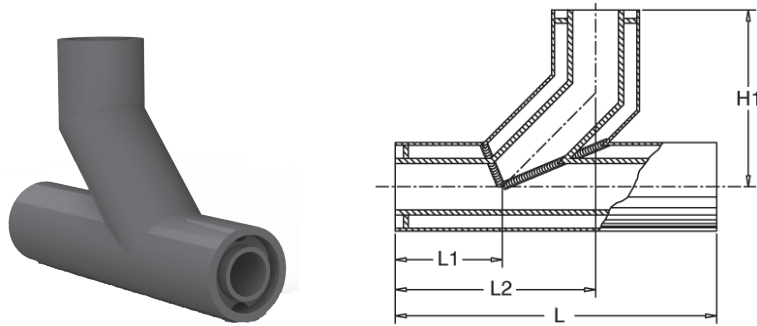
Size		PRO150 x PRO150		
		SDR 11/ PN 10/ 150 PSI		
mm	inch	L	H	Part Number
32 x 90	1 x 3	8.15	4.17	5201134
63 x 110	2 x 4	9.45	4.72	5201420
90 x 160	3 x 6	12.4	6.3	5201531
110 x 200	4 x 8	15.59	7.8	5201583
200 x 315	8 x 12	21.26	10.83	5201660
250 x 355	10 x 14	26.57	13.46	5201702

Note: 6x10 PRO150 x PRO150 TEE can be made custom. Contact factory for options.

Size		PRO150 x PRO45		
		SDR 11 x 33/ PN 10 x 3 / 150 x 45 PSI		
mm	inch	L	H	Part Number
63 x 110	2 x 4	8.46	4.29	5301420
90 x 160	3 x 6	10.94	5.51	5301531
110 x 200	4 x 8	13.39	6.69	5301583
160 x 250	6 x 10	17.25	8.66	5301627
200 x 315	8 x 12	21.06	10.63	5301660
250 x 355	10 x 14	26.93	13.46	5301702
315 x 400	12 x 16	27.36	13.78	5301690
355 x 450	14 x 18	35.43	17.72	5301710
400 x 500	16 x 20	35.43	17.72	5301726

Size		PRO45 x PRO45		
		SDR 33 / PN 3 / 45 PSI		
mm	inch	L	H	Part Number
110 x 200	4 x 8	17.24	8.66	5374583
160 x 250	6 x 10	21.06	10.63	5374627
200 x 315	8 x 12	26.93	13.46	5374660
250 x 355	10 x 14	27.36	13.78	5374702
315 x 400	12 x 16	35.43	17.72	5374690
355 x 450	14 x 18	35.43	17.72	5374710
400 x 500	16 x 20	35.43	17.72	5374726

Duo-Pro®  
 Pro150, Pro45



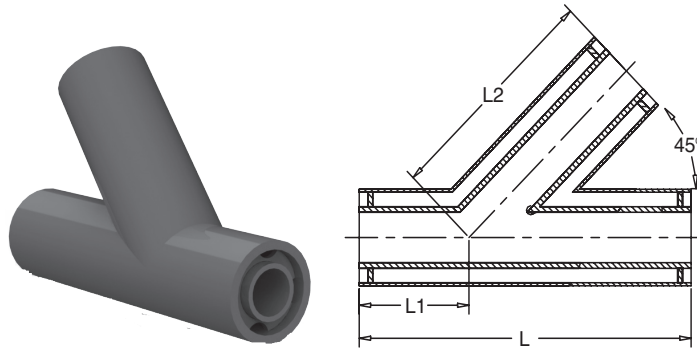
**SANITARY TEE**

Size		PRO150 x PRO150 SDR 11 / MOP 5 PSI					Part Number
mm	inch	L	L1	L2	H1		
32 x 90	1 x 3	18.00	6.00	12.00	10.00	5227134	
63 x 110	2 x 4	18.00	6.00	12.00	10.00	5227420	
90 x 160	3 x 6	24.00	8.00	16.00	13.00	5227531	
110 x 200	4 x 8	30.00	10.00	20.00	16.00	5227583	
160 x 250	6 x 10	36.00	12.00	24.00	18.50	5227627	
200 x 315	8 x 12	42.00	14.00	28.00	21.75	5227660	
250 x 355	10 x 14	48.00	16.00	32.00	24.25	5227702	

Size		PRO150 x PRO45 SDR 11 x 33/ MOP 5 PSI					Part Number
mm	inch	L	L1	L2	H1		
63 x 110	2 x 4	18.00	6.00	12.00	10.00	5327420	
90 x 160	3 x 6	24.00	8.00	16.00	13.00	5327531	
110 x 200	4 x 8	30.00	10.00	20.00	16.00	5327583	
160 x 250	6 x 10	36.00	12.00	24.00	18.50	5327627	
200 x 315	8 x 12	42.00	14.00	28.00	21.75	5327660	
250 x 355	10 x 14	48.00	16.00	32.00	24.25	5327702	
315 x 400	12 x 16	54.00	18.00	36.00	28.00	5327690	
355 x 450	14 x 18	60.00	20.00	40.00	31.25	5327710	
400 x 500	16 x 20	66.00	22.00	44.00	34.75	5327726	

Size		PRO45 x PRO45 SDR 33/ MOP 5 PSI					Part Number
mm	inch	L	L1	L2	H1		
110 x 200	4 x 8	30.00	10.00	20.00	16.00	5382583	
160 x 250	6 x 10	36.00	12.00	24.00	18.50	5382627	
200 x 315	8 x 12	42.00	14.00	28.00	21.75	5382660	
250 x 355	10 x 14	48.00	16.00	32.00	24.25	5382702	
315 x 400	12 x 16	54.00	18.00	36.00	28.00	5382690	
355 x 450	14 x 18	60.00	20.00	40.00	31.25	5382710	
400 x 500	16 x 20	66.00	22.00	44.00	34.75	5382726	

Double Wall  
Piping System



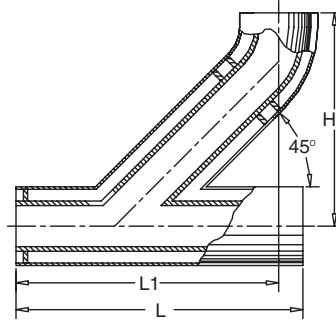
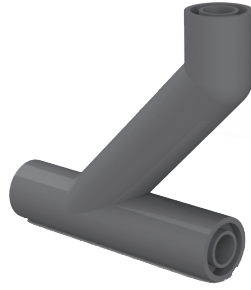
**LATERAL**

Size		PRO150 x PRO150 SDR 11/ MOP 5 PSI			
mm	inch	L	L1	L2	Part Number
32 x 90	1 x 3	18	6	12	5239134
63 x 110	2 x 4	18	6	12	5239420
90 x 160	3 x 6	24	8	16	5239531
110 x 200	4 x 8	30	10	20	5239583
160 x 250	6 x 10	26	12	24	5239627
200 x 315	8 x 12	42	14	28	5239660
250 x 355	10 x 14	48	16	32	5239702

Size		PRO150 x PRO45 SDR 11 x 33/ MOP 5 PSI			
mm	inch	L	L1	L2	Part Number
63 x 110	2 x 4	18	6	12	5340420
90 x 160	3 x 6	24	8	16	5340531
110 x 200	4 x 8	30	10	20	5340583
160 x 250	6 x 10	36	12	24	5340627
200 x 315	8 x 12	42	14	28	5340660
250 x 355	10 x 14	28	16	32	5340702
315 x 400	12 x 16	54	18	36	5340690
355 x 450	14 x 18	60	20	40	5340710
400 x 500	16 x 20	64	21	48	5340726

Size		PRO45 x PRO45 SDR 33/ MOP 5 PSI			
mm	inch	L	L1	L2	Part Number
110 x 200	4 x 8	20	10	20	5378583
160 x 250	6 x 10	36	12	24	5378627
200 x 315	8 x 12	42	14	28	5378660
250 x 355	10 x 14	48	16	32	5378702
315 x 400	12 x 16	54	18	36	5378690
355 x 450	14 x 18	60	20	40	5378710
400 x 500	16 x 20	64	21	48	5378726

Duo-Pro®  
 Pro150, Pro45



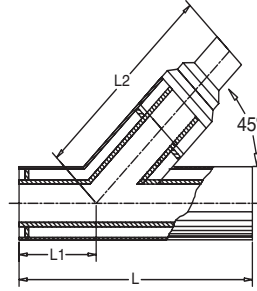
**LATERAL WITH 1/8 BEND**

Size		PRO150 x PRO150			
		SDR 11/ MOP 5 PSI			
mm	inch	L	L1	H1	Part Number
32 x 90	1 x 3	18	17.25	15.25	5237134
63 x 110	2 x 4	18	18	16.5	5237420
90 x 160	3 x 6	24	23.25	21.5	5237531
110 x 200	4 x 8	30	28.5	25	5237583
160 x 250	6 x 10	36	34.75	31.25	5237627
200 x 315	8 x 12	42	40.75	36.75	5237660
250 x 355	10 x 14	48	44.5	37	5237702

Size		PRO150 x PRO45			
		SDR 11 x 33/ MOP 5 PSI			
mm	inch	L	L1	H1	Part Number
63 x 110	2 x 4	18	18	16.5	5338420
90 x 160	3 x 6	24	23.25	21.5	5338531
110 x 200	4 x 8	30	28.5	24	5338583
160 x 250	6 x 10	36	33	26.75	5338627
200 x 315	8 x 12	42	38.125	30.375	5338660
250 x 355	10 x 14	48	45.5	39.125	5338702
315 x 400	12 x 16	54	51.75	45.375	5338690
355 x 450	14 x 18	60	56.5	48.25	5338710
400 x 500	16 x 20	64	60	52.5	5338726

Size		PRO45 x PRO45			
		SDR 33/ MOP 5 PSI			
mm	inch	L	L1	H1	Part Number
110 x 200	4 x 8	30	38.5	24	5380583
160 x 250	6 x 10	36	33	26.75	5380627
200 x 315	8 x 12	42	38.125	30.375	5380660
250 x 355	10 x 14	48	45.5	39.125	5380702
315 x 400	12 x 16	54	51.75	45.375	5380690
355 x 450	14 x 18	60	56.5	48.25	5380710
400 x 500	16 x 20	64	60	52.5	5380726

Double Wall Piping System

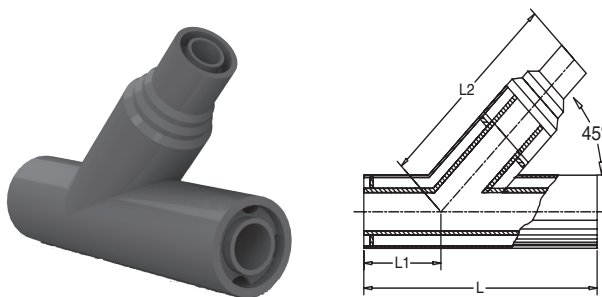


### REDUCING LATERAL

Size		PRO150 x PRO150 SDR 11/ MOP 5 PSI			
		L	L1	L2	Part Number
mm	inch				
(90 x 63)(160 x 110)	(3 x 2)(6 x 4)	24	8	16.5	5235743
(110 x 63)(200 x 110)	(4 x 2)(8 x 4)	30	10	25.25	5235744
(140 x 90)(200 x 160)	(4 x 3)(8 x 6)	30	10	22	5235746
(160 x 63)(250 x 110)	(6 x 2)(10 x 4)	36	12	30	5235892
(160 x 90)(250 x 160)	(6 x 3)(10 x 6)	36	12	27	5235747
(160 x 110)(250 x 200)	(6 x 4)(10 x 8)	36	12	25.25	5235748
(200 x 63)(315 x 110)	(8 x 2)(12 x 4)	42	14	36	5235890
(200 x 90)(315 x 160)	(8 x 3)(12 x 6)	42	14	34.5	5235896
(200 x 110)(315 x 200)	(8 x 4)(12 x 8)	42	14	32.75	5235895
(200 x 160)(315 x 250)	(8 x 6)(12 x 10)	42	14	29.75	5235893
(250 x 90) (355 x 160)	(10 x 3)(14 x 6)	48	16	39	5235898
250 x 110(355 x 200)	(10 x 4)(14 x 8)	48	16	37.5	5235903
(250 x 160) (355 x 250)	(10 x 6)(14 x 10)	48	16	34.5	5235902
(250 x 200)(355 x 315)	(10 x 8)(14 x 12)	48	16	30.5	5235899

Duo-Pro®  
 Pro150, Pro45

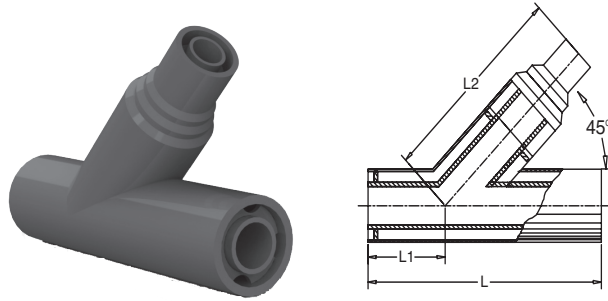




**REDUCING LATERAL**

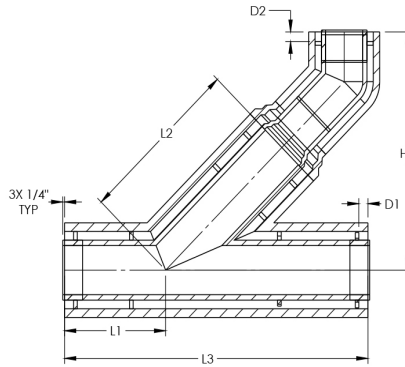
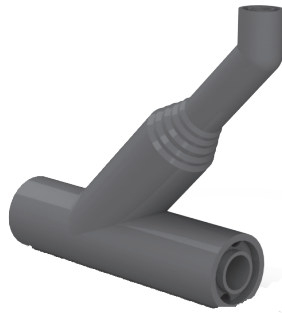
Size		PRO150 x PRO45			
		SDR 11 x 33/ MOP 5 PSI			
mm	inch	L	L1	L2	Part Number
(90 x 63)(160 x 110)	(3 x 2)(6 x 4)	24	8	16.5	5336743
(110 x 63)(200 x 110)	(4 x 2)(8 x 4)	30	10	25.25	5336744
(140 x 90)(200 x 160)	(4 x 3)(8 x 6)	30	10	22	5336746
(160 x 63)(250 x 110)	(6 x 2)(10 x 4)	36	12	31.75	5336892
(160 x 90)(250 x 160)	(6 x 3)(10 x 6)	36	12	27	5336747
(160 x 110)(250 x 200)	(6 x 4)(10 x 8)	36	12	25.25	5336748
(200 x 63)(315 x 110)	(8 x 2)(12 x 4)	42	14	36.37	5336890
(200 x 90)(315 x 160)	(8 x 3)(12 x 6)	42	14	34.5	5336896
(200 x 110)(315 x 200)	(8 x 4)(12 x 8)	42	14	32.75	5336895
(200 x 160)(315 x 250)	(8 x 6)(12 x 10)	42	14	29.75	5336893
(250 x 90)(355 x 160)	(10 x 3)(14 x 6)	48	16	40.37	5336898
250 x 110)(355 x 200)	(10 x 4)(14 x 8)	48	16	37.5	5336903
(250 x 160)(355 x 250)	(10 x 6)(14 x 10)	48	16	34.5	5336902
(250 x 200)(355 x 315)	(10 x 8)(14 x 12)	48	16	30.5	5336899
(315 x 110)(400 x 200)	(12 x 4)(16 x 8)	54	18	45	5336923
(315 x 160)(400 x 200)	(12 x 6)(16 x 10)	54	18	43.5	5336904
(315 x 200)(400 x 355)	(12 x 8)(16 x 12)	54	18	40.5	5336915
(355 x 250)(400 x 355)	(12 x 10)(16 x 14)	54	18	36.15	5336910
(355 x 200)(450 x 355)	(14 x 8)(18 x 12)	60	20	40	5336916
(355 x 250)(450 x 355)	(14 x 10)(18 x 14)	60	20	40	5336921
(355 x 315)(450 x 400)	(14 x 12)(18 x 16)	60	20	40	5336928
(400 x 200)(500 x 315)	(16 x 8)(20 x 12)	64	22	44	5336917
(400 x 250)(500 x 450)	(16 x 10)(20 x 14)	64	22	44	5336922
(400 x 315)(500 x 400)	(16 x 12)(20 x 16)	64	22	44	5336912
(400 x 355)(500 x 450)	(16 x 14)(20 x 18)	64	22	44	5336913

Double Wall Piping System



**REDUCING LATERAL**

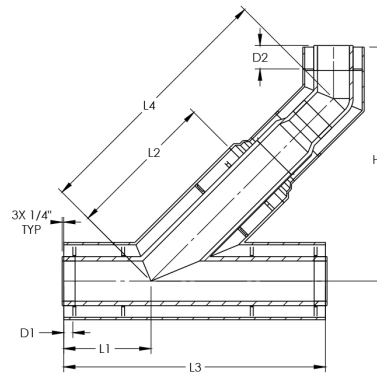
Size		PRO45 x PRO45 SDR 33/ MOP 5 PSI			
mm	inch	L	L1	L3	Part Number
(160 x 110)(250 x 200)	(6 x 4)(10 x 8)	36	12	25.25	5383748
(200 x 63)(315 x 110)	(8 x 2)(12 x 4)	42	14	36.37	5383890
(200 x 90)(315 x 160)	(8 x 3)(12 x 6)	42	14	34.50	5383896
(200 x 110)(315 x 200)	(8 x 4)(12 x 8)	42	14	32.75	5383895
(200 x 160)(315 x 250)	(8 x 6)(12 x 10)	42	14	29.75	5383893
(250 x 90)(355 x 160)	(10 x 3)(14 x 6)	48	16	40.37	5383898
250 x 110)(355 x 200)	(10 x 4)(14 x 8)	48	16	37.50	5383903
(250 x 160)(355 x 250)	(10 x 6)(14 x 10)	48	16	34.50	5383902
(250 x 200)(355 x 315)	(10 x 8)(14 x 12)	48	16	30.50	5383899
(315 x 110)(400 x 200)	(12 x 4)(16 x 8)	54	18	44.00	5383923
(315 x 160)(400 x 200)	(12 x 6)(16 x 10)	54	18	41.00	5383904
(315 x 200)(400 x 355)	(12 x 8)(16 x 12)	54	18	37.50	5383915
(355 x 250)(400 x 355)	(12 x 10)(16 x 14)	54	18	35.65	5383910
(355 x 200)(450 x 355)	(14 x 8)(18 x 12)	60	20	40	5383916
(355 x 250)(450 x 355)	(14 x 10)(18 x 14)	60	20	40	5383921
(355 x 315)(450 x 400)	(14 x 12)(18 x 16)	60	20	40	5383928
(400 x 200)(500 x 315)	(16 x 8)(20 x 12)	64	22	44	5383917
(400 x 250)(500 x 450)	(16 x 10)(20 x 14)	64	22	44	5383922
(400 x 315)(500 x 400)	(16 x 12)(20 x 16)	64	22	44	5383912
(400 x 355)(500 x 450)	(16 x 14)(20 x 18)	64	22	44	5383913



**REDUCING LATERAL WITH 1/8 BEND**

Size		PRO150 x PRO150						
		SDR 11/ MOP 5 PSI						
mm	inch	L1	L2	L3	H1	D1	D2	Part Number
(90 x 63)(160 x 110)	(3 x 2)(6 x 4)	8.00	10.25	24.00	20.25	0.75	.625	5237743
(110 x 63)(200 x 110)	(4 x 2)(8 x 4)	10.00	16.50	30.00	26.25	1.00	.625	5237744
(140 x 90)(200 x 160)	(4 x 3)(8 x 6)	10.00	16.50	36.00	25.75	1.00	.075	5237746
(160 x 63)(250 x 110)	(6 x 2)(10 x 4)	12.00	18.25	36.00	28.00	1.25	.625	5237892
(160 x 90)(250 x 160)	(6 x 3)(10 x 6)	12.00	18.25	36.00	29.25	1.25	0.75	5237747
(160 x 110)(250 x 200)	(6 x 4)(10 x 8)	12.00	18.25	36.00	28.00	1.25	1.00	5237748
(200 x 63)(315 x 110)	(8 x 2)(12 x 4)	14.00	22.75	42.00	35.00	1.25	.625	5237890
(200 x 90)(315 x 160)	(8 x 3)(12 x 6)	14.00	22.75	42.00	34.75	1.25	.075	5237896
(200 x 110)(315 x 200)	(8 x 4)(12 x 8)	14.00	22.75	42.00	33.50	1.25	1.00	5237895
(200 x 160)(315 x 250)	(8 x 6)(12 x 10)	14.00	22.75	42.00	31.25	1.25	1.25	5237893
(250 x 90)(355 x 160)	(10 x 3)(14 x 6)	16.00	25.00	48.00	36.00	1.25	0.75	5237898
250 x 110)(355 x 200)	(10 x 4)(14 x 8)	16.00	25.00	48.00	37.00	1.25	1.00	5237903
(250 x 160)(355 x 250)	(10 x 6)(14 x 10)	16.00	25.00	48.00	34.50	1.25	1.25	5237902
(250 x 200)(355 x 315)	(10 x 8)(14 x 12)	16.00	25.00	48.00	32.00	1.25	1.25	5237899

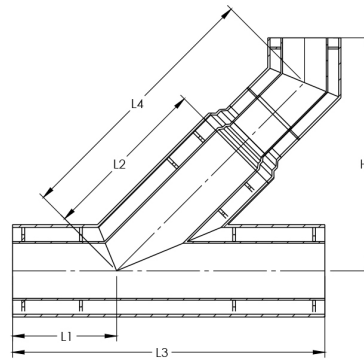
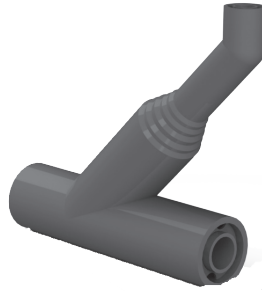
Double Wall Piping System



**REDUCING LATERAL WITH 1/8 BEND**

Size		PRO150 x PRO45							
		SDR 11 x 33/ MOP 5							
mm	inch	L1	L2	L3	L4	H1	D1	D2	Part Number
(90 x 63)(160 x 110)	(3 x 2)(6 x 4)	8.00	12.50	24.00	21.50	20.25	.75	.625	5338743
(110 x 63)(200 x 110)	(4 x 2)(8 x 4)	10.00	16.50	30.00	30.00	26.25	1.00	.625	5338744
(140 x 90)(200 x 160)	(4 x 3)(8 x 6)	10.00	16.50	36.00	28.00	25.75	1.00	.625	5338746
(160 x 63)(250 x 110)	(6 x 2)(10 x 4)	12.00	18.25	36.00	33.75	29.25	1.25	.625	5338892
(160 x 90)(250 x 160)	(6 x 3)(10 x 6)	12.00	18.25	36.00	32.75	29.25	1.25	.75	5338747
(160 x 110)(250 x 200)	(6 x 4)(10 x 8)	12.00	18.25	36.00	31.00	28.00	1.25	1.00	5338748
(200 x 90)(315 x 160)	(8 x 3)(12 x 6)	14.00	22.75	42.00	40.50	34.75	1.25	.75	5338896
(200 x 110)(315 x 200)	(8 x 4)(12 x 8)	14.00	22.75	42.00	38.75	33.50	1.25	1.00	5338895
(200 x 160)(315 x 250)	(8 x 6)(12 x 10)	14.00	22.75	42.00	35.75	31.25	1.25	1.25	5338893
250 x 110)(355 x 200)	(10 x 4)(14 x 8)	16.00	25.00	48.00	43.50	37.00	1.25	1.00	5338903
(250 x 160)(355 x 250)	(10 x 6)(14 x 10)	16.00	25.00	48.00	40.50	34.50	1.25	1.25	5338902
(250 x 200)(355 x 315)	(10 x 8)(14 x 12)	16.00	25.00	48.00	37.00	32.00	1.25	1.25	5338899
(315 x 110)(400 x 200)	(12 x 4)(16 x 8)	18.00	26.50	54.00	44.00	37.00	1.25	1.00	5338923
(315 x 160)(400 x 200)	(12 x 6)(16 x 10)	18.00	26.50	54.00	44.00	37.00	1.25	1.25	5338904
(315 x 200)(400 x 355)	(12 x 8)(16 x 12)	18.00	26.50	54.00	41.50	35.00	1.25	1.25	5338915
(355 x 250)(400 x 355)	(12 x 10)(16 x 14)	18.00	26.50	54.00	41.50	35.00	1.25	1.25	5338910
(355 x 200)(450 x 355)	(14 x 8)(18 x 12)	20.00	40.00	60.00	46.00	38.25	1.25	1.00	5338916
(355 x 250)(450 x 355)	(14 x 10)(18 x 14)	20.00	40.00	60.00	46.00	38.25	1.25	1.25	5338921
(355 x 315)(450 x 400)	(14 x 12)(18 x 16)	20.00	40.00	60.00	46.50	38.50	1.25	1.25	5338928

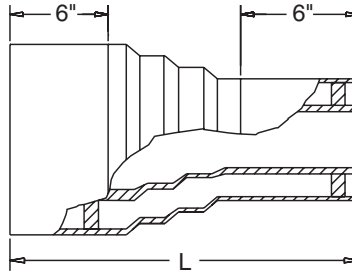
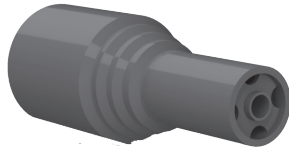
Duo-Pro®  
 Pro150, Pro45



**REDUCING LATERAL WITH 1/8 BEND**

**Double Wall  
Piping System**

Size		PRO45 x PRO45						Part Number
		SDR 33/ MOP 5 PSI						
mm	inch	L1	L2	L3	L4	H1		
(160 x 110)(250 x 200)	(6 x 4)(10 x 8)	12.00	18.25	36.00	31.00	28.00	5380748	
(200 x 63)(315 x 110)	(8 x 2)(12 x 4)	14.00	22.75	42.00	38.75	32.00	5380890	
(200 x 110)(315 x 200)	(8 x 4)(12 x 8)	14.00	22.75	42.00	38.75	33.50	5380895	
(200 x 160)(315 x 250)	(8 x 6)(12 x 10)	14.00	22.75	42.00	35.75	31.25	5380893	
(250 x 90) (355 x 160)	(10 x 3)(14 x 6)	16.00	25.00	48.00	42.00	37.00	5280898	
250 x 110)(355 x 200)	(10 x 4)(14 x 8)	16.00	25.00	48.00	43.50	37.00	5380903	
(250 x 160) (355 x 250)	(10 x 6)(14 x 10)	16.00	25.00	48.00	40.50	34.50	5380902	
(250 x 200)(355 x 315)	(10 x 8)(14 x 12)	16.00	25.00	48.00	37.00	32.00	5380899	
(315 x 110)(400 x 200)	(12 x 4)(16 x 8)	18.00	26.50	54.00	42.00	36.00	5380923	
(315 x 160) (400 x 200)	(12 x 6)(16 x 10)	18.00	26.50	54.00	44.00	37.00	5380904	
(315 x 200)(400 x 355)	(12 x 8)(16 x 12)	18.00	26.50	54.00	41.50	35.00	5380915	
(355 x 250) (400 x 355)	(12 x 10)(16 x 14)	18.00	26.50	54.00	45.00	37.00	5380910	
(355 x 200)(450 x 355)	(14 x 8)(18 x 12)	20.00	40.00	60.00	46.00	38.25	5380916	
(355 x 250) (450 x 355)	(14 x 10)(18 x 14)	20.00	40.00	60.00	46.00	38.25	5380921	
(355 x 315) (450 x 400)	(14 x 12)(18 x 16)	20.00	40.00	60.00	46.00	38.50	5380928	

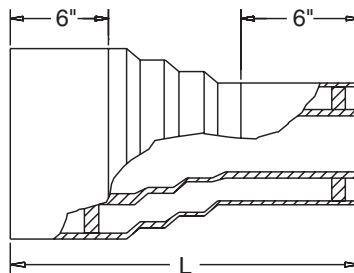
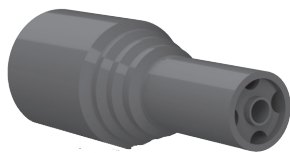


**CONCENTRIC REDUCER**

Size		PRO150 x PRO150 SDR 11/ PN 10/ 150 PSI	
mm	inch	L	Part Number
(63 x 32)(110 x 90)	(2 x 1)(4 x 3)	7.125	5256740
(90 x 32)(160 x 90)	(3 x 1)(6 x 3)	16.5	5256741
(90 x 63)(160 x 110)	(3 x 2)(6 x 4)	15.25	5256743
(110 x 63)(200 x 110)	(4 x 2)(8 x 4)	17.75	5256744
(110 x 90)(200 x 160)	(4 x 3)(8 x 6)	14.5	5256746
(160 x 110)(250 x 200)	(6 x 4)(10 x 8)	15.75	5256748
(160 x 90)(250 x 160)	(6 x 3)(10 x 6)	17.75	5256747
(160 x 63)(250 x 110)	(6 x 2)(10 x 4)	19	5256892
(200 x 160)(315 x 250)	(8 x 6)(12 x 10)	16	5256893
(200 x 110)(315 x 200)	(8 x 4)(12 x 8)	19	5256895
(200 x 90)(315 x 160)	(8 x 3)(12 x 6)	21	5256896
(250 x 200)(355 x 315)	(10 x 8)(14 x 12)	14.5	5256899
(250 x 160)(355 x 250)	(10 x 6)(14 x 10)	18.5	5256902
(250 x 110)(355 x 200)	(10 x 4)(14 x 8)	21.5	5256903
(315 x 250)(400 x 355)	(12 x 10)(16 x 14)	15	5256910
(315 x 200)(400 x 315)	(12 x 8)(16 x 12)	16.8	5256915
(315 x 160)(400 x 250)	(12 x 6)(16 x 10)	20.5	5256904
(355 x 315)(450 x 400)	(14 x 12)(18 x 16)	15	5256928
(355 x 250)(450 x 355)	(14 x 10)(18 x 14)	17	5256921
(355 x 200)(450 x 315)	(14 x 8)(18 x 12)	18.5	5256916

Size		PRO150 x PRO45 SDR 11 x 33/ PN 10 x 3 / 150 x 45 PSI	
mm	inch	L	Part Number
(63 x 32)(110 x 90)	(2 x 1)(4 x 3)	7.125	5361740
(90 x 32)(160 x 90)	(3 x 1)(6 x 3)	16.5	5361741
(90 x 63)(160 x 110)	(3 x 2)(6 x 4)	15.25	5361743
(110 x 63)(200 x 110)	(4 x 2)(8 x 4)	17.75	5361744
(110 x 90)(200 x 160)	(4 x 3)(8 x 6)	14.5	5361746
(160 x 110)(250 x 200)	(6 x 4)(10 x 8)	15.75	5361748
(160 x 90)(250 x 160)	(6 x 3)(10 x 6)	17.75	5361747
(160 x 63)(250 x 110)	(6 x 2)(10 x 4)	19	5361892
(200 x 160)(315 x 250)	(8 x 6)(12 x 10)	16	5361893
(200 x 110)(315 x 200)	(8 x 4)(12 x 8)	19	5361895
(200 x 90)(315 x 160)	(8 x 3)(12 x 6)	21	5361896
(250 x 200)(355 x 315)	(10 x 8)(14 x 12)	14.5	5361899
(250 x 160)(355 x 250)	(10 x 6)(14 x 10)	18.5	5361902
(250 x 110)(355 x 200)	(10 x 4)(14 x 8)	21.5	5361903
(315 x 250)(400 x 355)	(12 x 10)(16 x 14)	15	5361910
(315 x 200)(400 x 315)	(12 x 8)(16 x 12)	16.8	5361915
(315 x 160)(400 x 250)	(12 x 6)(16 x 10)	20.5	5361904
(355 x 315)(450 x 400)	(14 x 12)(18 x 16)	15	5361928
(355 x 250)(450 x 355)	(14 x 10)(18 x 14)	17	5361921
(355 x 200)(450 x 315)	(14 x 8)(18 x 12)	18.5	5361916

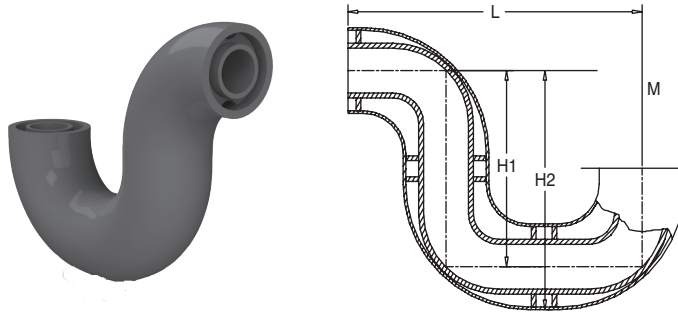
Duo-Pro®  
 Pro150, Pro45



### CONCENTRIC REDUCER

Size		PRO45 x PRO45	
		SDR 33 / PN 3 / 45 PSI	
mm	inch	L	Part Number
(160 x 110)(250 x 200)	(6 x 4)(10 x 8)	15.75	5384748
(200 x 160)(315 x 250)	(8 x 6)(12 x 10)	16	5384893
(200 x 110)(315 x 200)	(8 x 4)(12 x 8)	19	5384895
(250 x 200)(355 x 315)	(10 x 8)(14 x 12)	14.5	5384899
(250 x 160)(355 x 250)	(10 x 6)(14 x 10)	18.5	5384902
(250 x 110)(355 x 200)	(10 x 4)(14 x 8)	21.5	5384903
(315 x 250)(400 x 355)	(12 x 10)(16 x 14)	20.5	5384910
(315 x 200)(400 x 315)	(12 x 8)(16 x 12)	16.5	5384915
(315 x 160)(400 x 250)	(12 x 6)(16 x 10)	15	5384904
(355 x 315)(450 x 400)	(14 x 12)(18 x 16)	18.5	5384928
(355 x 250)(450 x 355)	(14 x 10)(18 x 14)	17	5384921
(355 x 200)(450 x 315)	(14 x 8)(18 x 12)	15	5384916

Double Wall Piping System



**P-TRAP**

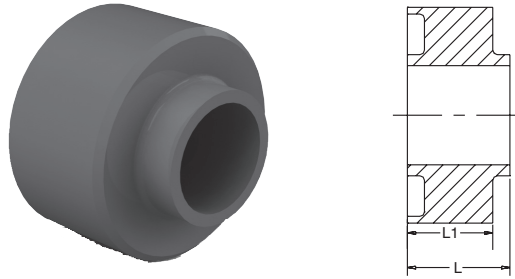
Size		PRO150 x PRO150			
		SDR 11/ PN 10/ 5 PSI			
mm	inch	L	H1	H2	Part Number
32 x 90	1 x 3	11.625	7.625	9.375	5213134
63 x 110	2 x 4	14.375	9.5	11.75	5213420
90 x 160	3 x 6	21	13.875	17.125	5213531
110 x 200	4 x 8	23.375	15.5	19.375	5213583
160 x 250	6 x 10	33.5	22.25	27.125	5213627
200 x 315	8 x 12	40	26.5	32.75	5213660

Size		PRO150 x PRO45			
		SDR 11 x 33/ PN 10 x 3 / MOP 5 PSI			
mm	inch	L	H1	H2	Part Number
63 x 110	2 x 4	14.375	9.5	11.75	5315420
90 x 160	3 x 6	21	13.875	17.125	5315531
110 x 200	4 x 8	23.375	15.5	19.375	5315583
160 x 250	6 x 10	33.5	22.25	27.125	5315627
200 x 315	8 x 12	40	26.5	32.75	5315660
250 x 355	10 x 14	42.5	26.8	36.5	5315702

Size		PRO45 x PRO45			
		SDR 33 / PN 3 / MOP 5 PSI			
mm	inch	L	H1	H2	Part Number
110 x 200	4 x 8	23.375	15.5	19.375	5376583
160 x 250	6 x 10	33.5	22.25	27.125	5376627
200 x 315	8 x 12	40	26.5	32.75	5376660
250 x 355	10 x 14	42.5	26.8	36.5	5376702

Duo-Pro®  
 Pro150, Pro45





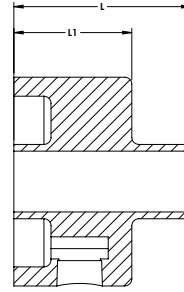
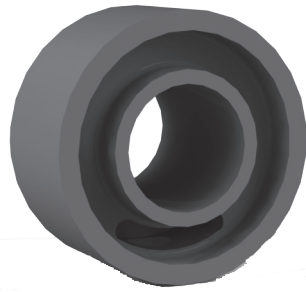
**DOGBONE® END TERMINATION**

Size		PRO150 x PRO150 SDR 11/ PN 10/ 150 PSI		
mm	inch	L	L1	Part Number
32 x 90	1 x 3	3.00	2.25	5247134
63 x 110	2 x 4	3.00	2.25	5247420
90 x 160	3 x 6	3.00	2.25	5247531
110 x 200	4 x 8	3.00	2.25	5247583
160 x 250	6 x 10	3.00	2.25	5247627
200 x 315	8 x 12	3.00	2.25	5247660
250 x 355	10 x 14	2.25	1.50	5247702

Size		PRO150 x PRO45 SDR 11 x 33/ PN 10 x 3 / 150 x 45 PSI		
mm	inch	L	L1	Part Number
63 x 110	2 x 4	3.00	2.25	5333420
90 x 160	3 x 6	3.00	2.25	5333531
110 x 200	4 x 8	3.00	2.25	5333583
160 x 250	6 x 10	3.00	2.25	5333627
200 x 315	8 x 12	3.00	2.25	5333660
250 x 355	10 x 14	2.25	1.50	5333702
315 x 400	12 x 16	2.25	1.50	5333690
355 x 450	14 x 18	2.25	1.50	5333710
400 x 500	16 x 20	2.25	1.50	5333726

Size		PRO45 x PRO45 SDR 33 / PN 3 / 45 PSI		
mm	inch	L	L1	Part Number
110 x 200	4 x 8	3.00	2.25	5367583
160 x 250	6 x 10	3.00	2.25	5367627
200 x 315	8 x 12	3.00	2.25	5367660
250 x 355	10 x 14	2.25	1.50	5367702
315 x 400	12 x 16	2.25	1.50	5367690
355 x 450	14 x 18	2.25	1.50	5367710
400 x 500	16 x 20	2.25	1.50	5367726

Double Wall  
Piping System



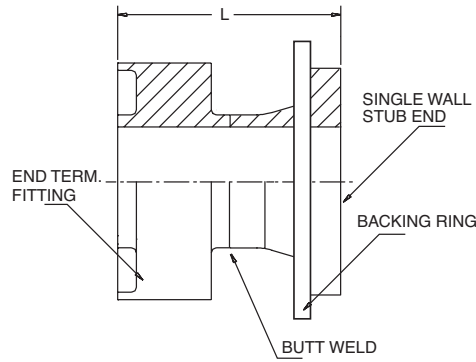
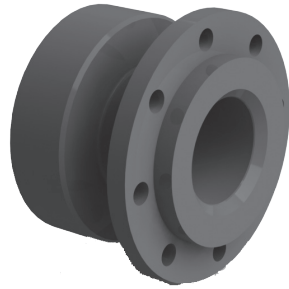
**DOG BONE® END TERMINATION WITH 1/2" TAP**

Size		PRO150 x PRO150 SDR 11/ PN 10/ 150 PSI		
mm	inch	L	L1	Part Number
32 x 90	1 x 3	3	2.25	5248134
63 x 110	2 x 4	3	2.25	5248420
90 x 160	3 x 6	3	2.25	5248531
110 x 200	4 x 8	3	2.25	5248583
160 x 250	6 x 10	3	2.25	5248627
200 x 315	8 x 12	3	2.25	5248660
250 x 355	10 x 14	3.5	1.50	5248702

Size		PRO150 x PRO45 SDR 11 x 33/ PN 10 x 3 / 150 x 45 PSI		
mm	inch	L	L1	Part Number
63 x 110	2 x 4	3	2.25	5334420
90 x 160	3 x 6	3	2.25	5334531
110 x 200	4 x 8	3	2.25	5334583
160 x 250	6 x 10	3	2.25	5334627
200 x 315	8 x 12	3	2.25	5334660
250 x 355	10 x 14	3.5	1.50	5334702
315 x 400	12 x 16	3.5	1.50	5334690
355 x 450	14 x 18	3.5	1.50	5334710
400 x 500	16 x 20	3.5	1.50	5334726

Size		PRO45 x PRO45 SDR 33 / PN 3 / 45 PSI		
mm	inch	L	L1	Part Number
110 x 200	4 x 8	3	2.25	5368583
160 x 250	6 x 10	3	2.25	5368627
200 x 315	8 x 12	3	2.25	5368660
250 x 355	10 x 14	3.5	1.50	5368702
315 x 400	12 x 16	3.5	1.50	5368690
355 x 450	14 x 18	3.5	1.50	5368710
400 x 500	16 x 20	3.5	1.50	5368726

Duo-Pro®  
 Pro150, Pro45



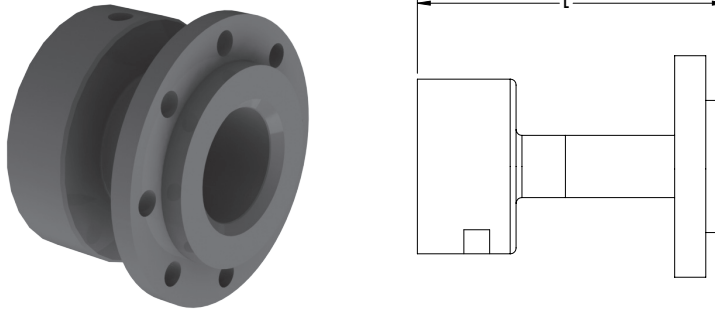
**DOGBONE® FLANGED END TERMINATION**

Size		PRO150 x PRO150 SDR 11/ PN 10/ 150 PSI	
mm	inch	L	Part Number
32 x 90	1 x 3	4.75	5249134
63 x 110	2 x 4	4.75	5249420
90 x 160	3 x 6	6	5249531
110 x 200	4 x 8	6	5249583
160 x 250	6 x 10	6	5249627
200 x 315	8 x 12	6	5249660
250 x 355	10 x 14	7	5249702

Size		PRO150 x PRO45 SDR 11 x 33/ PN 10 x 3 / 150 x 45 PSI	
mm	inch	L	Part Number
63 x 110	2 x 4	4.75	5335420
90 x 160	3 x 6	6	5335531
110 x 200	4 x 8	6	5335583
160 x 250	6 x 10	6	5335627
200 x 315	8 x 12	6	5335660
250 x 355	10 x 14	7	5335702
315 x 400	12 x 16	7.25	5335690
355 x 450	14 x 18	6.75	5335710
400 x 500	16 x 20	6.75	5335726

Size		PRO45 x PRO45 SDR 33 / PN 3 / 45 PSI	
mm	inch	L	Part Number
110 x 200	4 x 8	6	5369583
160 x 250	6 x 10	6	5369627
200 x 315	8 x 12	6	5369660
250 x 355	10 x 14	7	5369702
315 x 400	12 x 16	7.25	5369690
355 x 450	14 x 18	6.75	5369710
400 x 500	16 x 20	6.75	5369726

Double Wall Piping System



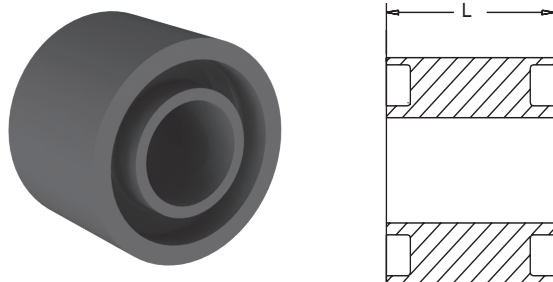
**DOGBONE® FLANGED END TERMINATION WITH 1/2" TAP**

Size		PRO150 x PRO150	
		SDR 11/ PN 10/ 150 PSI	
mm	inch	L	Part Number
32 x 90	1 x 3	4.75	5250134
63 x 110	2 x 4	4.75	5250420
90 x 160	3 x 6	6	5250531
110 x 200	4 x 8	6	5250583
160 x 250	6 x 10	6	5250627
200 x 315	8 x 12	6	5250660
250 x 355	10 x 14	7	5250702

Size		PRO150 x PRO45	
		SDR 11 x 33/ PN 10 x 3 / 150 x 45 PSI	
mm	inch	L	Part Number
63 x 110	2 x 4	4.75	5339420
90 x 160	3 x 6	6	5339531
110 x 200	4 x 8	6	5339583
160 x 250	6 x 10	6	5339627
200 x 315	8 x 12	6	5339660
250 x 355	10 x 14	7	5339702
315 x 400	12 x 16	7.25	5339690
355 x 450	14 x 18	6.75	5339710
400 x 500	16 x 20	6.75	5339726

Size		PRO45 x PRO45	
		SDR 33 / PN 3 / 45 PSI	
mm	inch	L	Part Number
110 x 200	4 x 8	6	5371583
160 x 250	6 x 10	6	5371627
200 x 315	8 x 12	6	5371660
250 x 355	10 x 14	7	5371702
315 x 400	12 x 16	7.25	5371690
355 x 450	14 x 18	6.75	5371710
400 x 500	16 x 20	6.75	5371726

Duo-Pro®  
 Pro150, Pro45



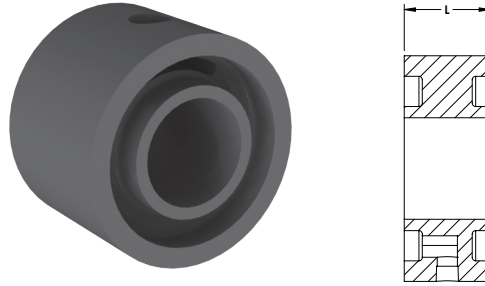
**SOLID DOGBONE®**

Size		PRO150 x PRO150 SDR 11/ PN 10/ 150 PSI	
mm	inch	L	Part Number
32 x 90	1 x 3	3.00	5216134
63 x 110	2 x 4	3.00	5216420
90 x 160	3 x 6	3.00	5216531
110 x 200	4 x 8	3.00	5216583
160 x 250	6 x 10	3.00	5216627
200 x 315	8 x 12	3.00	5216660
250 x 355	10 x 14	2.25	5216702

Size		PRO150 x PRO45 SDR 11 x 33/ PN 10 x 3 / 150 x 45 PSI	
mm	inch	L	Part Number
63 x 110	2 x 4	3.00	5318420
90 x 160	3 x 6	3.00	5318531
110 x 200	4 x 8	3.00	5318583
160 x 250	6 x 10	3.00	5318627
200 x 315	8 x 12	3.00	5318660
250 x 355	10 x 14	2.25	5318702
315 x 400	12 x 16	2.25	5318690
355 x 450	14 x 18	2.25	5318710
400 x 500	16 x 20	2.25	5318726

Size		PRO45 x PRO45 SDR 33 / PN 3 / 45 PSI	
mm	inch	L	Part Number
110 x 200	4 x 8	3.00	5392583
160 x 250	6 x 10	3.00	5392627
200 x 315	8 x 12	3.00	5392660
250 x 355	10 x 14	2.25	5392702
315 x 400	12 x 16	2.25	5392690
355 x 450	14 x 18	2.25	5392710
400 x 500	16 x 20	2.25	5392726

Double Wall  
Piping System

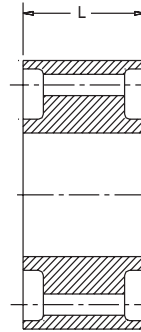
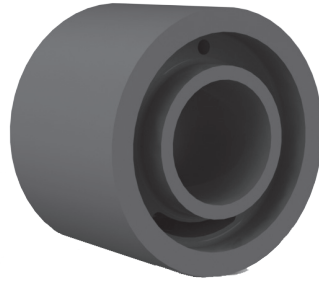
**SOLID DOGBONE® WITH TAP**

Size		PRO150 x PRO150 SDR 11/ PN 10/ 150 PSI	
mm	inch	L	Part Number
32 x 90	1 x 3	3	5214134
63 x 110	2 x 4	3	5214420
90 x 160	3 x 6	3	5214531
110 x 200	4 x 8	3	5214583
160 x 250	6 x 10	3	5214627
200 x 315	8 x 12	3	5214660
250 x 355	10 x 14	3	5214702

Size		PRO150 x PRO45 SDR 11 x 33/ PN 10 x 3 / 150 x 45 PSI	
mm	inch	L	Part Number
63 x 110	2 x 4	3	5314420
90 x 160	3 x 6	3	5314531
110 x 200	4 x 8	3	5314583
160 x 250	6 x 10	3	5314627
200 x 315	8 x 12	3	5314660
250 x 355	10 x 14	3	5314702

Size		PRO45 x PRO45 SDR 33 / PN 3 / 45 PSI	
mm	inch	L	Part Number
110 x 200	4 x 8	3	5398583
160 x 250	6 x 10	3	5398627
200 x 315	8 x 12	3	5398660
250 x 355	10 x 14	3	5398702
315 x 400	12 x 16	3	5398690
355 x 450	14 x 18	3	5398710
400 x 500	16 x 20	3	5398726

Duo-Pro®  
 Pro150, Pro45



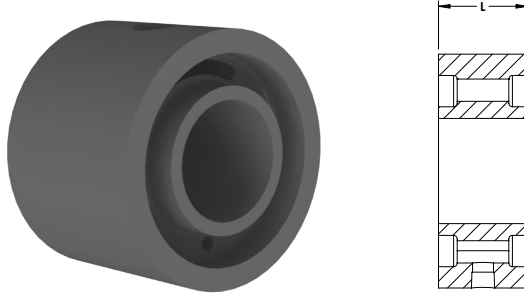
**ANNULAR DOGBONE®**

Size		PRO150 x PRO150 SDR 11/ PN 10/ 150 PSI	
mm	inch	L	Part Number
32 x 90	1 x 3	3	5218134
63 x 110	2 x 4	3	5218420
90 x 160	3 x 6	3	5218531
110 x 200	4 x 8	3	5218583
160 x 250	6 x 10	3	5218627
200 x 315	8 x 12	3	5218660
250 x 355	10 x 14	3	5218702

Size		PRO150 x PRO45 SDR 11 x 33/ PN 10 x 3 / 150 x 45 PSI	
mm	inch	L	Part Number
63 x 110	2 x 4	3	5321420
90 x 160	3 x 6	3	5321531
110 x 200	4 x 8	3	5321583
160 x 250	6 x 10	3	5321627
200 x 315	8 x 12	3	5321660
250 x 355	10 x 14	3	5321702
315 x 400	12 x 16	3	5321690
355 x 450	14 x 18	3	5321710
400 x 500	16 x 20	3	5321726

Size		PRO45 x PRO45 SDR 33 / PN 3 / 45 PSI	
mm	inch	L	Part Number
110 x 200	4 x 8	3	5394583
160 x 250	6 x 10	3	5394627
200 x 315	8 x 12	3	5394660
250 x 355	10 x 14	3	5394702
315 x 400	12 x 16	3	5394690
355 x 450	14 x 18	3	5394710
400 x 500	16 x 20	3	5394726

Double Wall  
Piping System



**ANNULAR DOGBONE® WITH TAP**

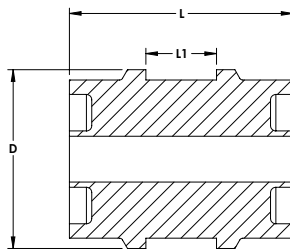
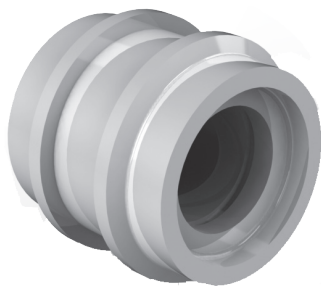
Size		PRO150 x PRO150	
		SDR 11/ PN 10/ 150 PSI	
mm	inch	L	Part Number
32 x 90	1 x 3	3	5222134
63 x 110	2 x 4	3	5222420
90 x 160	3 x 6	3	5222531
110 x 200	4 x 8	3	5222583
160 x 250	6 x 10	3	5222627
200 x 315	8 x 12	3	5222660
250 x 355	10 x 14	3	5222702

Size		PRO150 x PRO45	
		SDR 11 x 33/ PN 10 x 3 / 150 x 45 PSI	
mm	inch	L	Part Number
63 x 110	2 x 4	3	5323420
90 x 160	3 x 6	3	5323531
110 x 200	4 x 8	3	5323583
160 x 250	6 x 10	3	5323627
200 x 315	8 x 12	3	5323660
250 x 355	10 x 14	3	5323702
315 x 400	12 x 16	3	5323690
355 x 450	14 x 18	3	5323710
400 x 500	16 x 20	3	5323726

Size		PRO45 x PRO45	
		SDR 33 / PN 3 / 45 PSI	
mm	inch	L1	Part Number
110 x 200	4 x 8	3	5399583
160 x 250	6 x 10	3	5399627
200 x 315	8 x 12	3	5399660
250 x 355	10 x 14	3	5399702
315 x 400	12 x 16	3	5399690
355 x 450	14 x 18	3	5399710
400 x 500	16 x 20	3	5399726

Duo-Pro®  
 Pro150, Pro45





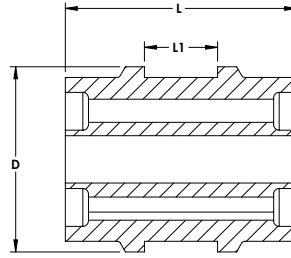
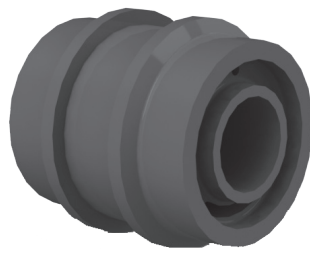
**SOLID RESTRAINT DOGBONE®**

Size		PRO150 x PRO150 SDR 11/ PN 10/ 150 PSI		
mm	inch	L1	D	Part Number
32 x 90	1 x 3	1.63	4.54	5217134
63 x 110	2 x 4	1.63	5.33	5217420
90 x 160	3 x 6	2.40	7.30	5217531
110 x 200	4 x 8	2.40	8.87	5217583
160 x 250	6 x 10	1.63	10.84	5217627
200 x 315	8 x 12	1.63	13.40	5217660
250 x 355	10 x 14	1.58	14.75	5217702
315 x 400	12 x 16	1.58	16.75	5217690
355 x 450	14 x 18	1.58	18.50	5217710
400 x 500	16 x 20	1.58	20.50	5217726

Size		PRO150 x PRO45 SDR 11 x 33/ PN 10 x 3 / 150 x 45 PSI		
mm	inch	L1	D	Part Number
63 x 110	2 x 4	1.63	5.33	5317420
90 x 160	3 x 6	2.40	7.30	5317531
110 x 200	4 x 8	2.40	8.87	5317583
160 x 250	6 x 10	1.63	10.84	5317627
200 x 315	8 x 12	1.63	13.40	5317660
250 x 355	10 x 14	1.58	14.75	5317702
315 x 400	12 x 16	1.58	16.75	5317690
355 x 450	14 x 18	1.58	18.50	5317710
400 x 500	16 x 20	1.58	20.50	5317726

Size		PRO45 x PRO45 SDR 33 / PN 3 / 45 PSI		
mm	inch	L1	D	Part Number
110 x 200	4 x 8	2.40	8.87	5391583
160 x 250	6 x 10	1.63	10.84	5391627
200 x 315	8 x 12	1.63	13.40	5391660
250 x 355	10 x 14	1.58	14.75	5391702
315 x 400	12 x 16	1.58	16.75	5391690
355 x 450	14 x 18	1.58	18.50	5391710
400 x 500	16 x 20	1.58	20.50	5391726

Double Wall  
Piping System



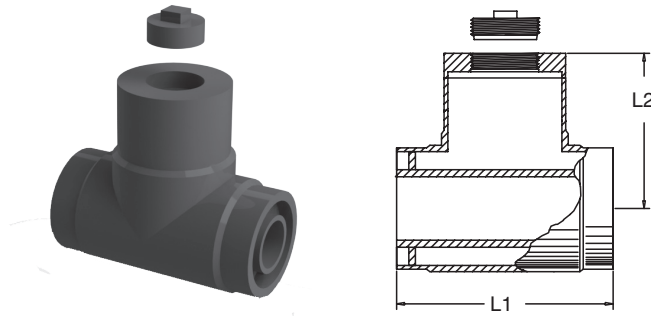
**ANNULAR RESTRAINT DOGBONE®**

Size		PRO150 x PRO150 SDR 11/ PN 10/ 150 PSI			
mm	inch	L	L1	D	Part Number
32 x 90	1 x 3	3.63	1.63	4.54	5219134
63 x 110	2 x 4	3.63	1.63	5.33	5219420
90 x 160	3 x 6	4.40	2.40	7.30	5219531
110 x 200	4 x 8	4.40	2.40	8.87	5219583
160 x 250	6 x 10	3.63	1.63	10.84	5219627
200 x 315	8 x 12	3.63	1.63	13.40	5219660
250 x 355	10 x 14	5.00	1.58	14.75	5219702
315 x 400	12 x 16	5.00	1.58	16.75	5219690
355 x 450	14 x 18	5.00	1.58	18.50	5219710
400 x 500	16 x 20	5.00	1.58	20.50	5219726

Size		PRO150 x PRO45 SDR 11 x 33/ PN 10 x 3 / 150 x 45 PSI			
mm	inch	L	L1	D	Part Number
63 x 110	2 x 4	3.63	1.63	5.33	5319420
90 x 160	3 x 6	4.40	2.40	7.30	5319531
110 x 200	4 x 8	4.40	2.40	8.87	5319583
160 x 250	6 x 10	3.63	1.63	10.84	5319627
200 x 315	8 x 12	3.63	1.63	13.40	5319660
250 x 355	10 x 14	5.00	1.58	14.75	5319702
315 x 400	12 x 16	5.00	1.58	16.75	5319690
355 x 450	14 x 18	5.00	1.58	18.50	5319710
400 x 500	16 x 20	5.00	1.58	20.50	5319726

Size		PRO45 x PRO45 SDR 33 / PN 3 / 45 PSI			
mm	inch	L	L1	D	Part Number
110 x 200	4 x 8	4.40	2.40	8.87	5395583
160 x 250	6 x 10	3.63	1.63	10.84	5395627
200 x 315	8 x 12	3.63	1.63	13.40	5395660
250 x 355	10 x 14	5.00	1.58	14.75	5395702
315 x 400	12 x 16	5.00	1.58	16.75	5395690
355 x 450	14 x 18	5.00	1.58	18.50	5395710
400 x 500	16 x 20	5.00	1.58	20.50	5395726

Duo-Pro®  
 Pro150, Pro45



**ACCESS TEE WITH THREADED PLUG\***

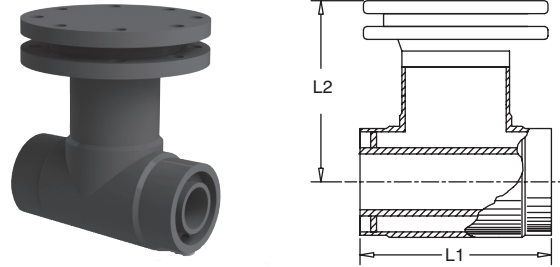
Size		PRO150 x PRO150		
		SDR 11/ PN 10/ 150 PSI		
mm	inch	L1	L2	Part Number
32 x 90	1 x 3	7.25	6.63	5204134
63 x 110	2 x 4	9.50	7.25	5204420
90 x 160	3 x 6	13.00	9.75	5204531
110 x 200	4 x 8	15.63	11.00	5204583
160 x 250	6 x 10	17.50	12.25	5204627
200 x 315	8 x 12	21.75	13.75	5204660
250 x 355	10 x 14	27.00	15.25	5204702

Size		PRO150 x PRO45		
		SDR 11 x 33/ PN 10 x 3 / 150 x 45 PSI		
mm	inch	L	L2	Part Number
63 x 110	2 x 4	9.50	7.25	5303420
90 x 160	3 x 6	13.00	9.75	5303531
110 x 200	4 x 8	15.63	11.00	5303583
160 x 250	6 x 10	17.50	12.25	5303627
200 x 315	8 x 12	21.75	13.75	5303660
250 x 355	10 x 14	27.00	15.25	5303702
315 x 400	12 x 16	27.00	16.75	5303690
355 x 450	14 x 18	37.50	18.25	5303710

Size		PRO45 x PRO45		
		SDR 33 / PN 3 / 45 PSI		
mm	inch	L	L2	Part Number
110 x 200	4 x 8	15.63	11.00	5375583
160 x 250	6 x 10	17.50	12.25	5375627
200 x 315	8 x 12	21.75	13.75	5375660
250 x 355	10 x 14	27.00	15.25	5375702
315 x 400	12 x 16	27.00	16.75	5375690
355 x 450	14 x 18	37.50	18.25	5375710
400 x 500	16 x 20	35.24	20.72	5375726

\*Includes EPDM gasket. Threaded plug rated 5psi.

Double Wall  
Piping System



**ACCESS TEE WITH FLANGED COVER\***

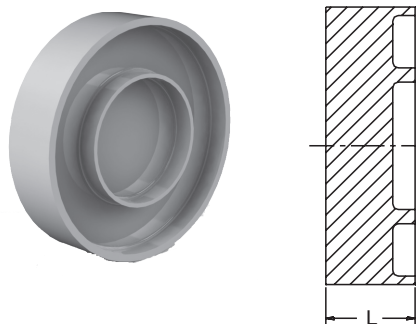
Size		PRO150 x PRO150		
		SDR 11/ PN 10/ 150 PSI		
mm	inch	L1	L2	Part Number
32 x 90	1 x 3	7.25	6.63	5202134
63 x 110	2 x 4	9.50	7.25	5202420
90 x 160	3 x 6	13.00	9.75	5202531
110 x 200	4 x 8	15.63	11.00	5202583
160 x 250	6 x 10	17.50	12.25	5202627
200 x 315	8 x 12	21.75	13.75	5202660
250 x 355	10 x 14	27.00	15.25	5202702

Size		PRO150 x PRO45		
		SDR 11 x 33/ PN 10 x 3 / 150 x 45 PSI		
mm	inch	L	L2	Part Number
63 x 110	2 x 4	9.50	7.25	5355420
90 x 160	3 x 6	13.00	9.75	5355531
110 x 200	4 x 8	15.63	11.00	5355583
160 x 250	6 x 10	17.50	12.25	5355627
200 x 315	8 x 12	21.75	13.75	5355660
250 x 355	10 x 14	27.00	15.25	5355702
315 x 400	12 x 16	27.00	16.75	5355690
355 x 450	14 x 18	37.50	18.25	5355710
400 x 500	16 x 20	37.25	23.50	5355726

Size		PRO45 x PRO45		
		SDR 33 / PN 3 / 45 PSI		
mm	inch	L	L2	Part Number
110 x 200	4 x 8	15.63	11.00	5373583
160 x 250	6 x 10	17.50	12.25	5373627
200 x 315	8 x 12	21.75	13.75	5373660
250 x 355	10 x 14	27.00	15.25	5373702
315 x 400	12 x 16	27.00	16.75	5373690
355 x 450	14 x 18	37.50	18.25	5373710
400 x 500	16 x 20	37.25	23.50	5373726

\*Includes EPDM gasket - does not include nuts and bolts.

Duo-Pro®  
 Pro150, Pro45



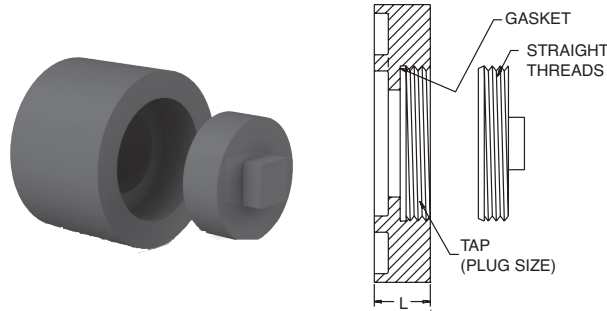
**CAP**

Size		PRO150 x PRO150	
		SDR 11/ PN 10/ 150 PSI	
mm	inch	L	Part Number
32 x 90	1 x 3	2.00	5220134
63 x 110	2 x 4	2.00	5220420
90 x 160	3 x 6	2.00	5220531
110 x 200	4 x 8	2.00	5220583
160 x 250	6 x 10	2.00	5220627
200 x 315	8 x 12	2.00	5220660
250 x 355	10 x 14	2.00	5220702

Size		PRO150 x PRO45	
		SDR 11 x 33/ PN 10 x 3 / 150 x 45 PSI	
mm	inch	L	Part Number
63 x 110	2 x 4	2.00	5320420
90 x 160	3 x 6	2.00	5320531
110 x 200	4 x 8	2.00	5320583
160 x 250	6 x 10	2.00	5320627
200 x 315	8 x 12	2.00	5320660
250 x 355	10 x 14	2.00	5320702
315 x 400	12 x 16	2.00	5320690
355 x 450	14 x 18	2.00	5320710
400 x 500	16 x 20	2.00	5320726

Size		PRO45 x PRO45	
		SDR 33 / PN 3 / 45 PSI	
mm	inch	L	Part Number
110 x 200	4 x 8	2.00	5393583
160 x 250	6 x 10	2.00	5393627
200 x 315	8 x 12	2.00	5393660
250 x 355	10 x 14	2.00	5393702
315 x 400	12 x 16	2.00	5393690
355 x 450	14 x 18	2.00	5393710
400 x 500	16 x 20	2.00	5393726

Double Wall Piping System



**CLEANOUT WITH PLUG\***

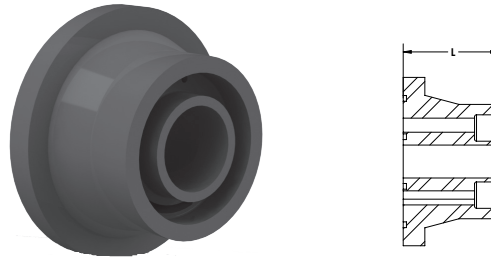
Size		PRO150 x PRO150		
		SDR 11/ PN 10/ MOP 5 PSI		
mm	inch	L	TAP	Part Number
32 x 90	1 x 3	3.00	2"	5232134
63 x 110	2 x 4	3.00	3"	5232420
90 x 160	3 x 6	3.00	4"	5232531
110 x 200	4 x 8	3.00	4"	5232583
160 x 250	6 x 10	3.00	6"	5232627
200 x 315	8 x 12	3.00	6"	5232660
250 x 355	10 x 14	2.25	6"	5232702

Size		PRO150 x PRO45		
		SDR 11 x 33/ PN 10 x 3 / MOP 5 PSI		
mm	inch	L	TAP	Part Number
63 x 110	2 x 4	3.00	3"	5332420
90 x 160	3 x 6	3.00	4"	5332531
110 x 200	4 x 8	3.00	4"	5332583
160 x 250	6 x 10	3.00	6"	5332627
200 x 315	8 x 12	3.00	6"	5332660
250 x 355	10 x 14	2.25	6"	5332702
315 x 400	12 x 16	2.25	6"	5332690
355 x 450	14 x 18	2.25	6"	5332710
400 x 500	16 x 20	2.25	6"	5332726

Size		PRO45 x PRO45		
		SDR 33 / PN 3 / MOP 5 PSI		
mm	inch	L	TAP	Part Number
110 x 200	4 x 8	3.00	4"	5377583
160 x 250	6 x 10	3.00	6"	5377627
200 x 315	8 x 12	3.00	6"	5377660
250 x 355	10 x 14	2.25	6"	5377702
315 x 400	12 x 16	2.25	6"	5377690
355 x 450	14 x 18	2.25	6"	5377710
400 x 500	16 x 20	2.25	6"	5377726

\*Machined fittings. 5psi drainage rating.

Duo-Pro®  
 Pro150, Pro45



**STUB END - FLOW-THROUGH - FLAT FACE**

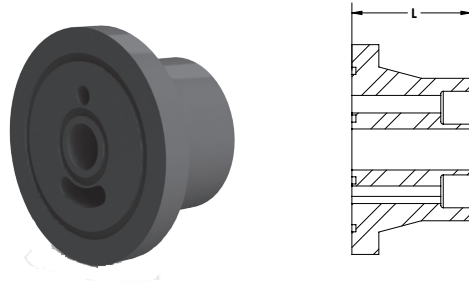
Size		PRO150 X PRO150	
		SDR 11/ PN 10/ 150 PSI	
mm	inch	L	Part Number
32 x 90	1 x 3	2.96	5233134
63 x 110	2 x 4	3.00	5233420
90 x 160	3 x 6	3.25	5233531
110 x 200	4 x 8	4.00	5233583
160 x 250	6 x 10	4.00	5233627
200 x 315	8 x 12	3.50	5233660
250 x 355	10 x 14	3.50	5233702
315 x 400	12 x 16	3.50	5233690

Size		PRO150 X PRO45	
		SDR 11 x 33/ PN 10 x 3 / 150 x 45 PSI	
mm	inch	L	Part Number
63 x 110	2 x 4	3.00	5357420
90 x 160	3 x 6	3.25	5357531
110 x 200	4 x 8	4.00	5357583
160 x 250	6 x 10	4.00	5357627
200 x 315	8 x 12	3.50	5357660
250 x 355	10 x 14	3.50	5357702
315 x 400	12 x 16	3.50	5357690
355 x 450	14 x 18	3.50	5357710
400 x 500	16 x 20	3.50	5357726

Size		PRO45 X PRO45	
		SDR 33 / PN 3 / 45 PSI	
mm	inch	L	Part Number
110 x 200	4 x 8	4.00	5389583
160 x 250	6 x 10	4.00	5389627
200 x 315	8 x 12	3.50	5389660
250 x 355	10 x 14	3.50	5389702
315 x 400	12 x 16	3.50	5389690
355 x 450	14 x 18	3.50	5389710
400 x 500	16 x 20	3.50	5389726

For field assembly: (one) flat face flange, (one) O-ring flange and (two) backing rings (in containment size) are required (not included in price). O-ring flange is supplied with EPDM O-rings. Consult factory for assistance.

Double Wall  
Piping System



**STUB END - FLOW-THROUGH O-RING FLANGE**

Size		PRO150 X PRO150 SDR 11/ PN 10/ 150 PSI	
mm	inch	L	FKM Part Number
32 x 90	1 x 3	2.96	5257134
63 x 110	2 x 4	3.00	5257420
90 x 160	3 x 6	3.25	5257531
110 x 200	4 x 8	4.00	5257583
160 x 250	6 x 10	4.00	5257627
200 x 315	8 x 12	3.50	5257660
250 x 355	10 x 14	3.50	5257702
315 x 400	12 x 16	3.50	5257690

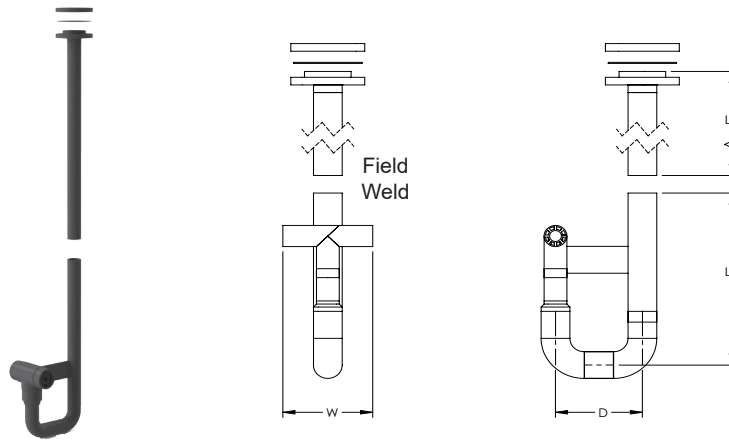
Size		PRO150 X PRO45 SDR 11 x 33/ PN 10 x 3 / 150 x 45 PSI	
mm	inch	L	FKM Part Number
63 x 110	2 x 4	3.00	5351420
90 x 160	3 x 6	3.25	5351531
110 x 200	4 x 8	4.00	5351583
160 x 250	6 x 10	4.00	5351627
200 x 315	8 x 12	3.50	5351660
250 x 355	10 x 14	3.50	5351702
315 x 400	12 x 16	3.50	5351690
355 x 450	14 x 18	3.50	5351710
400 x 500	16 x 20	3.50	5351726

Size		PRO45 X PRO45 SDR 33 / PN 3 / 45 PSI	
mm	inch	L	FKM Part Number
110 x 200	4 x 8	4.00	5397583
160 x 250	6 x 10	4.00	5397627
200 x 315	8 x 12	3.50	5397660
250 x 355	10 x 14	3.50	5397702
315 x 400	12 x 16	3.50	5397690
355 x 450	14 x 18	3.50	5397710
400 x 500	16 x 20	3.50	5397726

For field assembly: (one) flat face flange, (one) O-ring flange and (two) backing rings (in containment size) are required (not included in price). O-ring flange is supplied with FKM O-rings. Consult factory for assistance.

Duo-Pro®  
 Pro150, Pro45





**LOW POINT LEAK DETECTION STATION**

Size		PRO150 X PRO150					Part Number
mm	inch	SDR 11/ PN 10/ 150 PSI					
mm	inch	D	W	L1	L2	Part Number	
32 x 90	1 x 3	10.38	9.63	19.13	36.00	5252134	
63 x 110	2 x 4	8.00	8.00	18.00	36.00	5252420	
90 x 160	3 x 6	16.00	9.75	13.38	36.00	5252531	
110 x 200	4 x 8	14.50	9.50	14.50	36.00	5252583	
160 x 250	6 x 10	24.00	13.00	14.00	36.00	5252627	
200 x 315	8 x 12	18.75	13.50	18.00	36.00	5252660	
250 x 355	10 x 14	22.00	13.50	18.00	36.00	5252702	
315 x 400	12 x 16	23.00	16.00	13.00	36.00	5252690	

Size		PRO150 X PRO45					Part Number
mm	inch	SDR 11 x 33/ PN 10 x 3 / 150 x 45 PSI					
mm	inch	D	W	L1	L2	Part Number	
63 x 110	2 x 4	8.00	8.00	18.00	36.00	5337420	
90 x 160	3 x 6	16.00	9.75	13.38	36.00	5337531	
110 x 200	4 x 8	14.50	9.50	14.50	36.00	5337583	
160 x 250	6 x 10	24.00	13.00	14.00	36.00	5337627	
200 x 315	8 x 12	18.75	13.50	18.00	36.00	5337660	
250 x 355	10 x 14	22.00	13.50	18.00	36.00	5337702	
315 x 400	12 x 16	23.00	16.00	13.00	36.00	5337690	

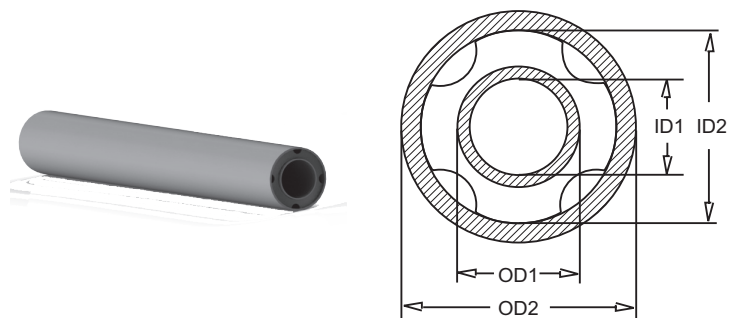
Size		PRO45 X PRO45					Part Number
mm	inch	SDR 33 / PN 3 / 45 PSI					
mm	inch	D	W	L1	L2	Part Number	
110 x 200	4 x 8	14.50	9.50	14.50	36.00	5364583	
160 x 250	6 x 10	24.00	13.00	14.00	36.00	5364627	
200 x 315	8 x 12	18.75	13.50	18.00	36.00	5364660	
250 x 355	10 x 14	22.00	13.50	18.00	36.00	5364702	
315 x 400	12 x 16	23.00	16.00	13.00	36.00	5364690	
355 x 450	14 x 18	29.00	18.25	18.00	36.00	5364710	
400 x 500	16 x 20	33.75	23.50	18.00	36.00	5364726	

Station consists of access tee, (two) 90's, 2" or 4" riser pipe (4' long), stub end, backing ring and flange. Includes EPDM gasket - does not include nuts and bolts. Access cover to be shipped separately and installed in field.

Double Wall  
Piping System

*Page intentionally left blank*

Duo-Pro®  
Pro150, Pro45

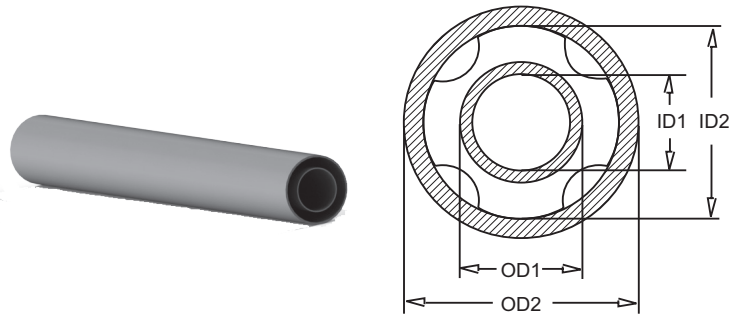


**SIMULTANEOUS WELD PIPE\*** 5 meter (16.4') lengths

Size		PVDF x PVDF				Part Number
		OD1	OD2	ID1	ID2	
32 x 90	1 x 3	1.26	3.54	1.07	3.32	6225134
63 x 110	2 x 4	2.48	4.33	2.24	4.06	6225420
90 x 160	3 x 6	3.54	6.30	3.32	5.91	6225531
110 x 200	4 x 8	4.33	7.87	4.06	7.39	6225583
160 x 250	6 x 10	6.30	9.84	5.91	9.24	6225627
200 x 315	8 x 12	7.87	12.40	7.39	11.64	6225660

\*Pipe is sold in 5 meter lengths (16.4').

Double Wall  
Piping System



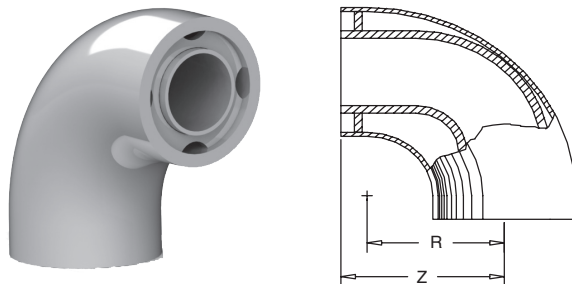
**STAGGERED WELD PIPE\*** 5 meters(16.4') lengths

Size		PVDF x PRO150 MOP 150 PSI				
mm	inch	OD1	OD2	ID1	ID2	Part Number
32 x 90	1 x 3	1.26	3.54	1.07	2.90	6023134
63 x 110	2 x 4	2.48	4.33	2.24	3.54	6023420
90 x 160	3 x 6	3.54	6.30	3.32	5.15	6023531
110 x 200	4 x 8	4.33	7.87	4.06	6.44	6023583
160 x 250	6 x 10	6.30	9.84	5.91	8.05	6023627
200 x 315	8 x 12	7.87	12.40	7.39	10.14	6023660
250 x 355	10 x 14	9.84	13.98	9.24	11.43	6023702

Size		PVDF x PRO45 MOP x 45 PSI				
mm	inch	OD1	OD2	ID1	ID2	Part Number
63 x 110	2 x 4	2.48	4.33	4.06	2.24	6123420
90 x 160	3 x 6	3.54	6.30	5.91	3.32	6123531
110 x 200	4 x 8	4.33	7.87	7.39	4.06	6123583
160 x 250	6 x 10	6.30	9.84	9.23	5.91	6123627
200 x 315	8 x 12	7.87	12.40	11.63	7.39	6123660
250 x 355	10 x 14	9.84	13.98	13.10	9.24	6123702
315 x 400	12 x 16	12.40	15.75	14.77	11.64	6123690



**\*Staggered welding of dissimilar materials requires two welding machines and special installation. Asahi Field tech training highly recommended.**



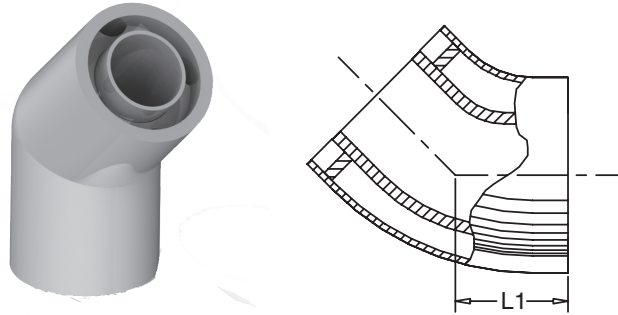
### 90 DEGREE ELBOW

Size		PVDF x PVDF		
		MOP 150 PSI		
mm	inch	Z	R	Part Number
32 x 90	1 x 3	4.06	3.58	6203134
63 x 110	2 x 4	4.85	4.25	6203420
90 x 160	3 x 6	7.13	6.18	6203531
110 x 200	4 x 8	8.55	7.72	6203583
160 x 250	6 x 10	11.31	9.85	6203627

Size		PVDF x PRO150		
		MOP 150 PSI		
mm	inch	Z	R	Part Number
32 x 90	1 x 3	3.94	3.35	6003134
63 x 110	2 x 4	4.88	4.13	6003420
90 x 160	3 x 6	7.08	6.10	6003531
110 x 200	4 x 8	7.87	7.68	6003583
160 x 250	6 x 10	11.22	10.04	6003627
200 x 315	8 x 12	13.39	11.81	6003660
250 x 355	10 x 14	13.40	11.81	6003702

Size		PVDF x PRO45		
		MOP 150 x 45 PSI		
mm	inch	Z	R	Part Number
63 x 110	2 x 4	4.72	4.33	6103420
90 x 160	3 x 6	6.69	6.10	6103531
110 x 200	4 x 8	8.66	7.76	6103583
160 x 250	6 x 10	11.41	10.43	6103627
200 x 315	8 x 12	13.38	11.81	6103660
250 x 355	10 x 14	13.39	11.81	6103702
315 x 400	12 x 16	13.58	11.81	6103690

Double Wall Piping System



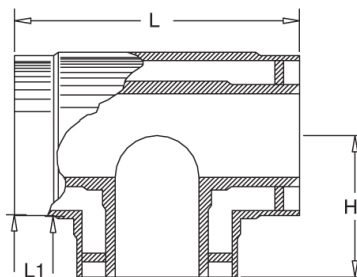
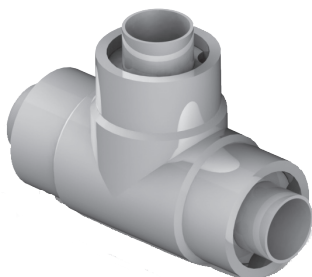
### 45 DEGREE ELBOW

Size		PVDF x PVDF	
		MOP 150 PSI	
mm	inch	L1	Part Number
32 x 90	1 x 3	5.00	6201134
63 x 110	2 x 4	5.00	6201420
90 x 160	3 x 6	6.00	6201531
110 x 200	4 x 8	6.00	6201583
160 x 250	6 x 10	6.00	6201627
200 x 315	8 x 12	8.00	6201660

Size		PVDF x PRO150	
		MOP 150 PSI	
mm	inch	L1	Part Number
32 x 90	1 x 3	4.00	6001134
63 x 110	2 x 4	4.25	6001420
90 x 160	3 x 6	6.00	6001531
110 x 200	4 x 8	6.50	6001583
160 x 250	6 x 10	8.50	6001627
200 x 315	8 x 12	10.00	6001660
250 x 355	10 x 14	8.50	6001702

Size		PVDF x PRO45	
		MOP 150 x 45 PSI	
mm	inch	L1	Part Number
63 x 110	2 x 4	5.00	6101420
90 x 160	3 x 6	6.00	6101531
110 x 200	4 x 8	6.00	6101583
160 x 250	6 x 10	6.00	6101627
200 x 315	8 x 12	6.50	6101660
250 x 355	10 x 14	10.00	6101702
315 x 400	12 x 16	12.00	6101690

Duo-Pro®  
PVDF



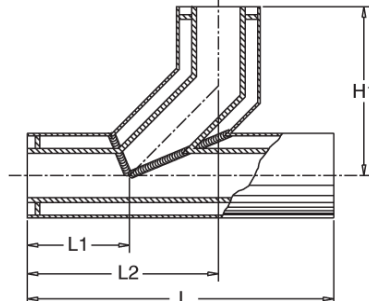
**TEE**

Size		PVDF x PVDF		
		MOP 150 PSI		
mm	inch	L	H	Part Number
32 x 90	1 x 3	7.13	3.82	6205134
63 x 110	2 x 4	8.50	4.33	6205420
90 x 160	3 x 6	10.98	5.51	6205531
110 x 200	4 x 8	17.56	8.78	6205583
160 x 250	6 x 10	17.56	8.54	6205627

Size		PVDF x PRO150		
		MOP 150 PSI		
mm	inch	L	H	Part Number
32 x 90	1 x 3	8.15	4.17	6005134
63 x 110	2 x 4	9.45	4.72	6005420
90 x 160	3 x 6	12.4	6.3	6005531
110 x 200	4 x 8	15.59	7.8	6005583
160 x 250	6 x 10	18.5	9.25	6005627

Size		PVDF x PRO45		
		MOP 150 x 45 PSI		
mm	inch	L	H	Part Number
63 x 110	2 x 4	8.46	4.29	6105420
90 x 160	3 x 6	10.94	5.51	6105531
110 x 200	4 x 8	13.39	6.69	6105583
160 x 250	6 x 10	17.25	8.66	6105627
200 x 315	8 x 12	21.06	10.63	6105660

**Double Wall  
Piping System**



**SANITARY TEE**

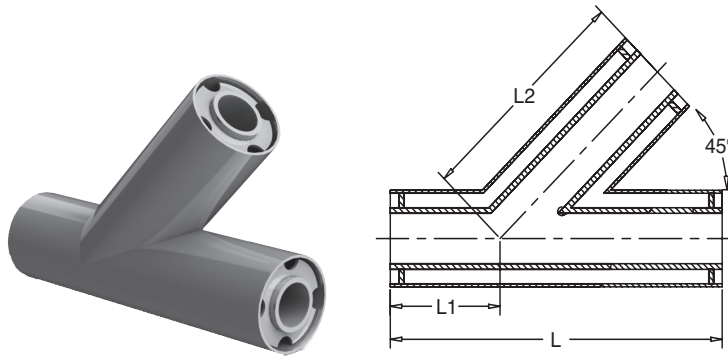
Size		PVDF x PVDF					Part Number
		MOP 5 PSI					
mm	inch	L2	L	H1	L1		
63 x 110	2 x 4	12.00	18.00	9.00	6.00	6213134	
90 x 160	3 x 6	16.00	24.00	12.50	8.00	6213420	
110 x 200	4 x 8	20.00	30.00	15.50	10.00	6213531	
160 x 250	6 x 10	24.00	36.00	15.50	12.00	6213583	
200 x 315	8 x 12	28.00	42.00	21.75	14.00	6213627	
250 x 355	10 x 14	32.00	48.00	24.25	16.00	6213660	

Size		PVDF x PRO150					Part Number
		MOP 5 PSI					
mm	inch	L2	L	H1	L1		
32 x 90	1 x 3	12.00	18.00	9.00	6.00	6013134	
63 x 110	2 x 4	12.00	18.00	9.00	6.00	6013420	
90 x 160	3 x 6	16.00	24.00	12.50	8.00	6013531	
110 x 200	4 x 8	20.00	30.00	15.50	10.00	6013583	
160 x 250	6 x 10	24.00	36.00	15.50	12.00	6013627	
200 x 315	8 x 12	28.00	42.00	21.75	14.00	6013660	

Size		PVDF x PRO45					Part Number
		MOP 5 PSI					
mm	inch	L2	L	H1	L1		
63 x 110	2 x 4	12.00	18.00	9.00	6.00	6113420	
90 x 160	3 x 6	16.00	24.00	12.50	8.00	6113531	
110 x 200	4 x 8	20.00	30.00	15.50	10.00	6113583	
160 x 250	6 x 10	24.00	36.00	15.50	12.00	6113627	
200 x 315	8 x 12	28.00	42.00	21.75	14.00	6113660	
250 x 355	10 x 14	32.00	48.00	24.25	16.00	6113702	
315 x 400	12 x 16	36.00	54.00	28.00	18.00	6113690	







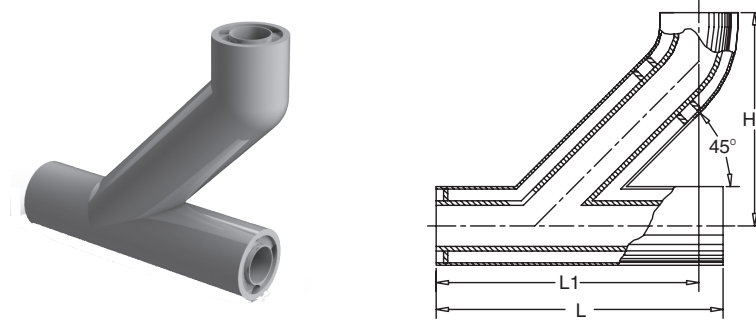
**LATERAL**

Size		PVDF x PVDF MOP 5 PSI			
mm	inch	L	L1	L2	Part Number
32 x 90	1 x 3	18	6	12	6209134
63 x 110	2 x 4	18	6	12	6209420
90 x 160	3 x 6	24	8	16	6209531
110 x 200	4 x 8	30	10	20	6209583
160 x 250	6 x 10	36	12	24	6209627
200 x 315	8 x 12	42	14	28	6209660

Size		PVDF x PRO150 MOP 5 PSI			
mm	inch	L	L1	L2	Part Number
32 x 90	1 x 3	18	6	12	6009134
63 x 110	2 x 4	18	6	12	6009420
90 x 160	3 x 6	24	8	16	6009531
110 x 200	4 x 8	30	10	20	6009583
160 x 250	6 x 10	36	12	24	6009627
200 x 315	8 x 12	42	14	28	6009660

Size		PVDF x PRO45 MOP 5 PSI			
mm	inch	L	L1	L2	Part Number
63 x 110	2 x 4	18	6	12	6109420
90 x 160	3 x 6	24	8	16	6109531
110 x 200	4 x 8	30	10	20	6109583
160 x 250	6 x 10	36	12	24	6109627
200 x 315	8 x 12	42	14	28	6109660
250 x 355	10 x 14	48	16	32	6109702
315 x 400	12 x 16	54	18	36	6109690

Double Wall  
Piping System



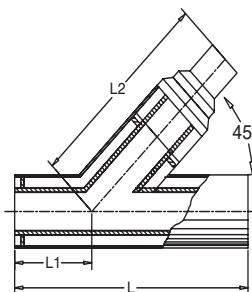
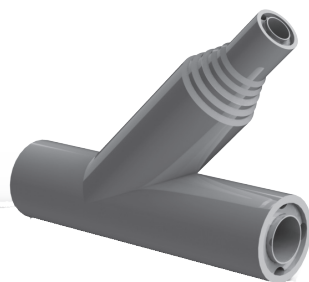
**LATERAL WITH 1/8 BEND**

Size		PVDF x PVDF MOP 5 PSI				Part Number
mm	inch	L	L1	H1		
32 x 90	1 x 3	N/A	N/A	N/A	6211134	
63 x 110	2 x 4	18	18	16.5	6211420	
90 x 160	3 x 6	24	23.25	21.5	6211531	
110 x 200	4 x 8	30	28.5	24	6211583	
160 x 250	6 x 10	36	33	26.75	6211627	
200 x 315	8 x 12	42	38.125	30.375	6211660	

Size		PVDF x PRO150 MOP 5 PSI				Part Number
mm	inch	L	L1	H1		
32 x 90	1 x 3	18	17.25	15.25	6011134	
63 x 110	2 x 4	18	18	16.5	6011420	
90 x 160	3 x 6	24	23.25	21.5	6011531	
110 x 200	4 x 8	30	38.5	25	6011583	
160 x 250	6 x 10	36	34.75	31.25	6011627	
200 x 315	8 x 12	42	40.75	36.75	6011660	

Size		PVDF x PRO45 MOP 5 PSI				Part Number
mm	inch	L	L1	H1		
63 x 110	2 x 4	18	18	16.5	6111420	
90 x 160	3 x 6	24	23.25	21.5	6111531	
110 x 200	4 x 8	30	28.5	24	6111583	
160 x 250	6 x 10	36	33	26.75	6111627	
200 x 315	8 x 12	42	38.125	30.375	6111660	
250 x 355	10 x 14	48	45.5	39.125	6111702	
315 x 400	12 x 16	54	51.75	45.375	6111690	

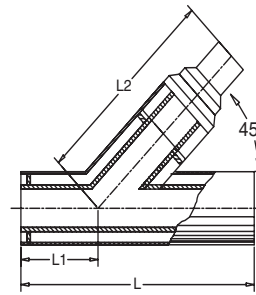
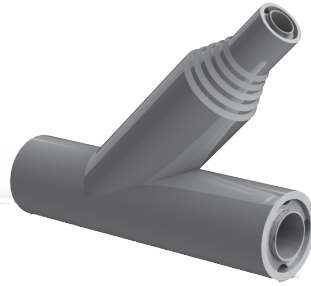




### REDUCING LATERAL

Size		PVDF x PVDF			
		MOP 5 PSI			
mm	inch	L	L1	L2	Part Number
(90 x 63)(160 x 110)	(3x2)(6x4)	24	8	16.5	6219743
(110 x 63)(200 x 110)	(4x2)(8x4)	30	20	25.25	6219744
(140 x 90)(200 x 160)	(4x3)(8x6)	30	20	22	6219746
(160 x 63)(250 x 110)	(6x2)(10x4)	36	12	31.75	6219892
(160 x 90)(250 x 160)	(6x3)(10x6)	36	12	27	6219747
(160 x 110)(250 x 200)	(6x4)(10x8)	36	12	25.25	6219748
(200 x 63)(315 x 110)	(8x2)(12x4)	42	14	36.37	6219890
(200 x 90)(315 x 160)	(8x3)(12x6)	42	14	34.5	6219896
(200 x 110)(315 x 200)	(8x4)(12x8)	42	14	32.75	6219895
(200 x 160)(315 x 250)	(8x6)(12x10)	42	14	29.75	6219893

Double Wall  
Piping System

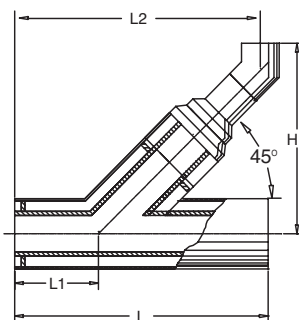
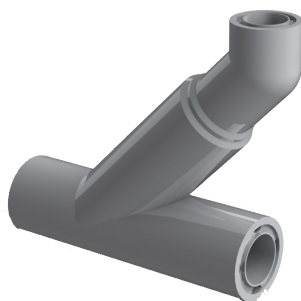


**REDUCING LATERAL**

Size		PVDF x PRO150			
		MOP 5 PSI			
mm	inch	L	L1	L2	Part Number
(90 x 63)(160 x 110)	(3x2)(6x4)	24	8	16.5	6019743
(110 x 63)(200 x 110)	(4x2)(8x4)	30	20	25.5	6019744
(140 x 90)(200 x 160)	(4x3)(8x6)	30	20	22	6019746
(160 x 63)(250 x 110)	(6x2)(10x4)	36	12	31.76	6019892
(160 x 90)(250 x 160)	(6x3)(10x6)	36	12	27	6019747
(160 x 110)(250 x 200)	(6x4)(10x8)	36	12	25.25	6019748
(200 x 63)(315 x 110)	(8x2)(12x4)	42	14	36.37	6019890
(200 x 90)(315 x 160)	(8x3)(12x6)	42	14	34.5	6019896
(200 x 110)(315 x 200)	(8x4)(12x8)	42	14	32.75	6019895
(200 x 160)(315 x 250)	(8x6)(12x10)	42	14	29.75	6019893
(250 x 90)(355 x 160)	(10x3)(14x6)	48	16	40.37	6019898

Size		PVDF x PRO45			
		MOP 5 PSI			
mm	inch	L	L1	L2	Part Number
(90 x 63)(160 x 110)	(3x2)(6x4)	24	8	16.5	6119743
(110 x 63)(200 x 110)	(4x2)(8x4)	30	10	25.25	6119744
(140 x 90)(200 x 160)	(4x3)(8x6)	30	10	22	6119746
(160 x 63)(250 x 110)	(6x2)(10x4)	36	12	31.75	6119892
(160 x 90)(250 x 160)	(6x3)(10x6)	36	12	27	6119747
(160 x 110)(250 x 200)	(6x4)(10x8)	36	12	25.25	6119748
(200 x 63)(315 x 110)	(8x2)(12x4)	42	14	36.37	6119890
(200 x 90)(315 x 160)	(8x3)(12x6)	42	14	34.5	6119896
(200 x 110)(315 x 200)	(8x4)(12x8)	42	14	32.75	6119895
(200 x 160)(315 x 250)	(8x6)(12x10)	42	14	29.75	6119893
(250 x 90)(355 x 160)	(10x3)(14x6)	48	16	40.37	6119898
(250 x 110)(355 x 200)	(10x4)(14x8)	48	16	37.5	6119903
(250 x 160)(355 x 250)	(10x6)(14x10)	48	16	34.5	6119902
(250 x 200)(355 x 315)	(10x8)(14x12)	48	16	30.5	6119899
(315 x 110)(400 x 200)	(12x4)(16x8)	54	18	35	6119923
(315 x 160)(400 x 200)	(12x6)(16x10)	54	18	40.5	6119904
(315 x 200)(400 x 355)	(12x8)(16x12)	54	18	36.15	6119915
(355 x 250)(400 x 355)	(12x10)(16x14)	54	18	35.5	6119910

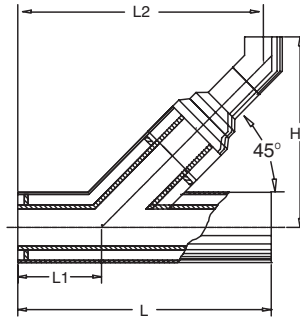
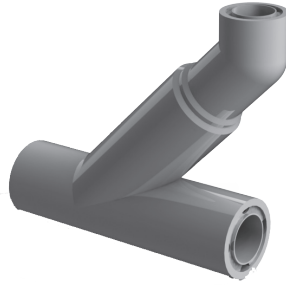




### REDUCING LATERAL WITH 1/8 BEND

Size		PVDF x PVDF					Part Number
		MOP 5 PSI					
mm	inch	L	L1	L2	H1		
(90 x 63)(160 x 110)	(3x2)(6x4)	24	8	21.5	20.25	6221743	
(110 x 63)(200 x 110)	(4x2)(8x4)	30	10	30	26.25	6221744	
(140 x 90)(200 x 160)	(4x3)(8x6)	36	10	28	25.75	6221746	
(160 x 63)(250 x 110)	(6x2)(10x4)	36	12	32.75	29.25	6221892	
(160 x 90)(250 x 160)	(6x3)(10x6)	36	12	32.75	29.25	6221747	
(160 x 110)(250 x 200)	(6x4)(10x8)	36	12	31	28	6221748	
(200 x 63)(315 x 110)	(8x2)(12x4)	42	14	40.5	34.75	6221890	
(200 x 90)(315 x 160)	(8x3)(12x6)	42	14	40.5	34.75	6221896	
(200 x 110)(315 x 200)	(8x4)(12x8)	42	14	38.75	33.5	6221895	
(200 x 160)(315 x 250)	(8x6)(12x10)	42	14	35.75	31.25	6221893	

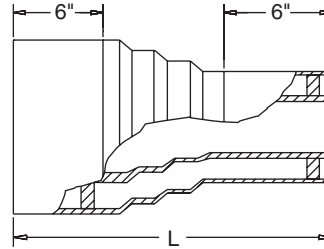
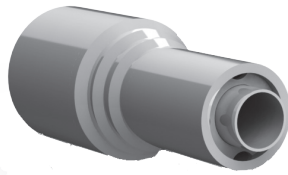
Double Wall  
Piping System



## REDUCING LATERAL WITH 1/8 BEND

Size		PVDF x PRO150				
		MOP 5 PSI				
mm	inch	L	L1	L2	H1	Part Number
(90 x 63)(160 x 110)	(3x2)(6x4)	24	8	21.5	20.25	6021743
(110 x 63)(200 x 110)	(4x2)(8x4)	30	10	30	26.25	6021744
(140 x 90)(200 x 160)	(4x3)(8x6)	36	10	28	25.75	6021746
(160 x 63)(250 x 110)	(6x2)(10x4)	36	12	32.75	29.25	6021892
(160 x 90)(250 x 160)	(6x3)(10x6)	36	12	32.75	29.25	6021747
(160 x 110)(250 x 200)	(6x4)(10x8)	36	12	31	28	6021748
(200 x 63)(315 x 110)	(8x2)(12x4)	42	14	40.5	34.75	6021890
(200 x 90)(315 x 160)	(8x3)(12x6)	42	14	40.5	34.75	6021896
(200 x 110)(315 x 200)	(8x4)(12x8)	42	14	38.75	33.5	6021895
(200 x 160)(315 x 250)	(8x6)(12x10)	42	14	35.75	31.25	6021893

Size		PVDF x PRO45				
		MOP 5 PSI				
mm	inch	L	L1	L2	H1	Part Number
(90 x 63)(160 x 110)	(3x2)(6x4)	24	8	21.5	20.25	6121743
(110 x 63)(200 x 110)	(4x2)(8x4)	30	10	30	26.25	6121744
(140 x 90)(200 x 160)	(4x3)(8x6)	36	10	28	25.75	6121746
(160 x 63)(250 x 110)	(6x2)(10x4)	36	12	32.75	29.25	6121892
(160 x 90)(250 x 160)	(6x3)(10x6)	36	12	32.75	29.25	6121747
(160 x 110)(250 x 200)	(6x4)(10x8)	36	12	31	28	6121748
(200 x 63)(315 x 110)	(8x2)(12x4)	42	14	40.5	34.75	6121890
(200 x 90)(315 x 160)	(8x3)(12x6)	42	14	40.5	34.75	6121896
(200 x 110)(315 x 200)	(8x4)(12x8)	42	14	38.75	33.5	6121895
(200 x 160)(315 x 250)	(8x6)(12x10)	42	14	35.75	31.25	6121893
(250 x 90)(355 x 160)	(10x3)(14x6)	48	16	46.5	40	6121898
(250 x 110)(355 x 200)	(10x4)(14x8)	48	16	43.5	37	6121903
(250 x 160)(355 x 250)	(10x6)(14x10)	48	16	40.5	34.5	6121902
(250 x 200)(355 x 315)	(10x8)(14x12)	48	16	37	32	6121899
(315 x 110)(400 x 200)	(12x4)(16x8)	54	18	50	41	6121923
(315 x 160)(400 x 200)	(12x6)(16x10)	54	18	47	39	6121904
(315 x 200)(400 x 355)	(12x8)(16x12)	54	18	44	37	6121915
(355 x 250)(400 x 355)	(12x10)(16x14)	54	18	41.5	35	6121910



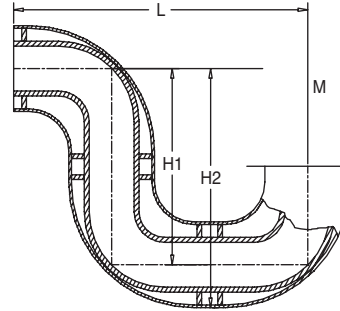
**CONCENTRIC REDUCER**

Size		PVDF x PVDF MOP 150 PSI	
mm	inch	L	Part Number
(63x32)(110x90)	(2x1)(4x3)	13.13	6215740
(90x32)(160x90)	(3x1)(6x3)	16.5	6215741
(90x63)(160x110)	(3x2)(6x4)	15.25	6215743
(110x63)(200x110)	(4x2)(8x4)	17.75	6215744
(110x90)(200x160)	(4x3)(8x6)	14.5	6215746
(160x110)(250x200)	(6x4)(10x8)	15.75	6215748
(160x90)(250x160)	(6x3)(10x6)	17.75	6215747
(160x63)(250x110)	(6x2)(10x4)	19	6215892
(200x160)(315x250)	(8x6)(12x10)	18	6215893
(200x110)(315x200)	(8x4)(12x8)	19	6215895
(200x90)(315x160)	(8x3)(12x6)	21	6215896

Size		PVDF x PRO150 MOP 150 PSI	
mm	inch	L	Part Number
(63x32)(110x90)	(2x1)(4x3)	13.13	6015740
(90x32)(160x90)	(3x1)(6x3)	16.50	6015741
(90x63)(160x110)	(3x2)(6x4)	15.25	6015743
(110x63)(200x110)	(4x2)(8x4)	17.75	6015744
(110x90)(200x160)	(4x3)(8x6)	14.50	6015746
(160x110)(250x200)	(6x4)(10x8)	15.75	6015748
(160x90)(250x160)	(6x3)(10x6)	17.75	6015747
(160x63)(250x110)	(6x2)(10x4)	19.00	6015892
(200x160)(315x250)	(8x6)(12x10)	16.00	6015893
(200x110)(315x200)	(8x4)(12x8)	19.00	6015895
(200x90)(315x160)	(8x3)(12x6)	21.00	6015896

Size		PVDF x PRO45 MOP 150 x 45 PSI	
mm	inch	L	Part Number
(90x63)(160x110)	(3x2)(6x4)	15.25	6115743
(110x63)(200x110)	(4x2)(8x4)	17.75	6115744
(110x90)(200x160)	(4x3)(8x6)	14.50	6115746
(160x110)(250x200)	(6x4)(10x8)	15.75	6115748
(160x90)(250x160)	(6x3)(10x6)	17.75	6115747
(160x63)(250x110)	(6x2)(10x4)	19.00	6115892
(200x160)(315x250)	(8x6)(12x10)	16.00	6115893
(200x110)(315x200)	(8x4)(12x8)	19.00	6115895
(200x90)(315x160)	(8x3)(12x6)	21.00	6115896
(250x200)(355x315)	(10x8)(14x12)	14.65	6115899
(250x160)(355x250)	(10x6)(14x10)	17.52	6115902
(250x110)(355x200)	(10x4)(14x8)	19.96	6115903

Double Wall  
Piping System



**P-TRAP**

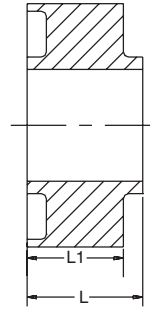
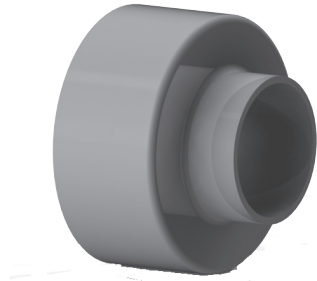
Size		PVDF x PVDF			
		MOP 150 PSI			
mm	inch	L	H1	H2	Part Number
32 x 90	1 x 3	14.50	9.63	11.38	6207134
63 x 110	2 x 4	14.25	9.44	11.69	6207420
90 x 160	3 x 6	21.00	13.94	17.50	6207531
110 x 200	4 x 8	25.63	17.06	21.38	6207583
160 x 250	6 x 10	33.44	22.19	27.75	6207627

Size		PVDF x PRO150			
		MOP 150 PSI			
mm	inch	L	H1	H2	Part Number
32 x 90	1 x 3	11.57	7.63	9.40	6007134
63 x 110	2 x 4	14.42	9.53	11.70	6007420
90 x 160	3 x 6	21.02	13.93	17.08	6007531
110 x 200	4 x 8	23.36	15.49	19.43	6007583
160 x 250	6 x 10	33.44	22.21	27.13	6007627
200 x 315	8 x 12	39.95	26.55	32.75	6007660

Size		PVDF x PRO45			
		MOP 150 x 45 PSI			
mm	inch	L	H1	H2	Part Number
63 x 110	2 x 4	14.25	9.44	11.69	6107420
90 x 160	3 x 6	21.00	13.94	17.50	6107531
110 x 200	4 x 8	25.63	17.06	21.38	6107583
160 x 250	6 x 10	33.44	22.19	27.75	6107627
200 x 315	8 x 12	35.63	26.25	32.75	6107660

Duo-Pro®  
PVDF





**DOGBONE® END TERMINATION**

Size		PVDF x PVDF		
		MOP 150 PSI		
mm	inch	L	L2	Part Number
32 x 90	1 x 3	3.00	2.25	6228134
63 x 110	2 x 4	3.00	2.25	6228420
90 x 160	3 x 6	3.00	2.25	6228531
110 x 200	4 x 8	3.00	2.25	6228583
160 x 250	6 x 10	3.00	2.25	6228627
200 x 315	8 x 12	3.00	2.25	6228660

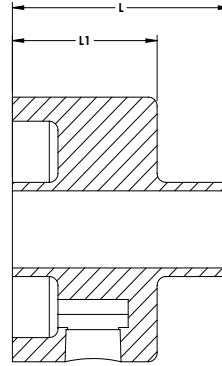
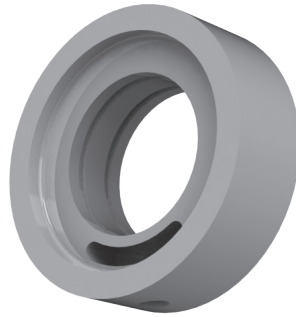
Size		PVDF x PRO150	
		MOP 150 PSI	
mm	inch	L	Part Number
32 x 90	1 x 3	3.00	6033134
63 x 110	2 x 4	3.00	6033420
90 x 160	3 x 6	3.00	6033531
110 x 200	4 x 8	3.00	6033583
160 x 250	6 x 10	3.00	6033627
200 x 315	8 x 12	3.00	6033660
250 x 355	10 x 14	2.25	6033702

O-ring style Dogbone®

Size		PVDF x PRO45	
		MOP 150 x 45 PSI	
mm	inch	L	Part Number
63 x 110	2 x 4	3.00	6137420
90 x 160	3 x 6	3.00	6137531
110 x 200	4 x 8	3.00	6137583
160 x 250	6 x 10	3.00	6137627
200 x 315	8 x 12	3.00	6137660
250 x 355	10 x 14	2.25	6137702
315 x 400	12 x 16	2.25	6137690

O-ring style Dogbone®.

Double Wall  
Piping System



## DOGBONE® END TERMINATION WITH 1/2 TAP

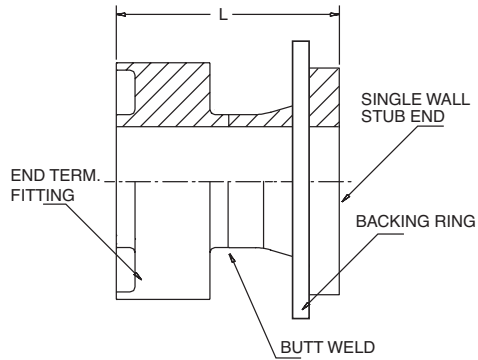
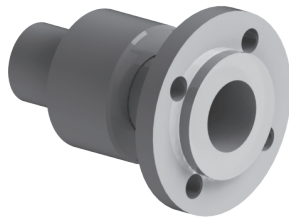
Size		PVDF x PVDF MOP 150 PSI	
mm	inch	L	Part Number
32 x 90	1 x 3	3.0	6224134
63 x 110	2 x 4	3.0	6224420
90 x 160	3 x 6	3.0	6224531
110 x 200	4 x 8	3.0	6224583
160 x 250	6 x 10	3.0	6224627
200 x 315	8 x 12	3.0	6224660

Size		PVDF x PRO150 MOP 150 PSI	
mm	inch	L	Part Number
32 x 90	1 x 3	3.0	6034134
63 x 110	2 x 4	3.0	6034420
90 x 160	3 x 6	3.0	6034531
110 x 200	4 x 8	3.0	6034583
160 x 250	6 x 10	3.0	6034627
200 x 315	8 x 12	3.0	6034660
250 x 355	10 x 14	3.0	6034702

O-ring style Dogbone®.

Size		PVDF x PRO45 MOP 150 x 45 PSI	
mm	inch	L	Part Number
63 x 110	2 x 4	3.0	6138420
90 x 160	3 x 6	3.0	6138531
110 x 200	4 x 8	3.0	6138583
160 x 250	6 x 10	3.0	6138627
200 x 315	8 x 12	3.0	6138660
250 x 355	10 x 14	3.0	6138702
315 x 400	12 x 16	3.0	6138690

O-ring style Dogbone®.



**DOGBONE® FLANGED END TERMINATION**

Size		PVDF x PVDF MOP 150 PSI	
mm	inch	L	Part Number
32 x 90	1 x 3	4.75	6230134
63 x 110	2 x 4	4.75	6230420
90 x 160	3 x 6	6	6230531
110 x 200	4 x 8	6	6230583
160 x 250	6 x 10	6	6230627
200 x 315	8 x 12	6	6230660

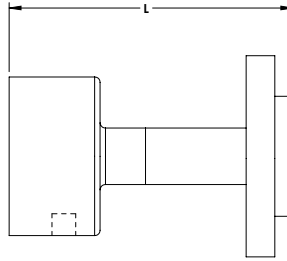
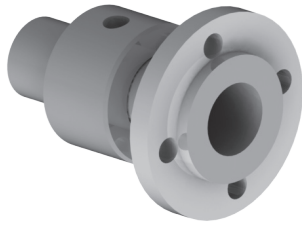
Size		PVDF x PRO150 MOP 150 PSI	
mm	inch	L	Part Number
32 x 90	1 x 3	4.75	6035134
63 x 110	2 x 4	4.75	6035420
90 x 160	3 x 6	6	6035531
110 x 200	4 x 8	6	6035583
160 x 250	6 x 10	6	6035627
200 x 315	8 x 12	6	6035660
250 x 355	10 x 14	7	6035702

O-ring style Dogbone®.

Size		PVDF x PRO45 MOP 150 x 45 PSI	
mm	inch	L	Part Number
63 x 110	2 x 4	4.75	6139420
90 x 160	3 x 6	6	6139531
110 x 200	4 x 8	6	6139583
160 x 250	6 x 10	6	6139627
200 x 315	8 x 12	6	6139660
250 x 355	10 x 14	7	6139702
315 x 400	12 x 16	7.25	6139690

O-ring style Dogbone®.

Double Wall  
Piping System



**DOGBONE® FLANGED END TERMINATION WITH 1/2 TAP**

Size		PVDF x PVDF MOP 150 PSI	
mm	inch	L	Part Number
32 x 90	1 x 3	4.75	6231134
63 x 110	2 x 4	4.75	6231420
90 x 160	3 x 6	6	6231531
110 x 200	4 x 8	6	6231583
160 x 250	6 x 10	6	6231627
200 x 315	8 x 12	6	6231660

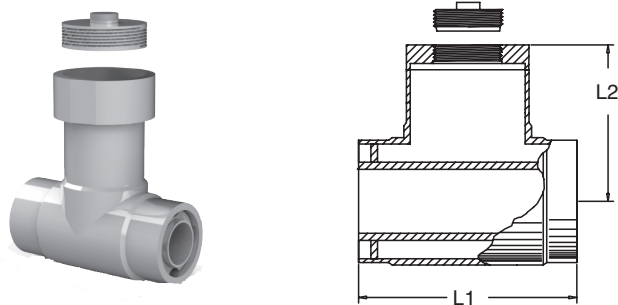
Size		PVDF x PRO150 MOP 150 PSI	
mm	inch	L	Part Number
32 x 90	1 x 3	4.75	6036134
63 x 110	2 x 4	4.75	6036420
90 x 160	3 x 6	6	6036531
110 x 200	4 x 8	6	6036583
160 x 250	6 x 10	6	6036627
200 x 315	8 x 12	6	6036660
250 x 355	10 x 14	7	6036702

O-ring style Dogbone®.

Size		PVDF x PRO45 MOP 150 x 45 PSI	
mm	inch	L	Part Number
63 x 110	2 x 4	4.75	6140420
90 x 160	3 x 6	6	6140531
110 x 200	4 x 8	6	6140583
160 x 250	6 x 10	6	6140627
200 x 315	8 x 12	6	6140660
250 x 355	10 x 14	7	6140702
315 x 400	12 x 16	7.25	6140690

O-ring style Dogbone®.





**ACCESS TEE WITH THREADED PLUG\***

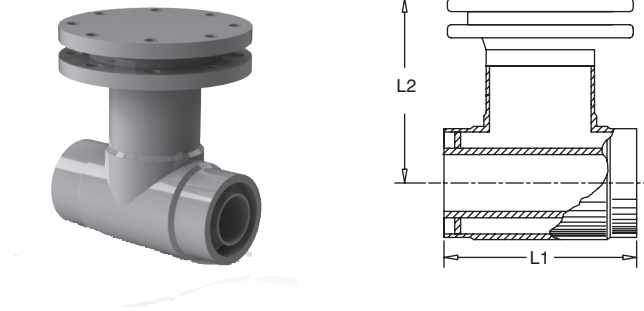
Size		PVDF x PVDF SDR 33 / PN 3 / 45 PSI		
mm	inch	L1	L2	Part Number
32 x 90	1 x 3	7.25	6.63	6204134
63 x 110	2 x 4	9.50	7.25	6204420
90 x 160	3 x 6	13.00	9.75	6204531
110 x 200	4 x 8	15.63	11.00	6204583
160 x 250	6 x 10	17.50	12.25	6204627

Size		PVDF x PRO150 SDR 11/ PN 10/ 150 PSI		
mm	inch	L1	L2	Part Number
32 x 90	1 x 3	7.25	6.63	6004134
63 x 110	2 x 4	9.50	7.25	6004420
90 x 160	3 x 6	13.00	9.75	6004531
110 x 200	4 x 8	15.63	11.00	6004583
160 x 250	6 x 10	17.50	12.25	6004627
200 x 315	8 x 12	21.75	13.75	6004660
250 x 355	10 x 14	27.00	15.25	6004702

Size		PVDF x PRO45 SDR 11 x 33/ PN 10 x 3 / 150 x 45 PSI		
mm	inch	L1	L2	Part Number
63 x 110	2 x 4	9.50	7.25	6104420
90 x 160	3 x 6	13.00	9.75	6104531
110 x 200	4 x 8	15.63	11.00	6104583
160 x 250	6 x 10	17.50	12.25	6104627
200 x 315	8 x 12	21.75	13.75	6104660
250 x 355	10 x 14	27.00	15.25	6104702
315 x 400	12 x 16	27.00	16.76	6104690

Includes EPDM gasket. Threaded plug rated 5psi

Double Wall  
Piping System



### ACCESS TEE WITH FLANGED COVER

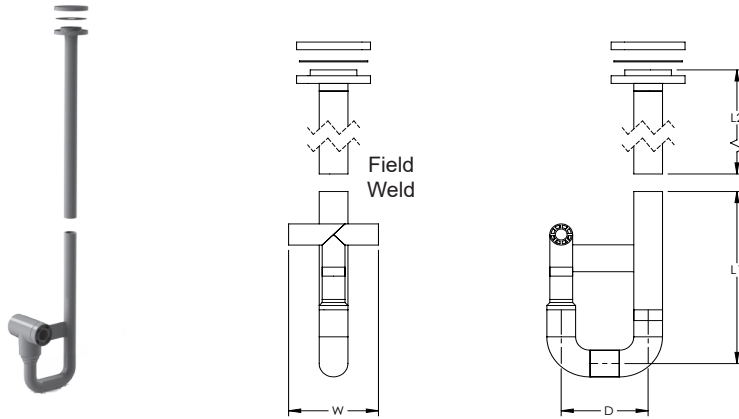
Size		PVDF x PVDF		
		MOP 150 PSI		
mm	inch	L1	L2	Part Number
32 x 90	1 x 3	7.00	7.00	6202134
63 x 110	2 x 4	8.50	7.50	6202420
90 x 160	3 x 6	11.00	8.00	6202531
110 x 200	4 x 8	17.50	12.75	6202583
160 x 250	6 x 10	19.50	13.25	6202627

Size		PVDF x PRO150		
		MOP 150 PSI		
mm	inch	L1	L2	Part Number
32 x 90	1 x 3	7.30	8.00	6002134
63 x 110	2 x 4	9.50	8.50	6002420
90 x 160	3 x 6	13.00	11.00	6002531
110 x 200	4 x 8	15.16	12.75	6002583
160 x 250	6 x 10	17.30	13.25	6002627

Size		PVDF x PRO45		
		MOP 150 x 45 PSI		
mm	inch	L1	L2	Part Number
63 x 110	2 x 4	8.78	7.40	6102420
90 x 160	3 x 6	13.62	9.92	6102531
110 x 200	4 x 8	15.14	12.42	6102583
160 x 250	6 x 10	18.70	14.52	6102627
250 x 355	10 x 14	26.93	18.18	6102702
315 x 400	12 x 16	27.48	18.70	6102690

Includes EPDM gasket - does not include nuts and bolts.





**LOW POINT LEAK DETECTION STATION**

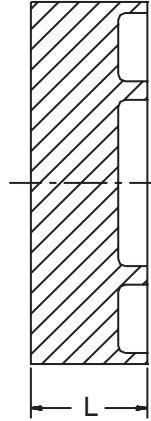
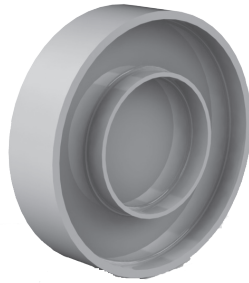
Size		PVDF x PVDF MOP 150 PSI				
mm	inch	D	W	H1	H2	Part Number
32 x 90	1 x 3	10.38	9.63	19.13	36.00	6252134
63 x 110	2 x 4	8.00	8.00	18.00	36.00	6252420
90 x 160	3 x 6	16.00	9.75	13.38	36.00	6252531
110 x 200	4 x 8	14.50	9.50	14.50	36.00	6252583
160 x 250	6 x 10	24.00	13.00	14.00	36.00	6252627
200 x 315	8 x 12	18.75	13.50	18.00	36.00	6252660

Size		PVDF x PRO150 MOP 150 PSI				
mm	inch	D	W	H1	H2	Part Number
32 x 90	1 x 3	10.38	9.63	19.13	36.00	6052134
63 x 110	2 x 4	8.00	8.00	18.00	36.00	6052420
90 x 160	3 x 6	16.00	9.75	13.38	36.00	6052531
110 x 200	4 x 8	14.50	9.50	14.50	36.00	6052583
160 x 250	6 x 10	24.00	13.00	14.00	36.00	6052627
200 x 315	8 x 12	18.75	13.50	18.00	36.00	6052660
250 x 355	10 x 14	22.00	13.50	18.00	36.00	6052702
315 x 400	12 x 16	23.00	16.00	13.00	36.00	6052690

Size		PVDF x PRO45 MOP 150 x 45 PSI				
mm	inch	D	W	H1	H2	Part Number
63 x 110	2 x 4	8.00	8.00	18.00	36.00	6152420
90 x 160	3 x 6	16.00	9.75	13.38	36.00	6152531
110 x 200	4 x 8	14.50	9.50	14.50	36.00	6152583
160 x 250	6 x 10	24.00	13.00	14.00	36.00	6152627
200 x 315	8 x 12	18.75	13.50	18.00	36.00	6152660
250 x 355	10 x 14	22.00	13.50	18.00	36.00	6152702
315 x 400	12 x 16	23.00	16.00	13.00	36.00	6152690

Station consists of access tee, (two) -90's, 2" or 4" riser pipe (4' long), stub end, backing ring and flange. Includes EPDM gasket - does not include nuts and bolts. Access cover to be shipped separately and installed in field.

Double Wall Piping System

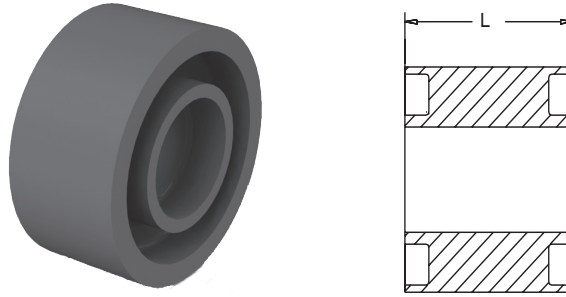


**CAP**

Size		PVDF x PVDF	
		MOP 150 PSI	
mm	inch	L	Part Number
32 x 90	1 x 3	2.00	6251134
63 x 110	2 x 4	2.00	6251420
90 x 160	3 x 6	2.00	6251531
110 x 200	4 x 8	2.00	6251583
160 x 250	6 x 10	2.00	6251627
200 x 315	8 x 12	2.00	6251660

Caps are not available in dissimilar material systems.





**SOLID DOGBONE®**

Size		PVDF x PVDF MOP 150 PSI	
mm	inch	L	Part Number
32 x 90	1 x 3	3.00	6226134
63 x 110	2 x 4	3.00	6226420
90 x 160	3 x 6	3.00	6226531
110 x 200	4 x 8	3.00	6226583
160 x 250	6 x 10	3.00	6226627
200 x 315	8 x 12	3.00	6226660

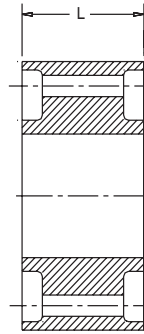
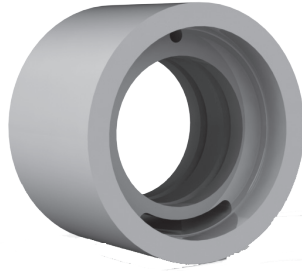
Size		PVDF x PRO150 MOP 150 PSI	
mm	inch	L	Part Number
32 x 90	1 x 3	3.00	6026134
63 x 110	2 x 4	3.00	6026420
90 x 160	3 x 6	3.00	6026531
110 x 200	4 x 8	3.00	6026583
160 x 250	6 x 10	3.00	6026627
200 x 315	8 x 12	3.00	6026660
250 x 355	10 x 14	2.25	6026702
315 x 400	12 x 16	2.25	6026690

O-ring style Dogbone®.

Size		PVDF x PRO45 MOP 150 x 45 PSI	
mm	inch	L	Part Number
63 x 110	2 x 4	3.00	6132420
90 x 160	3 x 6	3.00	6132531
110 x 200	4 x 8	3.00	6132583
160 x 250	6 x 10	3.00	6132627
200 x 315	8 x 12	3.00	6132660
250 x 355	10 x 14	2.25	6132702
315 x 400	12 x 16	2.25	6132690

O-ring style Dogbone®.

Double Wall  
Piping System



**ANNULAR DOGBONE®**

Size		PVDF x PVDF MOP 150 PSI	
mm	inch	L	Part Number
32 x 90	1 x 3	3.0	6229134
63 x 110	2 x 4	3.0	6229420
90 x 160	3 x 6	3.0	6229531
110 x 200	4 x 8	3.0	6229583
160 x 250	6 x 10	3.0	6229627
200 x 315	8 x 12	3.0	6229660

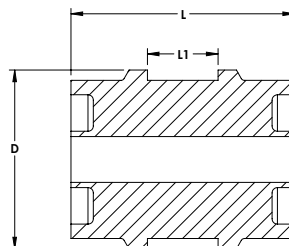
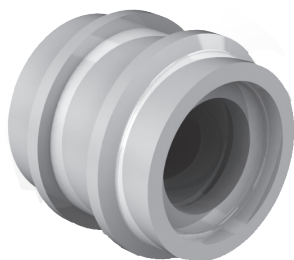
Size		PVDF x PRO150 MOP 150 PSI	
mm	inch	L	Part Number
32 x 90	1 x 3	3.0	6028134
63 x 110	2 x 4	3.0	6028420
90 x 160	3 x 6	3.0	6028531
110 x 200	4 x 8	3.0	6028583
160 x 250	6 x 10	3.0	6028627
200 x 315	8 x 12	3.0	6028660
250 x 355	10 x 14	3.0	6028702
315 x 400	12 x 16	3.0	6028690

O-ring style Dogbone®.

Size		PVDF x PRO45 MOP 150 x 45 PSI	
mm	inch	L	Part Number
63 x 110	2 x 4	3.0	6135420
90 x 160	3 x 6	3.0	6135531
110 x 200	4 x 8	3.0	6135583
160 x 250	6 x 10	3.0	6135627
200 x 315	8 x 12	3.0	6135660
250 x 355	10 x 14	3.0	6135702
315 x 400	12 x 16	3.0	6135690

O-ring style Dogbone®.





**SOLID RESTRAINT DOGBONE®**

Size		PVDF x PVDF MOP 150 PSI			
mm	inch	L	L1	D	Part Number
32 x 90	1 x 3	3.63	1.63	4.54	6227134
63 x 110	2 x 4	3.63	1.63	5.33	6227420
90 x 160	3 x 6	4.40	2.40	7.30	6227531
110 x 200	4 x 8	4.40	2.40	8.87	6227583
160 x 250	6 x 10	3.63	1.63	10.84	6227627
200 x 315	8 x 12	3.63	1.63	13.40	6227660

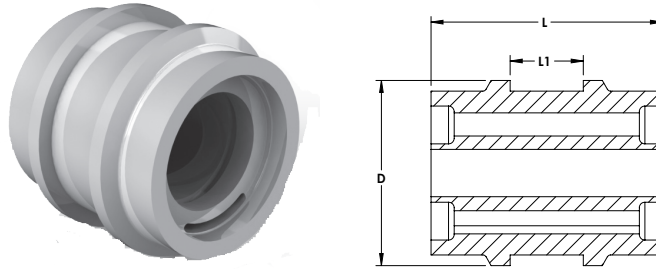
Size		PVDF x PRO150 MOP 150 PSI			
mm	inch	L	L1	D	Part Number
32 x 90	1 x 3	3.63	1.63	4.54	6027134
63 x 110	2 x 4	3.63	1.63	5.33	6027420
90 x 160	3 x 6	4.40	2.40	7.30	6027531
110 x 200	4 x 8	4.40	2.40	8.87	6027583
160 x 250	6 x 10	3.63	1.63	10.84	6027627
200 x 315	8 x 12	3.63	1.63	13.40	6027660
250 x 355	10 x 14	5.00	1.58	14.75	6027702
315 x 400	12 x 16	5.00	1.58	16.75	6027690

O-ring style Dogbone®

Size		PVDF x PRO45 MOP 150 x 45 PSI			
mm	inch	L	L1	D	Part Number
63 x 110	2 x 4	3.63	1.63	5.33	6133420
90 x 160	3 x 6	4.40	2.40	7.30	6133531
110 x 200	4 x 8	4.40	2.40	8.87	6133583
160 x 250	6 x 10	3.63	1.63	10.84	6133627
200 x 315	8 x 12	3.63	1.63	13.40	6133660
250 x 355	10 x 14	5.00	1.58	14.75	6133702
315 x 400	12 x 16	5.00	1.58	16.75	6133690

O-ring style Dogbone®

**Double Wall  
Piping System**



## ANNULAR RESTRAINT DOGBONE®

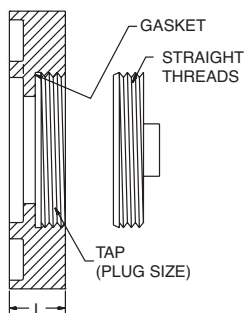
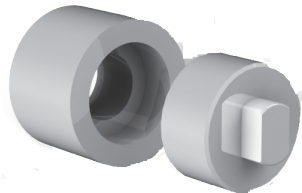
Size		PVDF x PVDF MOP 150 PSI			
		L	L1	D	Part Number
32 x 90	1 x 3	3.63	1.63	4.54	6237134
63 x 110	2 x 4	3.63	1.63	5.33	6237420
90 x 160	3 x 6	4.40	2.40	7.30	6237531
110 x 200	4 x 8	4.40	2.40	8.87	6237583
160 x 250	6 x 10	3.63	1.63	10.84	6237627
200 x 315	8 x 12	3.63	1.63	13.40	6237660

Size		PVDF x P150 MOP 150 PSI			
		L	L1	D	Part Number
32 x 90	1 x 3	3.63	1.63	4.54	6029134
63 x 110	2 x 4	3.63	1.63	5.33	6029420
90 x 160	3 x 6	4.40	2.40	7.30	6029531
110 x 200	4 x 8	4.40	2.40	8.87	6029583
160 x 250	6 x 10	3.63	1.63	10.84	6029627
200 x 315	8 x 12	3.63	1.63	13.40	6029660
250 x 355	10 x 14	5.00	1.58	14.75	6029702
315 x 400	12 x 16	5.00	1.58	16.75	6029690

O-ring style Dogbone®

Size		PVDF x P45 MOP 150 x 45 PSI			
		L	L1	D	Part Number
63 x 110	2 x 4	3.63	1.63	5.33	6136420
90 x 160	3 x 6	4.40	2.40	7.30	6136531
110 x 200	4 x 8	4.40	2.40	8.87	6136583
160 x 250	6 x 10	3.63	1.63	10.84	6136627
200 x 315	8 x 12	3.63	1.63	13.40	6136660
250 x 355	10 x 14	5.00	1.58	14.75	6136702
315 x 400	12 x 16	5.00	1.58	16.75	6136690

O-ring style Dogbone®



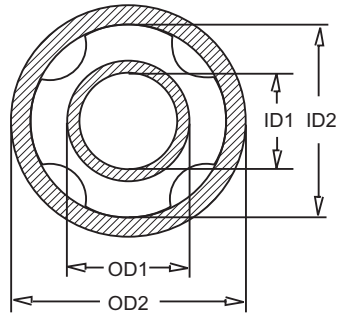
**CLEANOUT WITH PLUG\***

Size		PVDF x PVDF MOP 5 PSI		
mm	inch	L	Tap	Part Number
32 x 90	1 x 3	3.00	2.00	6232134
63 x 110	2 x 4	3.00	3.00	6232420
90 x 160	3 x 6	3.00	4.00	6232531
110 x 200	4 x 8	3.00	4.00	6232583
160 x 250	6 x 10	3.00	6.00	6232627
200 x 315	8 x 12	3.00	6.00	6232660

\*Includes EPDM gasket. Threaded plug rated 5psi

*Page intentionally left blank*

Duo-Pro®  
PVDF



**SIMULTANEOUS WELD PIPE\*** 5 meter (16.4') lengths

Size		ECTFE x ECTFE				
		MOP 150 PSI				
mm	inch	OD1	OD2	ID1	ID2	Part Number
32 x 90	1 x 3	1.26	3.54	1.07	3.32	8802134
63 x 110	2 x 4	2.48	4.33	2.24	4.06	8802420
90 x 160	3 x 6	3.54	6.30	3.20	6.14	8802531
110 x 200	4 x 8	4.73	7.87	5.91	7.48	8802583

\*Pipe is sold in 5 meter lengths (16.4').

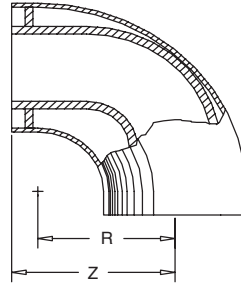
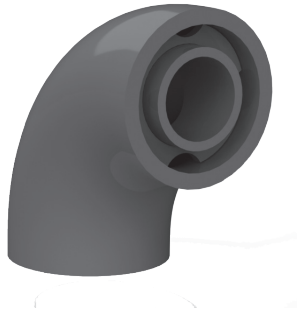
**STAGGERED WELD PIPE\*** 5 meter (16.4') lengths

Size		ECTFE x PRO150				
		MOP 150 PSI				
mm	inch	OD1	OD2	ID1	ID2	Part Number
32 x 90	1 x 3	1.26	3.54	1.07	2.90	8102134
63 x 110	2 x 4	2.48	4.33	2.24	3.54	8102420
90 x 160	3 x 6	3.54	6.30	3.32	5.15	8102531
110 x 200	4 x 8	4.33	7.87	4.06	6.44	8102583

\*Staggered welding of dissimilar materials requires two welding machines and special installation. Asahi Field tech training highly recommended.

Size		ECTFE x PRO45				
		MOP 150 x 45 PSI				
mm	inch	OD1	OD2	ID1	ID2	Part Number
63 x 110	2 x 4	2.48	4.33	4.06	2.24	8202420
90 x 160	3 x 6	3.54	6.30	5.91	3.32	8202531
110 x 200	4 x 8	4.33	7.87	7.39	4.06	8202583

\*Staggered welding of dissimilar materials requires two welding machines and special installation. Asahi Field tech training highly recommended.



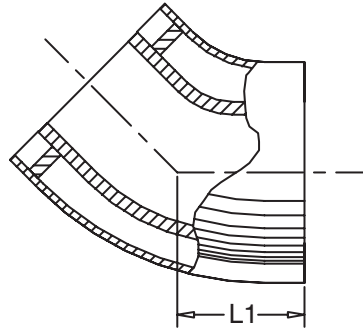
**90 DEGREE ELBOW**

Size		ECTFE x ECTFE		
		MOP 150 PSI		
mm	inch	Z	R	Part Number
32 x 90	1 x 3	4.06	3.58	8805134
63 x 110	2 x 4	4.85	4.25	8805420
90 x 160	3 x 6	7.08	6.10	8805531
110 x 200	4 x 8	7.87	7.68	8805583

Size		ECTFE x PRO150		
		MOP 150 PSI		
mm	inch	Z	R	Part Number
32 x 90	1 x 3	3.94	3.35	8105134
63 x 110	2 x 4	4.88	4.13	8105420
90 x 160	3 x 6	7.08	6.10	8105531
110 x 200	4 x 8	7.87	7.68	8105583

Size		ECTFE x PRO45		
		MOP 150 x 45 PSI		
mm	inch	Z	R	Part Number
63 x 110	2 x 4	4.72	4.33	8205420
90 x 160	3 x 6	6.69	6.10	8205531
110 x 200	4 x 8	8.66	7.76	8205583



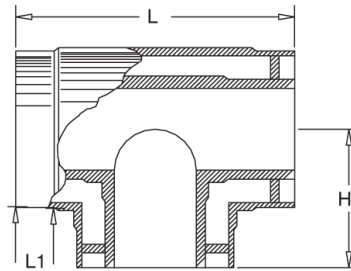
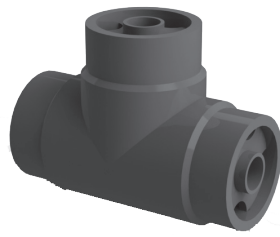


**45 DEGREE ELBOW**

Size		ECTFE x ECTFE	
		MOP 150 PSI	
mm	inch	L1	Part Number
32 x 90	1 x 3	5.00	8808134
63 x 110	2 x 4	6.00	8808420
90 x 160	3 x 6	6.00	8808531
110 x 200	4 x 8	6.50	8808583

Size		ECTFE x PRO150	
		MOP 150 PSI	
mm	inch	L1	Part Number
32 x 90	1 x 3	4.00	8108134
63 x 110	2 x 4	4.25	8108420
90 x 160	3 x 6	6.00	8108531
110 x 200	4 x 8	6.50	8108583

Size		ECTFE x PRO45	
		MOP 150 x 45 PSI	
mm	inch	L1	Part Number
63 x 110	2 x 4	5.00	8208420
90 x 160	3 x 6	6.00	8208531
110 x 200	4 x 8	6.00	8208583

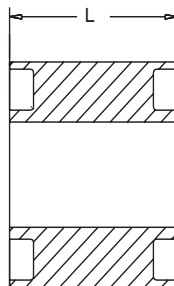
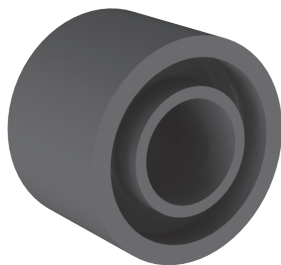


**TEE**

Size		ECTFE x ECTFE		
		MOP 150 PSI		
mm	inch	L1	H1	Part Number
32 x 90	1 x 3	7.13	3.62	8811134
63 x 110	2 x 4	8.50	4.33	8811420
90 x 160	3 x 6	10.98	5.51	8811531
110 x 200	4 x 8	17.56	8.78	8811583

Size		ECTFE x PRO150		
		MOP 150 PSI		
mm	inch	L1	H1	Part Number
32 x 90	1 x 3	8.15	4.17	8111134
63 x 110	2 x 4	9.45	4.72	8111420
90 x 160	3 x 6	12.40	6.30	8111531
110 x 200	4 x 8	15.59	7.80	8111583

Size		ECTFE x PRO45		
		MOP 150 x 45 PSI		
mm	inch	L1	H1	Part Number
63 x 110	2 x 4	8.46	4.29	8211420
90 x 160	3 x 6	10.94	5.51	8211531
110 x 200	4 x 8	13.39	6.69	8211583



**SOLID DOGBONE®**

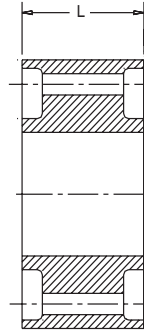
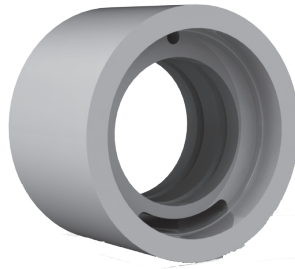
Size		ECTFE x ECTFE MOP 150 PSI	
mm	inch	L	Part Number
32 x 90	1 x 3	3	8830134
63 x 110	2 x 4	3	8830420

Size		ECTFE x PRO150 MOP 150 PSI		
mm	inch	L	Oring	Part Number
32 x 90	1 x 3	3	2-322	8130134
63 x 110	2 x 4	3	2-333	8130420
90 x 160	3 x 6	3	2-341	8130531
110 x 200	4 x 8	3	2-348	8130583

O-ring style Dogbone®

Size		ECTFE x PRO45 MOP 150 x 45 PSI		
mm	inch	L	Oring	Part Number
63 x 110	2 x 4	3	2-333	8230420
90 x 160	3 x 6	3	2-341	8230531
110 x 200	4 x 8	3	2-348	8230583

O-ring style Dogbone®.



**ANNULAR DOGBONE®**

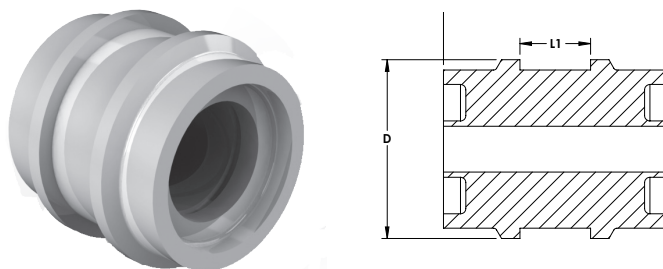
Size		ECTFE x ECTFE MOP 150 PSI	
mm	inch	L	Part Number
32 x 90	1 x 3	3	8845134
63 x 110	2 x 4	3	8845420
90 x 160	3 x 6	2.5	8845531
110 x 200	4 x 8	2.5	8845583

Size		ECTFE x PRO150 MOP 150 PSI	
mm	inch	L	Part Number
32 x 90	1 x 3	3	8145134
63 x 110	2 x 4	3	8145420
90 x 160	3 x 6	3	8145531
110 x 200	4 x 8	3	8145583

O-ring style Dogbone®.

Size		ECTFE x PRO45 MOP 150 x 45 PSI	
mm	inch	L	Part Number
63 x 110	2 x 4	3	8245420
90 x 160	3 x 6	3	8245531
110 x 200	4 x 8	3	8245583

O-ring style Dogbone®.



**SOLID RESTRAINT DOGBOONE®**

Size		ECTFE x ECTFE*			
		MOP 150 PSI			
mm	inch	L	L1	OD	Part Number
32 x 90	1 x 3	3.63	1.63	4.54	8885134
63 x 110	2 x 4	3.63	1.63	5.33	8885420

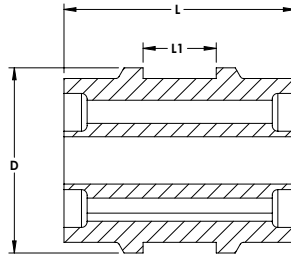
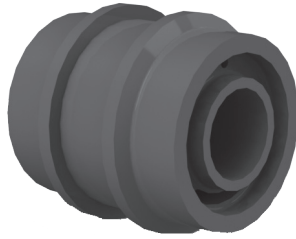
\*3 x 6 and 4 x 8 sizes are not available.

Size		ECTFE x PRO150			
		MOP 150 PSI			
mm	inch	L	L1	OD	Part Number
32 x 90	1 x 3	3.63	1.63	4.54	8185134
63 x 110	2 x 4	3.63	1.63	5.33	8185420
90 x 160	3 x 6	4.40	2.40	7.30	8185531
110 x 200	4 x 8	4.40	2.40	8.87	8185583

O-ring style Dogbone®.

Size		ECTFE x PRO45			
		MOP 150 x 45 PSI			
mm	inch	L	L1	OD	Part Number
63 x 110	2 x 4	3.63	1.63	5.33	8285420
90 x 160	3 x 6	4.40	2.40	7.30	8285531
110 x 200	4 x 8	4.40	2.40	8.87	8285583

O-ring style Dogbone®.



**ANNULAR RESTRAINT DOGBONE®**

Size		ECTFE x ECTFE*			
		MOP 150 PSI			
mm	inch	L	L1	OD	Part Number
32 x 90	1 x 3	3.63	1.63	4.54	8895134
63 x 110	2 x 4	3.63	1.63	5.33	8895420

\*3 x 6 and 4 x 8 sizes are not available.

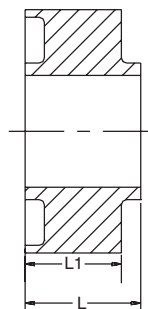
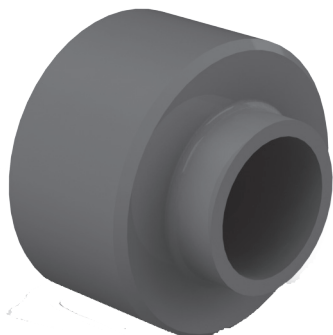
Size		ECTFE x PRO150			
		MOP 150 PSI			
mm	inch	L	L1	OD	Part Number
32 x 90	1 x 3	3.63	1.63	4.54	8195134
63 x 110	2 x 4	3.63	1.63	5.33	8195420
90 x 160	3 x 6	4.40	2.40	7.30	8195531
110 x 200	4 x 8	4.40	2.40	8.87	8195583

O-ring style Dogbone®.

Size		ECTFE x PRO45			
		MOP 150 x 45 PSI			
mm	inch	L	L1	OD	Part Number
63 x 110	2 x 4	3.63	1.63	5.33	8295420
90 x 160	3 x 6	4.40	2.40	7.30	8295531
110 x 200	4 x 8	4.40	2.40	8.87	8295583

O-ring style Dogbone®.





**DOGBONE® END TERMINATION**

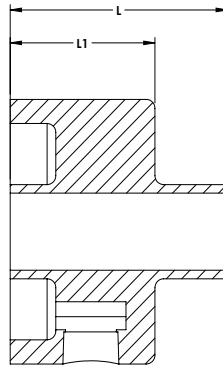
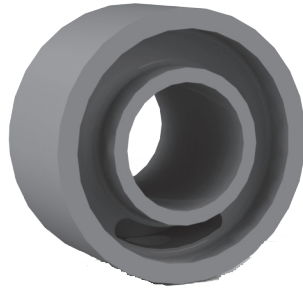
Size		ECTFE x ECTFE MOP 150 PSI	
mm	inch	L	Part Number
32 x 90	1 x 3	3.60	8833134
63 x 110	2 x 4	3.60	8833420
90 x 160	3 x 6	2.50	8833531
110 x 200	4 x 8	2.50	8833583

Size		ECTFE X PRO150 MOP 150 PSI	
mm	inch	L	Part Number
32 x 90	1 x 3	3.60	8133134
63 x 110	2 x 4	3.80	8133420
90 x 160	3 x 6	4.40	8133531
110 x 200	4 x 8	4.00	8133583

O-ring style Dogbone®.

Size		ECTFE X PRO45 MOP 150 X 45 PSI	
mm	inch	L	Part Number
63 x 110	2 x 4	3.60	8233420
90 x 160	3 x 6	4.40	8233531
110 x 200	4 x 8	4.40	8233583

O-ring style Dogbone®.



**DOG BONE® END TERMINATION WITH 1/2" TAP**

Size		ECTFE x ECTFE MOP 150 PSI	
mm	inch	L	Part Number
32 x 90	1 x 3	3.00	8834134
63 x 110	2 x 4	3.00	8834420
90 x 160	3 x 6	2.50	8834531
110 x 200	4 x 8	2.50	8834583

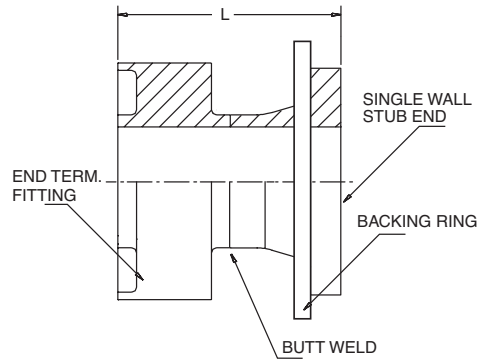
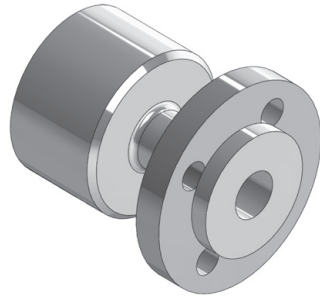
Size		ECTFE X PRO150 MOP 150 PSI	
mm	inch	L	Part Number
32 x 90	1 x 3	3.00	8134134
63 x 110	2 x 4	3.00	8134420
90 x 160	3 x 6	3.00	8134531
110 x 200	4 x 8	3.00	8134583

O-ring style Dogbone®.

Size		ECTFE X PRO45 MOP 150 X 45 PSI	
mm	inch	L	Part Number
63 x 110	2 x 4	3.00	8234420
90 x 160	3 x 6	3.00	8234531
110 x 200	4 x 8	3.00	8234583

O-ring style Dogbone®.





**DOGBONE® FLANGED END TERMINATION**

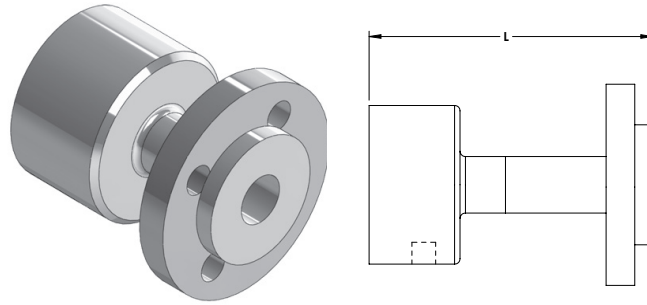
Size		ECTFE x ECTFE MOP 150 PSI	
mm	inch	L	Part Number
32 x 90	1 x 3	4.75	8825134
63 x 110	2 x 4	4.75	8825420
90 x 160	3 x 6	5.50	8825531
110 x 200	4 x 8	5.50	8825583

Size		ECTFE X PRO150 MOP 150 PSI	
mm	inch	L	Part Number
32 x 90	1 x 3	4.75	8125134
63 x 110	2 x 4	4.75	8125420
90 x 160	3 x 6	6.00	8125531
110 x 200	4 x 8	6.00	8125583

O-ring style Dogbone®.

Size		ECTFE X PRO45 MOP 150 X 45 PSI	
mm	inch	L	Part Number
63 x 110	2 x 4	4.75	8225420
90 x 160	3 x 6	6.00	8225531
110 x 200	4 x 8	6.00	8225583

O-ring style Dogbone®.



**DOGBONE® FLANGED END TERMINATION WITH 1/2" TAP**

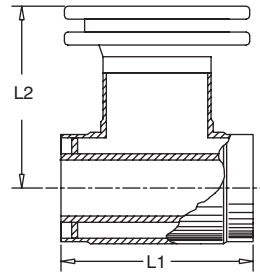
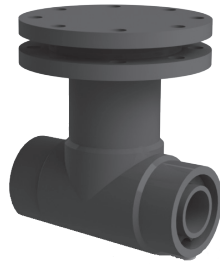
Size		ECTFE x ECTFE MOP 150 PSI	
mm	inch	L	Part Number
32 x 90	1 x 3	4.75	8826134
63 x 110	2 x 4	4.75	8826420
90 x 160	3 x 6	5.50	8826531
110 x 200	4 x 8	5.50	8826583

Size		ECTFE X PRO150 MOP 150 PSI	
mm	inch	L	Part Number
32 x 90	1 x 3	4.75	8126134
63 x 110	2 x 4	4.75	8126420
90 x 160	3 x 6	6.00	8126531
110 x 200	4 x 8	6.00	8125583

O-ring style Dogbone®.

Size		ECTFE X PRO45 MOP 150 X 45 PSI	
mm	inch	L	Part Number
63 x 110	2 x 4	4.75	8226420
90 x 160	3 x 6	6.00	8226531
110 x 200	4 x 8	6.00	8226583

O-ring style Dogbone®.



**ACCESS TEE WITH FLANGED COVER\***

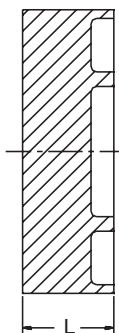
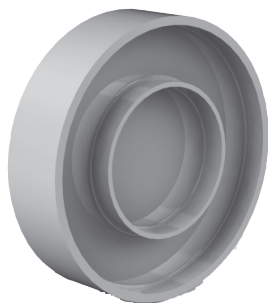
Size		ECTFE x ECTFE MOP 150 PSI		
mm	inch	L1	L2	Part Number
32 x 90	1 x 3	7.25	6.63	8865134
63 x 110	2 x 4	9.50	7.25	8865420
90 x 160	3 x 6	11.00	8.00	8865531
110 x 200	4 x 8	17.50	12.75	8865583

Size		ECTFE X PRO150 MOP 150 PSI		
mm	inch	L1	L2	Part Number
32 x 90	1 x 3	7.25	6.63	8165134
63 x 110	2 x 4	9.50	7.25	8165420
90 x 160	3 x 6	13.00	9.75	8165531
110 x 200	4 x 8	15.63	11.00	8165583

Size		ECTFE X PRO45 MOP 150 X 45 PSI		
mm	inch	L1	L2	Part Number
63 x 110	2 x 4	9.50	7.25	8265420
90 x 160	3 x 6	13.00	9.75	8265531
110 x 200	4 x 8	15.63	11.00	8265583

Includes EPDM gasket.

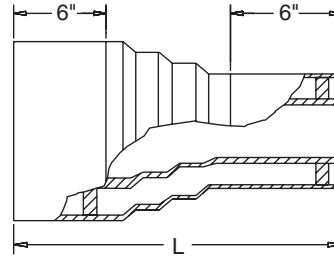
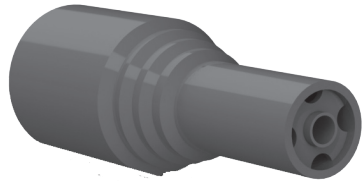




**CAP\***

Size		ECTFE x ECTFE	
		MOP 150 PSI	
mm	inch	L	Part Number
32 x 90	1 x 3	2.00	8815134
63 x 110	2 x 4	2.00	8815420
90 x 160	3 x 6	2.50	8815420
110 x 200	4 x 8	2.50	8815420

\*Caps are not available for dissimilar material systems

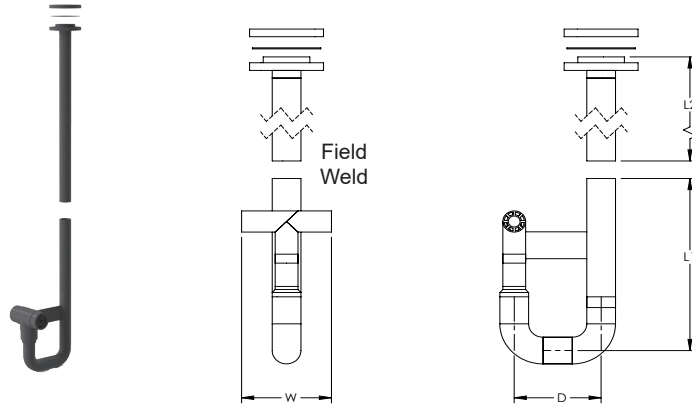


### CONCENTRIC REDUCER

Size		ECTFE x ECTFE MOP 150 PSI	
mm	inch	L	Part Number
(63x32)(110x90)	(2x1)(4x3)	16.50	8820740
(90x63)(160x110)	(3x2)(6x4)	15.75	8820743
(110x90)(200x160)	(4x3)(8x6)	15.00	8820746

Size		ECTFE X PRO150 MOP 150 PSI	
mm	inch	L	Part Number
(63x32)(110x90)	(2x1)(4x3)	16.50	8120740
(90x32)(160x90)	(3x1)(6x3)	15.25	8120741
(90x63)(160x110)	(3x2)(6x4)	17.75	8120743
(110x63)(200x110)	(4x2)(8x4)	14.50	8120744

Size		ECTFE X PRO45 MOP 150 X 45 PSI	
mm	inch	L	Part Number
(63x32)(110x90)	(2x1)(4x3)	16.50	8220740
(90x32)(160x90)	(3x1)(6x3)	15.25	8220741
(90x63)(160x110)	(3x2)(6x4)	17.75	8220743
(110x63)(200x110)	(4x2)(8x4)	14.50	8220744



**LOW POINT LEAK DETECTION STATION**

Size		Dimensions				ECTFE X ECTFE MOP 150 PSI
mm	inch	D	W	H1	H2	Part Number
32 x 90	1 x 3	10.38	9.63	19.13	36.00	8835134
63 x 110	2 x 4	8.00	8.00	18.00	36.00	8835420
90 x 160	3 x 6	16.00	9.75	12.38	36.00	8835531
110 x 200	4 x 8	14.50	9.50	14.50	36.00	8835583

Size		Dimensions				ECTFE X PRO150 MOP 150 PSI
mm	inch	D	W	H1	H2	Part Number
32 x 90	1 x 3	10.38	9.63	19.13	36.00	8135134
63 x 110	2 x 4	8.00	8.00	18.00	36.00	8135420
90 x 160	3 x 6	16.00	9.75	13.38	36.00	8135531
110 x 200	4 x 8	14.50	9.50	14.50	36.00	8135583

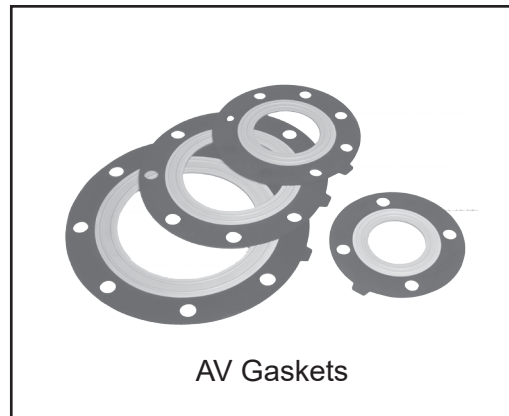
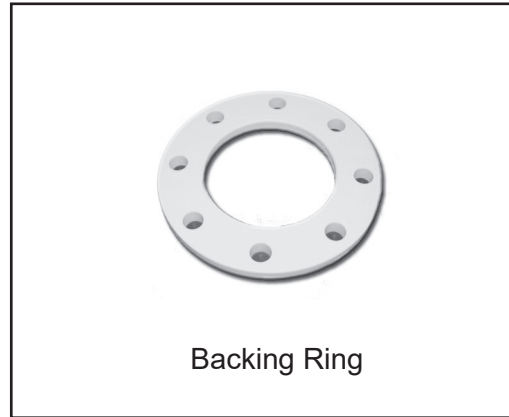
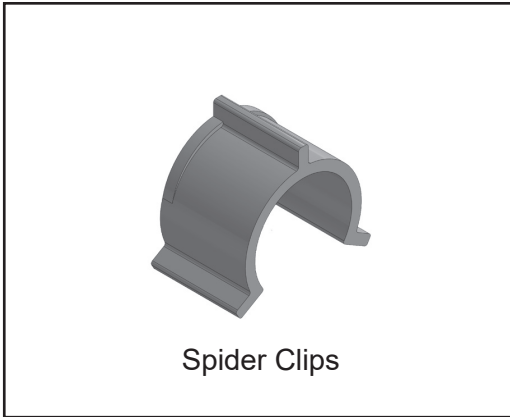
Size		Dimensions				ECTFE X PRO45 MOP 150 X 45 PSI
mm	inch	D	W	H1	H2	Part Number
63 x 110	2 x 4	8.00	8.00	18.00	36.00	8235420
90 x 160	3 x 6	16.00	9.75	13.38	36.00	8235531
110 x 200	4 x 8	14.50	9.50	14.50	36.00	8235583

Station consists of access tee, (2) 90's, 2" or 4" riser pipe (4' long), stub end, backing ring and flange. Includes EPDM gasket - does not include nuts and bolts. Access cover to be shipped separately and installed in field.

*Page intentionally left blank*

Duo-Pro®  
Halar®

# Piping System Accessories



Accessories

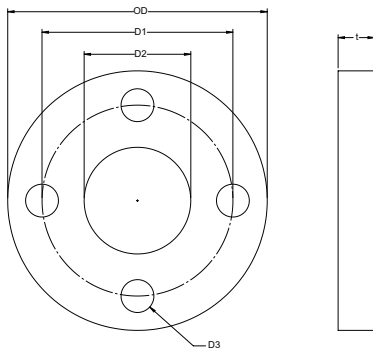


**BACKING RING\*****Backing Ring**

Size		Description	PP - Grey
mm	inch		Part Number
20	1/2	ANSI 150#	5046005
25	3/4	ANSI 150#	5046007
32	1	ANSI 150#	5046010
40	1-1/4	ANSI 150#	5046012
50	1-1/2	ANSI 150#	5046015
63	2	ANSI 150#	5046020
75	2-1/2	ANSI 150#	5046025
90	3	ANSI 150#	5046030
110	4	ANSI 150#	5046040
160	6	ANSI 150#	5046060
200/225	8	ANSI 150#	5046080
250/280	10	ANSI 150#	5046100
315	12	ANSI 150#	5046120

\*DIN bolt pattern PN 10/16 available.

Accessories



Size		Dimensions						
mm	inch	OD	D1	D2	D3	t	Weight	# of Bolt Holes
20	1/2	3.740	2.380	1.102	0.630	0.472	0.463	4
25	3/4	4.016	2.750	1.339	0.630	0.472	0.529	4
32	1	4.488	3.120	1.654	0.630	0.630	0.807	4
40	1-1/4	5.118	3.500	2.008	0.630	0.630	1.235	4
50	1-1/2	5.236	3.880	2.441	0.630	0.709	1.193	4
63	2	6.378	4.750	3.071	0.787	0.709	1.788	4
75	2-1/2	7.244	5.500	3.622	0.787	0.709	2.352	4
90	3	7.638	6.000	4.370	0.787	0.709	2.271	4
110	4	9.016	7.500	5.236	0.787	0.709	3.342	8
160	6	11.142	9.500	7.008	0.866	0.945	5.115	8
200/225	8	13.583	11.750	9.291	0.866	0.945	7.474	8
250/280	10	16.220	14.250	11.339	0.984	1.024	13.669	12
315	12	19.173	17.000	13.307	0.984	1.260	28.748	12

225mm (9") and 200mm (8") stub ends use 8" ANSI backing rings.  
Consult factory for backing rings larger than 315mm (12").

## BACKING RING\*

Size		Description	PP - Black*
mm	inch		Part Number
20	1/2	ASNI 150#	5146005
25	3/4	ASNI 150#	5146007
32	1	ASNI 150#	5146010
40	1-1/4	ASNI 150#	5146012
50	1-1/2	ASNI 150#	5146015
63	2	ASNI 150#	5146020
75	2-1/2	ASNI 150#	5146025
90	3	ASNI 150#	5146030
110	4	ASNI 150#	5146040
160	6	ASNI 150#	5146060
200/225	8	ASNI 150#	5146080
250/280	10	ASNI 150#	5146100
315	12	ASNI 150#	5146120



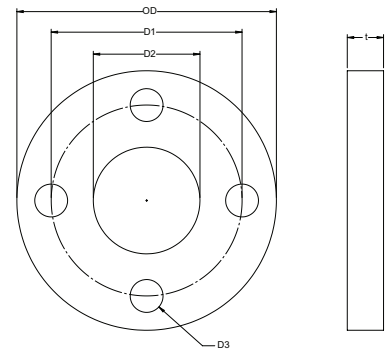
Backing Ring

\*DIN bolt pattern PN 10/16 available.

\*PP black UV resistant.

Accessories

Size		Dimensions						
mm	inch	OD	D1	D2	D3	t	Weight	# of Bolt Holes
20	1/2	3.740	2.380	1.102	0.630	0.472	0.463	4
25	3/4	4.016	2.750	1.339	0.630	0.472	0.529	4
32	1	4.488	3.120	1.654	0.630	0.630	0.807	4
40	1-1/4	5.118	3.500	2.008	0.630	0.630	1.235	4
50	1-1/2	5.236	3.880	2.441	0.630	0.709	1.193	4
63	2	6.378	4.750	3.071	0.787	0.709	1.788	4
75	2-1/2	7.244	5.500	3.622	0.787	0.709	2.352	4
90	3	7.638	6.000	4.370	0.787	0.709	2.271	4
110	4	9.016	7.500	5.236	0.787	0.709	3.342	8
160	6	11.142	9.500	7.008	0.866	0.945	5.115	8
200/225	8	13.583	11.750	9.291	0.866	0.945	7.474	8
250/280	10	16.220	14.250	11.339	0.984	1.024	13.669	12
315	12	19.173	17.000	13.307	0.984	1.260	28.748	12



225mm (9") and 200mm (8") stub ends use 8" ANSI backing rings.  
Consult factory for backing rings larger than 315mm (12").

**BACKING RING\***

Size		Description	Ductile Iron+	316 SS++
mm	inch		Part Number	Part Number
20	1/2	ANSI 150#	-	504501005
25	3/4	ANSI 150#	5048007	504501007
32	1	ANSI 150#	5048010	504501010
40	1-1/4	ANSI 150#	5048012	-
50	1-1/2	ANSI 150#	5048015	504501015
63	2	ANSI 150#	5048020	504501020
75	2-1/2	ANSI 150#	5048025	-
90	3	ANSI 150#	5048030	504501030
110	4	ANSI 150#	5048040	504501040
160	6	ANSI 150#	5048060	504501060
200/225	8	ANSI 150#	5048080	504501080
250/280	10	ANSI 150#	5048100	504501100
315	12	ANSI 150#	5048120	504501120
355	14	ANSI 150#	5048140	-
400	16	ANSI 150#	5048160	-
450	18	ANSI 150#	5048180	-
500	20	ANSI 150#	5048200	-
550	22	ANSI 150#	5048220	-
630	24	ANSI 150#	5048240	-

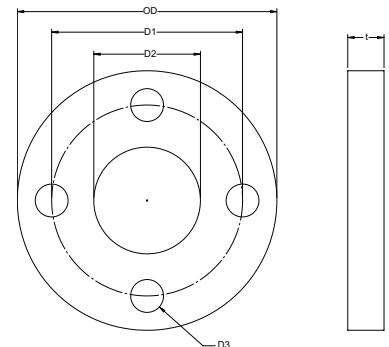


**Backing Ring**

\*DIN bolt pattern PN 10/16 available.  
 +DI backing rings not recommended for socket stub ends.  
 ++ Contact A/A for current Stainless Steel pricing.

**Accessories**

Size		Dimensions							# of Bolt Holes
mm	inch	OD	D1	D2	D3	t	Weight		
20	1/2	3.740	2.380	1.102	0.630	0.472	0.463	4	
25	3/4	4.016	2.750	1.339	0.630	0.472	0.529	4	
32	1	4.488	3.120	1.654	0.630	0.630	0.807	4	
40	1-1/4	5.118	3.500	2.008	0.630	0.630	1.235	4	
50	1-1/2	5.236	3.880	2.441	0.630	0.709	1.193	4	
63	2	6.378	4.750	3.071	0.787	0.709	1.788	4	
75	2-1/2	7.244	5.500	3.622	0.787	0.709	2.352	4	
90	3	7.638	6.000	4.370	0.787	0.709	2.271	4	
110	4	9.016	7.500	5.236	0.787	0.709	3.342	8	
160	6	11.142	9.500	7.008	0.866	0.945	5.115	8	
200/225	8	13.583	11.750	9.291	0.866	0.945	7.474	8	
250/280	10	16.220	14.250	11.339	0.984	1.024	13.669	12	
315	12	19.173	17.000	13.307	0.984	1.260	22.500	12	
355	14	21.000	19.750	14.800	1.130	1.380	30.000	12	
400	16	23.500	21.250	16.930	1.130	1.440	35.000	16	
450	18	25.000	22.750	18.500	1.250	1.560	39.000	16	
500	20	27.500	25.000	21.250	1.250	1.690	56.000	20	
630	24	32.000	29.500	25.000	1.380	2.130	74.000	20	



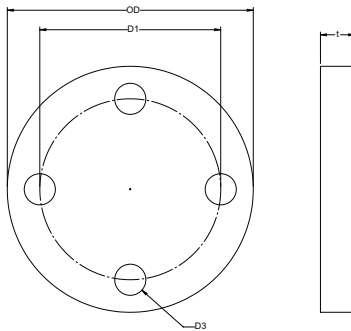
### PP BLIND FLANGE



**PP  
Blind Flange**

Size		Description	230 PSI Part Number
mm	inch		
20	1/2	Steel Insert, ANSI 150#	5042005
25	3/4	Steel Insert, ANSI 150#	5042007
32	1	Steel Insert, ANSI 150#	5042010
40	1-1/4	Steel Insert, ANSI 150#	5042012
50	1-1/2	Steel Insert, ANSI 150#	5042015
63	2	Steel Insert, ANSI 150#	5042020
75	2-1/2	Steel Insert, ANSI 150#	5042025
90	3	Steel Insert, ANSI 150#	5042030
110	4	Steel Insert, ANSI 150#	5042040
160	6	Steel Insert, ANSI 150#	5042060
200	8	Steel Insert, ANSI 150#	5042080
250	10	Steel Insert, ANSI 150#	5042100
315	12	Steel Insert, ANSI 150#	5042120

**Accessories**



Size		OD	D1	D3	t	Weight (lbs)	# of Bolt Holes
mm	inch						
20	1/2	3.740	2.380	0.630	0.472	0.569	4
25	3/4	4.016	2.750	0.630	0.472	0.750	4
32	1	4.488	3.120	0.630	0.630	1.118	4
40	1-1/4	5.118	3.500	0.630	0.630	1.614	4
50	1-1/2	5.236	3.880	0.630	0.709	1.775	4
63	2	6.378	4.750	0.787	0.709	2.690	4
75	2-1/2	7.244	5.500	0.787	0.709	3.400	4
90	3	7.638	6.000	0.787	0.709	4.057	4
110	4	9.016	7.500	0.787	0.709	6.504	8
160	6	11.142	9.500	0.866	0.945	11.244	8
200	8	13.583	11.750	0.866	0.945	17.461	8
250	10	16.220	14.250	0.984	1.024	33.400	12
315	12	19.173	17.000	0.984	1.260	63.493	12

### PVDF BLIND FLANGE LINER

Size		Description	Not Pressure Rated Part Number
mm	inch		
20	1/2	ANSI 150#	5427005
25	3/4	ANSI 150#	5427007
32	1	ANSI 150#	5427010
40	1-1/4	ANSI 150#	5427012
50	1-1/2	ANSI 150#	5427015
63	2	ANSI 150#	5427020
75	2-1/2	ANSI 150#	5427025
90	3	ANSI 150#	5427030
110	4	ANSI 150#	5427040
160	6	ANSI 150#	5427060
200	8	ANSI 150#	5427080

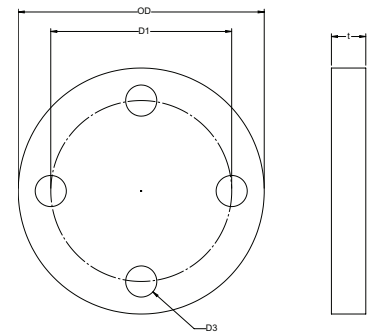


**PVDF  
Blind Flange**

Machined item non-returnable / non-cancelable.  
Not for pressure applications unless utilized with pressure rated blind flange see above.

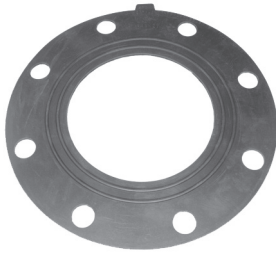
Accessories

Size		OD	D1	D3	t	Weight (lbs)	# of Bolt Holes
mm	inch						
20	1/2	3.740	2.380	0.630	0.669	0.258	4
25	3/4	4.016	2.750	0.630	0.669	0.340	4
32	1	4.488	3.120	0.630	0.669	0.507	4
40	1-1/4	5.118	3.500	0.630	0.669	0.732	4
50	1-1/2	5.236	3.880	0.630	0.669	0.805	4
63	2	6.378	4.750	0.787	0.669	1.220	4
75	2-1/2	7.244	5.500	0.787	0.669	1.542	4
90	3	7.638	6.000	0.787	0.669	1.840	4
110	4	9.016	7.500	0.787	0.669	2.950	8
160	6	11.142	9.500	0.866	0.669	5.100	8
200	8	13.583	11.750	0.866	0.669	7.920	8
250	10	16.220	14.250	0.984	0.669	15.150	12
315	12	19.173	17.000	0.984	0.669	28.800	12



**AV Gaskets**

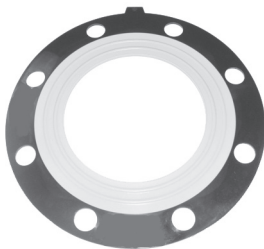
Please consult current Valve List Price book to ensure the list prices on all AV gaskets are current. Current Valve Price book supersedes this pricing.



**EPDM**  
Durometer 65-70



**PVDF**  
Durometer 83-85



**PTFE**  
Durometer 95-100

**CT GASKETS -PTFE\***



**PTFE**

\* Non stock-special order

**AV Gaskets - EPDM**

Size	Description	Part Number
1/2"	EPDM	3113005
3/4"	EPDM	3113007
1"	EPDM	3113010
1-1/4"	EPDM	3113012
1-1/2"	EPDM	3113015
2"	EPDM	3113020
2-1/2"	EPDM	3113025
3"	EPDM	3113030
4"	EPDM	3113040
6"	EPDM	3113060
8"	EPDM	3113080
10"	EPDM	3113100
12"	EPDM	3113120

**AV Gaskets - PVDF**

Size	Description	Part Number
1/2"	PVDF	3115005
3/4"	PVDF	3115007
1"	PVDF	3115010
1-1/2"	PVDF	3115015
2"	PVDF	3115020
3"	PVDF	3115030
4"	PVDF	3115040
6"	PVDF	3115060
8"	PVDF	3115080
10"	PVDF	3115100

**AV Gaskets - PTFE**

Size	Description	Part Number
1/2"	PTFE	3114005
3/4"	PTFE	3114007
1"	PTFE	3114010
1-1/4"	PTFE	3114012
1-1/2"	PTFE	3114015
2"	PTFE	3114020
2-1/2"	PTFE	3114025
3"	PTFE	3114030
4"	PTFE	3114040
6"	PTFE	3114060
8"	PTFE	3114080
10"	PTFE	3114100
12"	PTFE	3114120

General grade, available cleaned and bagged.

Size		Description	Part Number
mm	inch		
355	14	ANSI 150#	3116140
400	16	ANSI 150#	3116160
450	18	ANSI 150#	3116180
500	20	ANSI 150#	3116200
630	24	ANSI 150#	3116240

**Accessories**

**SPIDER CLIP - PP**

Size		PRO150 X 150	PRO150 X 45	PRO45 X 45
mm	inch	Part Number	Part Number	Part Number
32 x 90	1 X 3	5244134	-	-
63 x 110	2 X 4	5244420	5346420	-
90 x 160	3 X 6	5244531	5346531	-
110 x 200	4 X 8	5244583	5346583	5346583
160 x 250	6 X 10	5244627	5346627	5346627
200 x 315	8 X 12	5244660	5346660	5346660
250 x 355	10 X 14	5244702	5346702	5346702
315 x 400	12 X 16	5244690	5346690	5346690
355 x 450	14 X 18	5244710	5346710	5346710
400 x 500	16 X 20	-	5346726	5346726



**PP  
Spider Clip**

Accessories

**SPIDER CLIP - PVDF**

Size		PRO150 X 150	PRO150 X 45	PRO45 X 45
mm	inch	Part Number	Part Number	Part Number
32 x 90	1 X 3	5244134	-	-
63 x 110	2 X 4	5244420	5346420	-
90 x 160	3 X 6	5244531	5346531	-
110 x 200	4 X 8	5244583	5346583	5346583
160 x 250	6 X 10	5244627	5346627	5346627
200 x 315	8 X 12	5244660	5346660	5346660
250 x 355	10 X 14	5244702	5346702	5346702
315 x 400	12 X 16	5244690	5346690	5346690
355 x 450	14 X 18	5244710	5346710	5346710
400 x 500	16 X 20	-	5346726	5346726

**SPIDER CLIP - PE (FOR CHEM PROLINE®)**

Sizes		SDR	Part Number
mm	inches		
32 x 90	1 x 3	SDR 11 x 11	4784134
63 x 110	2 x 4	SDR 11 X 33	4784420
90 x 169	3 x 6	SDR 11 x 33	4784531
110 x 200	4 x 8	SDR 11 x 33	4784583
200 x 250	6 x 10	SDR 11 x 33	4784627
200 x 315	8 x 12	SDR 11 x 33	4784660
250 x 355	10 x 14	SDR 11 x 33	4784702
315 x 400	12 x 16	SDR 11 x 33	4784690



**PE  
Spider Clip**

**SUPPORT DISC - PP**

**PP  
Support  
Disc**

Size		PRO150 X 150	PRO150 X 45	PRO45 X 45
mm	inch	Part Number	Part Number	Part Number
32 x 90	1 X 3	5242134	-	-
63 x 110	2 X 4	5242420	5344420	-
90 x 160	3 X 6	5242531	5344531	-
110 x 200	4 X 8	5242583	5344583	5344583
160 x 250	6 X 10	5242627	5344627	5344627
200 x 315	8 X 12	5242660	5344660	5344660
250 x 355	10 X 14	5242702	5344702	5344702
315 x 400	12 X 16	-	5344690	5344690
355 x 450	14 X 18	-	5344710	5344710
400 x 500	16 X 20	-	5344726	5344726

Required if full pipe length is cut. Must be installed before welding pipe.

**SUPPORT DISC - PVDF**

**PVDF  
Support  
Disc**

Size		PVDF X PVDF
mm	inch	Part Number
32 x 90	1 X 3	6238134
63 x 110	2 X 4	6238420
90 x 160	3 X 6	6238531
110 x 200	4 X 8	6238583
160 x 250	6 X 10	6238627
200 x 315	8 X 12	6236660

Required if full pipe length is cut. Must be installed before welding pipe.

**SUPPORT DISC - PE (FOR CHEM PROLINE®)**

**PE  
Support  
Disc**

Sizes		SDR	Part Number
mm	inches		
32 x 90	1 x 3	SDR 11 x 11	4744134
63 x 110	2 x 4	SDR 11 X 33	4744420
90 x 169	3 x 6	SDR 11 x 33	4744531
110 x 200	4 x 8	SDR 11 x 33	4744583
200 x 250	6 x 10	SDR 11 x 33	4744627
200 x 315	8 x 12	SDR 11 x 33	4744660
250 x 355	10 x 14	SDR 11 x 33	4744702
315 x 400	12 x 16	SDR 11 x 33	4744690

Required if full pipe length is cut. Must be installed before welding pipe.

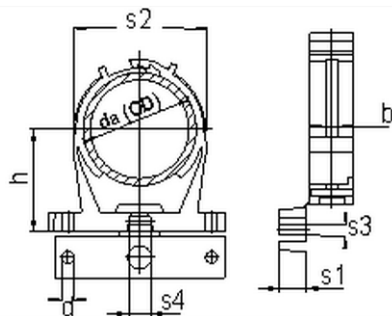




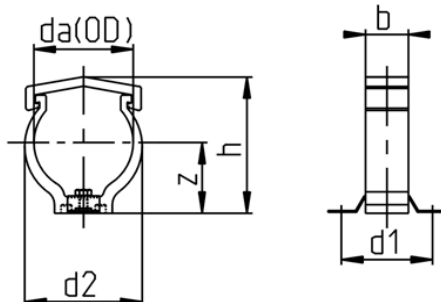
**PIPE CLIPS**

Size		Description	Part Number
mm	inch		
20	1/2	Snap Clips	5349005
25	3/4	Snap Clips	5349007
32	1	Snap Clips	5349010
40	1-1/4	Snap Clips	5349012
50	1-1/2	Snap Clips	5349015
63	2	2 Piece Clip	5246020
75	2-1/2	2 Piece Clip	5246025
90	3	2 Piece Clip	5246030
110	4	2 Piece Clip	5246040
160	6	2 Piece Clip	5246060
200	8	2 Piece Clip	5246080
225	9	2 Piece Clip	5246090

Accessories



Size		h	s1	s2	s3/d	s4	b
mm	inch						
20	1/2	1.06	0.24	1.14	0.26	0.35	0.55
25	3/4	1.18	0.40	1.34	0.26	0.35	0.63
32	1	1.24	0.45	1.54	0.26	0.35	0.63
40	1-1/4	1.46	0.55	1.97	0.26	0.35	0.69
50	1-1/2	1.61	0.59	2.20	0.26	0.35	0.79



Size		z	d1	d2	h	b
mm	inch					
63	2	2.04	2.91	3.07	3.74	1.16
75	2-1/2	2.40	3.23	3.70	4.41	1.57
90	3	2.63	3.22	4.25	5.03	1.57
110	4	3.14	3.22	5.39	5.98	1.57
160	6	4.56	4.33	7.24	8.54	2.36
200	8	5.82	4.33	9.37	10.50	2.36
225	9	6.22	4.33	10.28	11.46	2.36



**PIPE CLIPS**

Size		Description	Part Number
mm	inch		
250	10	Snap Clips	5350100
280	11	Snap Clips	5350110
315	12	Snap Clips	5350120
355	14	Snap Clips	5350140
400	16	Snap Clips	5350160

10-16" pipe clips are special order.

Accessories

Size		B	D	E	d3	Z1	Z2
mm	inch						
250	10	7.88	0.98	1.57	0.51	7.19	5.61
280	11	7.88	0.98	1.57	0.51	7.78	6.12
315	12	8.86	0.98	1.57	0.51	8.6	6.75
355	14	10.12	1.18	1.97	0.67	10.87	8.27
400	16	11.34	1.18	1.97	0.67	11.85	9.06

