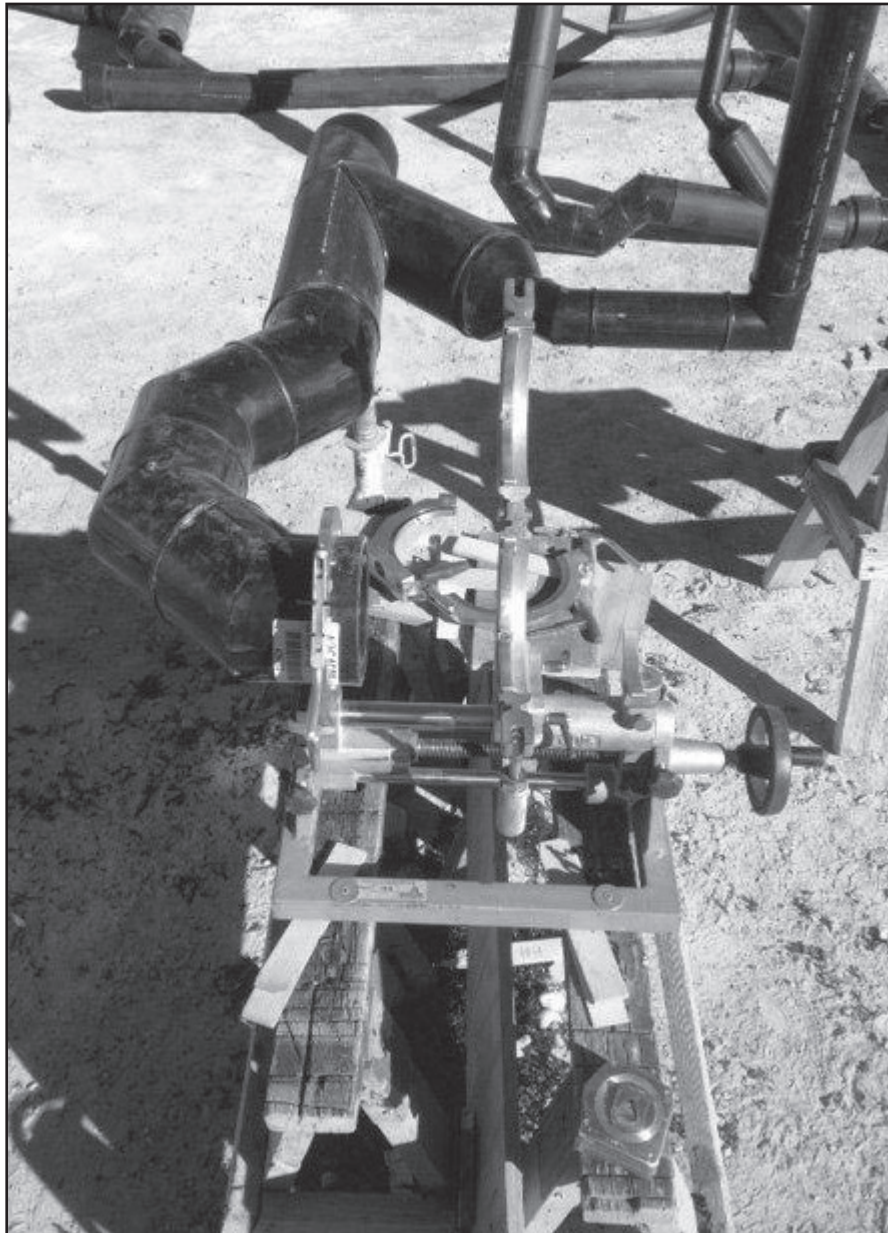


# **Poly-Flo<sup>®</sup>**

## **Unitary Construction Double Wall Piping System**



Poly-Flo<sup>®</sup>

*Page intentionally left blank*

**Poly-Flo®**

# Poly-Flo®

## Co-Extruded Double Containment

### Chem Proline® Black PE Resin

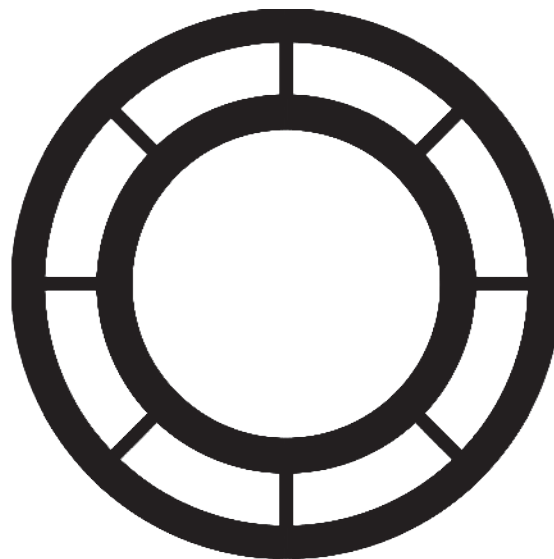
- Crack resistant proprietary resin formulation
- Excellent abrasion resistance

### Proline® Grey PP-R Resin

- Excellent weldability compared to PPh
- Wide temperature range from freezing to 200° F

### Ideal Applications

- Horizontal drilling or direct burial
- Compact installations
- Chemical distribution
- Overhead transport inside buildings



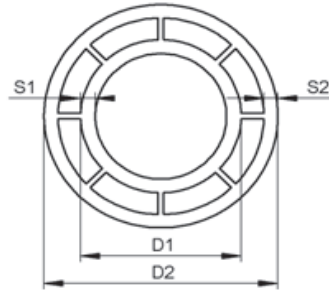
US Patent #4779652

## Unitary Construction Double Containment

### Stock Sizes

(mm x mm) actual	(inch x inch) nominal
32 x 50	1 x 1½
63 x 90	2 x 3
110 x 160	4 x 6

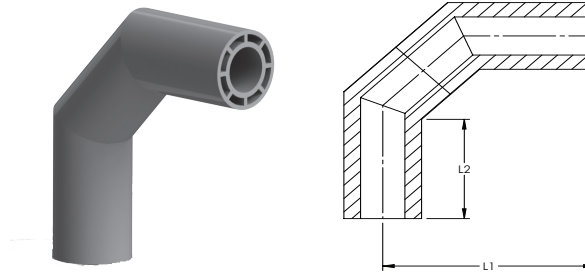
Custom runs available.



**PIPE\*** 5 meter (16.4') lengths

Size		Dimensions								SDR 11 x 17 / 150 PSI	
mm	inch	D1		S1		D2		S2		Chem Proline® PE	Proline® PP-R
		mm	inch	mm	inch	mm	inch	mm	inch	Part Number	Part Number
32 x 50	1 x 1-½	32	1.26	3.0	0.118	50	1.97	3.0	0.118	587850211	507850211
63 x 90	2 x 3	63	2.48	5.8	0.228	90	3.54	5.4	0.213	587850338	507850338
110 x 160	4 x 6	110	4.33	10.0	0.304	160	6.30	9.5	0.374	587850532	507850532

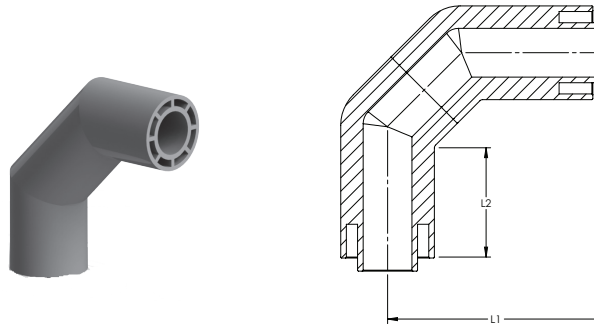
\*Pipe is sold in 5 meter lengths (16.4').



**90 DEGREE ELBOW FABRICATED (LONG)\***

Size		Dimensions				SDR 11 x 17 / 150 PSI	
mm	inch	L1		L2		Chem Proline® PE	Proline® PP-R
		mm	inch	mm	inch	Part Number	Part Number
32 x 50	1 x 1-½	168.36	6.63	69.9	2.75	587853211	507853211
63 x 90	2 x 3	196.57	7.38	76.2	3.00	587853338	507853338
110 x 160	4 x 6	257.20	10.13	108.0	4.25	587853532	507853532

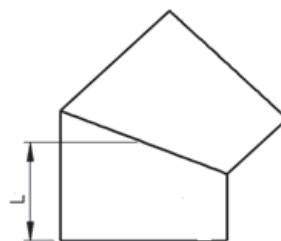
\*Ideal for drainage applications.



**90 DEGREE ELBOW FABRICATED (SHORT)\***

Size		Dimensions				SDR 11 x 17 / 150 PSI	
mm	inch	L1		L2		Chem Proline® PE	Proline® PP-R
		mm	inch	mm	inch	Part Number	Part Number
32 x 50	1 x 1-½	102	4.13	69.9	2.75	587868211	507868211
63 x 90	2 x 3	153	6.00	76.2	3.0	587868338	507868338
110 x 160	4 x 6	208.3	8.13	108.0	4.25	587868532	507868532

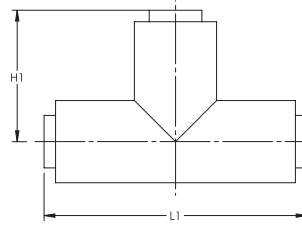
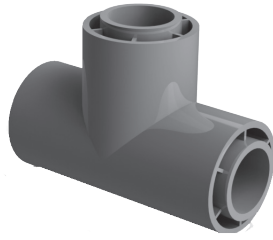
\*Ideal for pressure applications.



**45 DEGREE ELBOW - MOLDED**

Size		Dimensions		SDR 11 x 17 / 150 PSI	
mm	inch	L		Chem Proline® PE	Proline® PP-R
		mm	inch	Part Number	Part Number
32 x 50	1 x 1-½	70	2.76	587870211	507870211
63 x 90	2 x 3	77	3.03	587870338	507870338
110 x 160	4 x 6	107	4.21	587870532	507870532

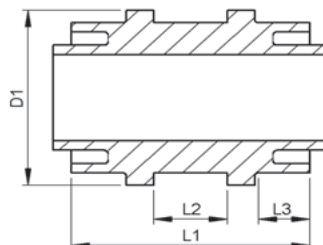
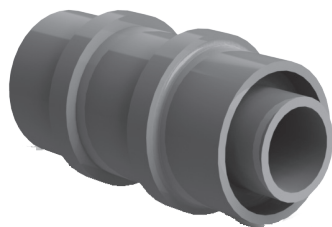
Poly-Flo®



**TEE - MOLDED**

Size		Dimensions				SDR 11 x 17 / 150 x 90 PSI	
mm	inch	L1	L1	H1	H1	Chem Proline® PE	Proline® PP-R
		mm	inch	mm	inch	Part Number	Part Number
32 x 50	1 x 1-½	146	5.75	73	2.87	587871211	507871211
63 x 90	2 x 3	200	7.87	100	3.94	587871338	507871338
110 x 160	4 x 6	381	15	191	7.50	587871532	507871532

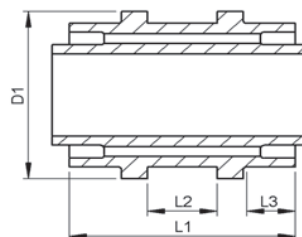
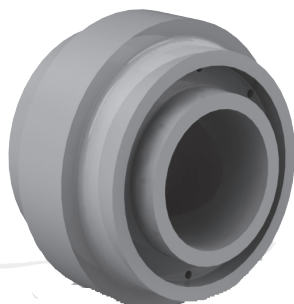




**RESTRAINT FITTING - SOLID**

Size		Dimensions								SDR 11 x 17 / PN 10 / 150 PSI	
mm	inch	L1		L2		L3		D1		Chem Proline® PE	Proline® PP-R
		mm	inch	mm	inch	mm	inch	mm	inch	Part Number	Part Number
32 x 50	1 x 1-½	113	4 3/8	33	1 ¼	28	1	58	2 ¼	587859211	507859211
63 x 90	2 x 3	130	5	40	1 ½	28	1	105	4 1/8	587859338	507859338
110 x 160	4 x 6	160	6 ¼	40	1 ½	27	1	180	7	587859532	507859532

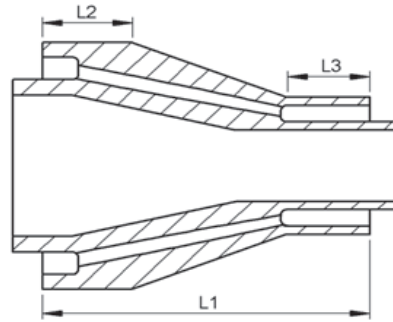
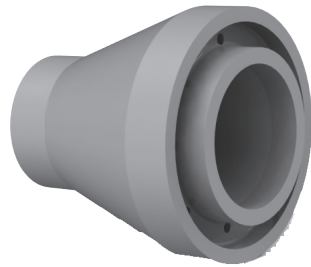
Poly-Flo®



**RESTRAINT FITTING - FLOW-THROUGH**

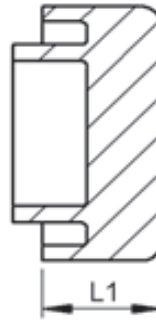
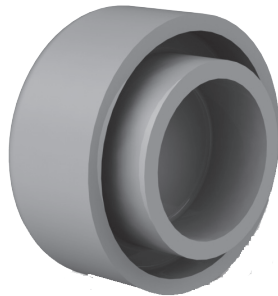
Size		Dimensions								SDR 11 x 17 / PN 10 / 150 PSI	
mm	inch	L1		L2		L3		D1		Chem Proline® PE	Proline® PP-R
		mm	inch	mm	inch	mm	inch	mm	inch	Part Number	Part Number
32 x 50	1 x 1-½	113	4 3/8	33	1 ¼	28	1	58	2 ¼	587879211	507879211
63 x 90	2 x 3	130	5	40	1 ½	28	1	105	4 1/8	587879338	507879338
110 x 160	4 x 6	160	6 ¼	40	1 ½	27	1	180	7	587879532	507879532





**REDUCER - MACHINED**

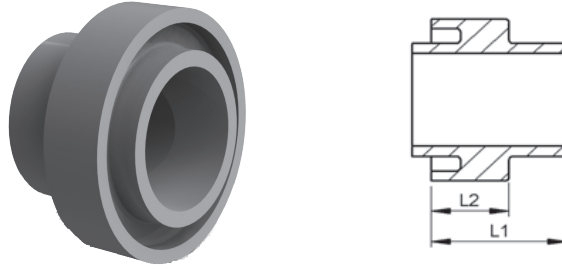
Size		Dimensions						SDR 11 x 17 / PN 10 / 150 PSI	
mm	inch	L1		L2		L3		Chem Proline® PE	Proline® PP-R
		mm	inch	mm	inch	mm	inch	Part Number	Part Number
32 x 50 - 63 x 90	1 x 1-½ - 2 x 3	110	4¼	30	1⅞	28	1	587865249	507865249
63 x 90 - 110 x 160	2 x 3 - 4 x 6	155	6	30	1⅞	30	1⅞	587865420	507865420



**END CAP - MACHINED**

Size		Dimensions		SDR 11 x 17 / PN 10 / 150 PSI	
mm	inch	L		Chem Proline® PE	Proline® PP-R
		mm	inch	Part Number	Part Number
32 x 50	1 x 1-½	30	1-1/8	587873211	507873211
63 x 90	2 x 3	40	1-1/2	587873338	507873338
110 x 160	4 x 6	50	1-7/8	587873532	507873532

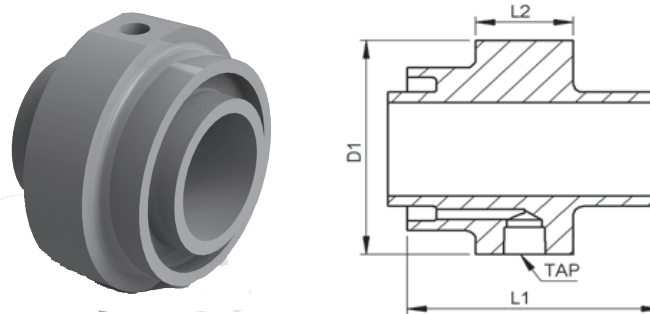




**END TERMINATION**

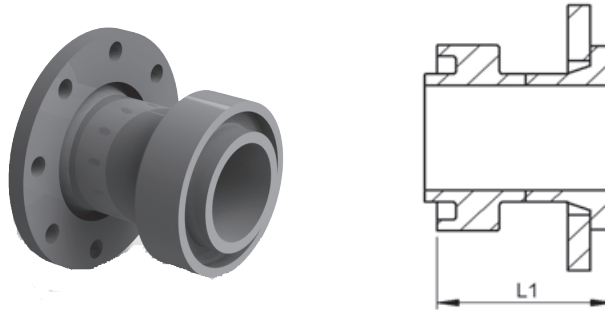
Size		Dimensions				SDR 11 x 17 / PN 10 / 150 PSI		
mm	inch	L1		L2		Chem Proline® PE	Proline® PP-R	
		mm	inch	mm	inch	Part Number	Part Number	
32 x 50	1 x 1-1/2	55	2 1/8	30	1 1/8	587855211	507855211	
63 x 90	2 x 3	70	2 3/4	40	1 1/2	587855338	507855338	
110 x 160	4 x 6	105	4 1/8	50	1 7/8	587855532	507855532	

Poly-Flo®



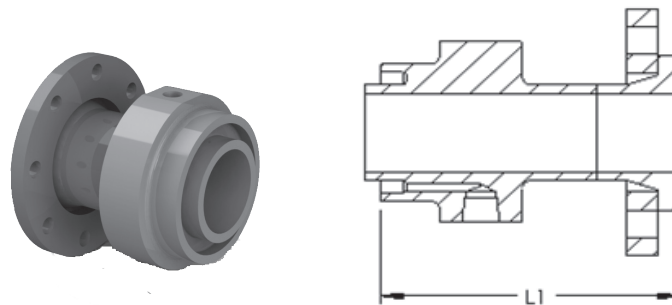
**END TERMINATION WITH ANNULAR TAP**

Size		Dimensions						SDR 11 x 17 / PN 10 / 150 PSI		
mm	inch	L1		L2		D1		Tap	Chem Proline® PE	Proline® PP-R
		mm	inch	mm	inch	mm	inch		Part Number	Part Number
32 x 50	1 x 1-1/2	130	5	50	1 7/8	80	3 1/8	1/2" NPT	587860211	507860211
63 x 90	2 x 3	130	5	50	1 7/8	120	4 5/8	1/2" NPT	587860338	507860338
110 x 160	4 x 6	130	5	50	1 7/8	190	7 3/8	1/2" NPT	587860532	507860532



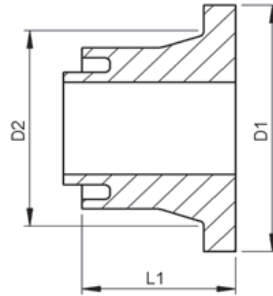
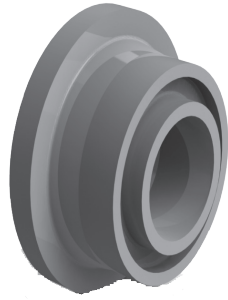
**END TERMINATION - FLANGED (ANSI)**

Size		Dimensions		SDR 11 x 17 / PN 10 / 150 PSI	
mm	inch	L		Chem Proline® PE	Proline® PP-R
		mm	inch	Part Number	Part Number
32 x 50	1 x 1-½	115	4-1/2	587856211	507856211
63 x 90	2 x 3	130	5	587856338	507856338
110 x 160	4 x 6	191	7-1/2	587856532	507856532



**END TERMINATION FLANGED (ANSI) WITH ANNULAR TAP**

Size		Dimensions		SDR 11 x 17 / PN 10 / 150 PSI	
mm	inch	L1		Chem Proline® PE	Proline® PP-R
		mm	inch	Part Number	Part Number
32 x 50	1 x 1-½	190	7 <sup>3</sup> / <sub>8</sub>	587861211	507861211
63 x 90	2 x 3	190	7 <sup>3</sup> / <sub>8</sub>	587861338	507861338
110 x 160	4 x 6	216	8½	587861532	507861532

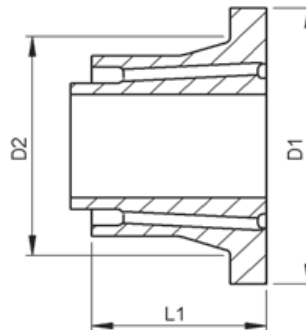
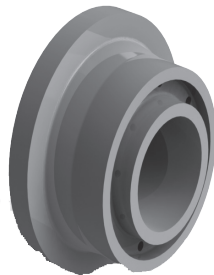


**STUB END\* - SOLID - CHAMFERED**

Size		Dimensions						SDR 11 x 17 / PN 10 / 150 PSI	
mm	inch	L1		L2		D1		Chem Proline® PE	Proline® PP-R
		mm	inch	mm	inch	mm	inch	Part Number	Part Number
32 x 50	1 x 1-½	55	2 ¼	88	3 ¾	61	2 ¾	587887211	507887211
63 x 90	2 x 3	82	3 ¼	138	5 ¾	105	4 ¼	587887338	507887338
110 x 160	4 x 6	94	3 ¾	212	8 ¼	175	6 ¾	587887532	507887532

\*Requires backing ring of containment (outer) pipe size. See page 292-294.

Poly-Flo®

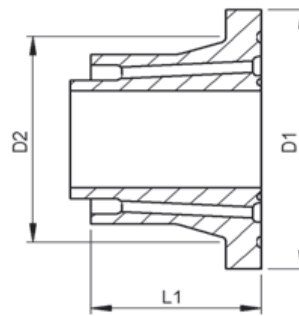
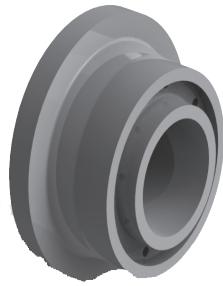


**STUB END\* - FLOW-THROUGH - FLAT FACE#**

Size		Dimensions						SDR 11 x 17 / PN 10 / 150 PSI	
mm	inch	L1		L2		D1		Chem Proline® PE	Proline® PP-R
		mm	inch	mm	inch	mm	inch	Part Number	Part Number
32 x 50	1 x 1-½	55	2 ¼	88	3 ¾	61	2 ¾	587875211	507875211
63 x 90	2 x 3	82	3 ¼	138	5 ¾	105	4 ¼	587875338	507875338
110 x 160	4 x 6	94	3 ¾	212	8 ¼	175	6 ¾	587875532	507875532

\*Requires backing ring of containment (outer) pipe size. See page 292-294.

# Only for use with mating O-ring flanges on following page.



**STUB END\* - FLOW-THROUGH - O-RING - FKM#**

Size		Dimensions						SDR 11 x 17 / PN 10 / 150 PSI	
mm	inch	L1		L2		D1		Chem Proline® PE	Proline® PP-R
		mm	inch	mm	inch	mm	inch	Part Number	Part Number
32 x 50	1 x 1-½	55	2 ¼	88	3 ¾	61	2 ¾	587876211	507876211
63 x 90	2 x 3	82	3 ¼	138	5 ¾	105	4 ¼	587876338	507876338
110 x 160	4 x 6	94	3 ¾	212	8 ¼	175	6 ¾	587876532	507876532

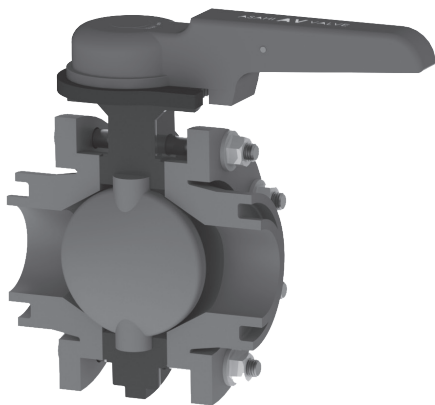
\*Requires backing ring of containment (outer) pipe size,. See page 292-294.  
 #For mating with flat face flange on page 238

**STUB END\* - FLOW-THROUGH - O-RING - EPDM#**

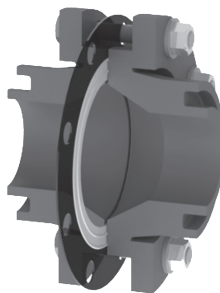
Size		Dimensions						SDR 11 x 17 / PN 10 / 150 PSI	
mm	inch	L1		L2		D1		Chem Proline® PE	Proline® PP-R
		mm	inch	mm	inch	mm	inch	Part Number	Part Number
32 x 50	1 x 1-½	55	2 ¼	88	3 ¾	61	2 ¾	587896211	507896211
63 x 90	2 x 3	82	3 ¼	138	5 ¾	105	4 ¼	587896338	507896338
110 x 160	4 x 6	94	3 ¾	212	8 ¼	175	6 ¾	587896532	507896532

\*Requires backing ring of containment (outer) pipe size,. See page 292-294.  
 For mating with flat face flange on page 238

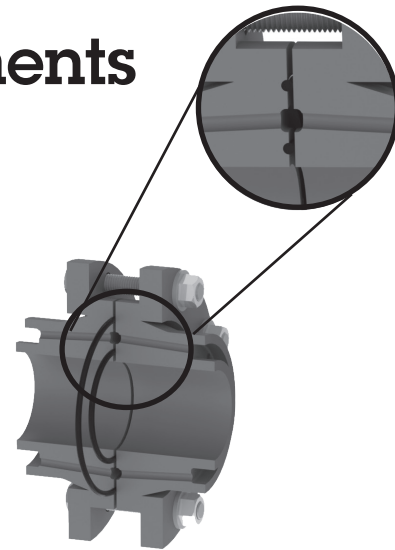
**Stub End Arrangements**



Chamfered Stub Ends  
for Butterfly Valve  
PN: 587887XXX

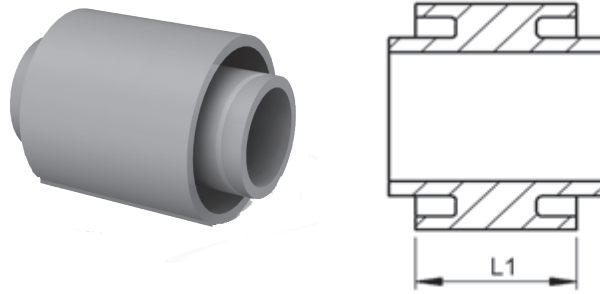


Solid Chamfered Stub Ends  
with AV Gasket  
PN: 587887XXX



Flow-Through  
Stub Ends  
Left: O-Ring PN: 587876XXX  
Right: Flat Face PN: 587875XXX

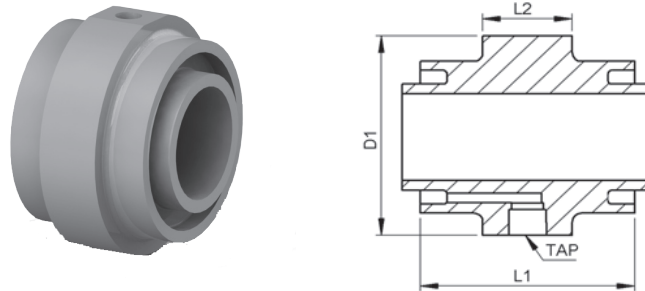




**DOGBONE® - SOLID**

Size		Dimensions		SDR 11 x 17 / PN 10 / 150 PSI	
mm	inch	L1		Chem Proline® PE	Proline® PP-R
		mm	inch	Part Number	Part Number
32 x 50	1 x 1-1/2	50	1-7/8	587877211	507877211
63 x 90	2 x 3	60	2-1/4	587877338	507877338
110 x 160	4 x 6	80	3-1/8	587877532	507877532

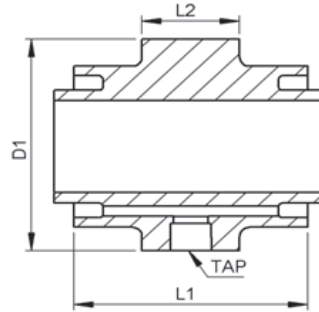
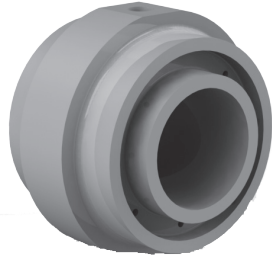
Ideal for compartmentalizing system into zones.



**DOGBONE® - COMPARTMENT WITH ANNULAR TAP**

Size		Dimensions							SDR 11 x 17 / PN 10 / 150 PSI	
mm	inch	L1		L2		L3		Tap	Chem Proline® PE	Proline® PP-R
		mm	inch	mm	inch	mm	inch		Part Number	Part Number
32 x 50	1 x 1-1/2	120	4%	50	1%	80	3%	1/2" NPT	587880211	507880211
63 x 90	2 x 3	120	4%	50	1%	120	4%	1/2" NPT	587880338	507880338
110 x 160	4 x 6	120	4%	50	1%	190	7%	1/2" NPT	587880532	507880532

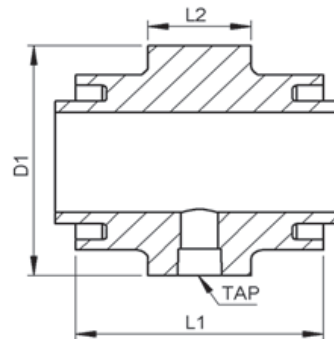
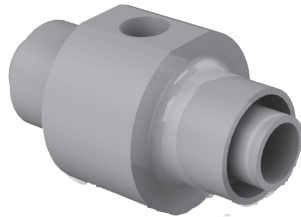
Ideal for compartmentalized systems with annular tap to one side only.



**DOGBONE® - FLOW-THROUGH WITH ANNULAR TAP**

Size		Dimensions							SDR 11 x 17 / PN 10 / 150 PSI		
mm	inch	L1		L2		L3		Tap	Chem Proline® PE	Proline® PP-R	
		mm	inch	mm	inch	mm	inch		Part Number	Part Number	
32 x 50	1 x 1-½	120	4⅝	50	1⅞	80	3⅜	1/2" NPT	587878211	507878211	
63 x 90	2 x 3	120	4⅝	50	1⅞	120	4⅝	1/2" NPT	587878338	507878338	
110 x 160	4 x 6	120	4⅝	50	1⅞	190	7⅞	1/2" NPT	587878532	507878532	

Ideal for manual leak detection and testing of annular space.

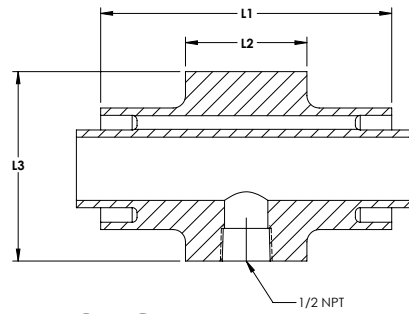
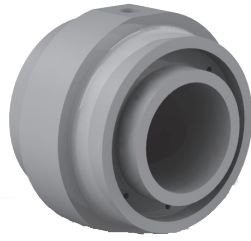


**DOGBONE® SOLID WITH CARRIER TAP**

Size		Dimensions							SDR 11 x 17 / PN 10 / 150 PSI		
mm	inch	L1		L2		L3		Tap	Chem Proline® PE	Proline® PP-R	
		mm	inch	mm	inch	mm	inch		Part Number	Part Number	
32 x 50	1 x 1-½	120	4⅝	50	1⅞	80	3⅜	1/2" NPT	587858211	507858211	
63 x 90	2 x 3	120	4⅝	50	1⅞	120	4⅝	1/2" NPT	587858338	507858338	
110 x 160	4 x 6	120	4⅝	50	1⅞	190	7⅞	1/2" NPT	587858532	507858532	

Ideal for primary pipe drain and vent that needs closing off of annular passage.



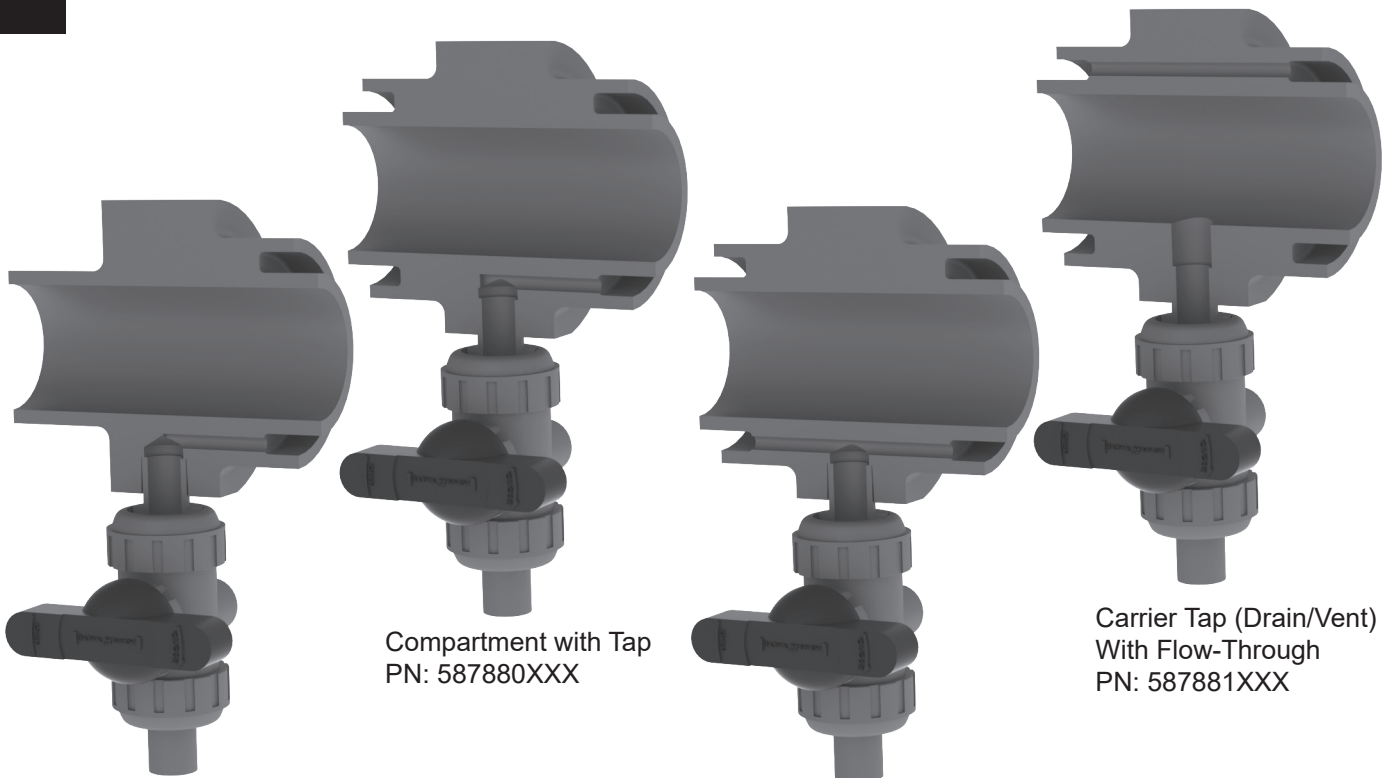


**DOGBONE® WITH CARRIER TAP FLOW-THROUGH**

Size		Dimensions						SDR 11 x 17 / PN 10 / 150 PSI		
mm	inch	L1		L2		L3		Tap	Chem Proline® PE	Proline® PP-R
		mm	inch	mm	inch	mm	inch		Part Number	Part Number
32 x 50	1 x 1-½	120	4%	50	1%	80	3%	1/2" NPT	587881211	507881211
63 x 90	2 x 3	120	4%	50	1%	120	4%	1/2" NPT	587881338	507881338
110 x 160	4 x 6	120	4%	50	1%	190	7%	1/2" NPT	587881532	507881532

Ideal for primary pipe drain and vent needs, while maintaining annular passage.

**Poly-Flo®**  
**Dogbone® Arrangements**



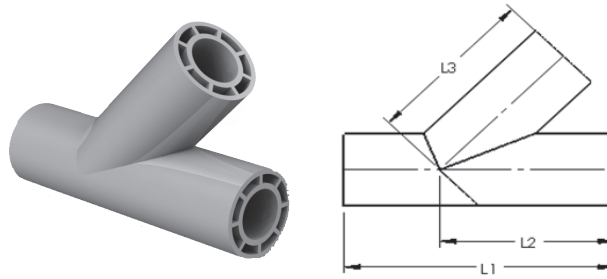
End Term with Tap  
PN: 587860XXX

Compartment with Tap  
PN: 587880XXX

Flow-Through with Tap  
PN: 587878XXX

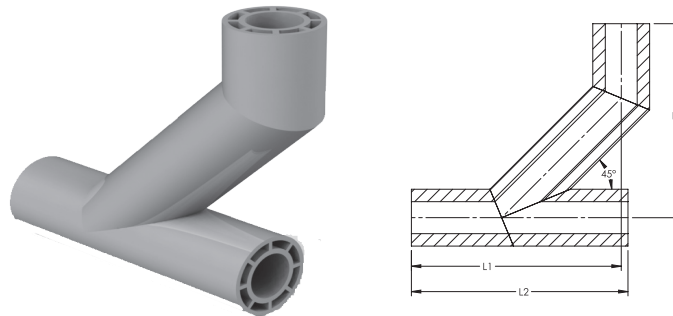
Carrier Tap (Drain/Vent)  
With Flow-Through  
PN: 587881XXX





**MITERED LATERAL**

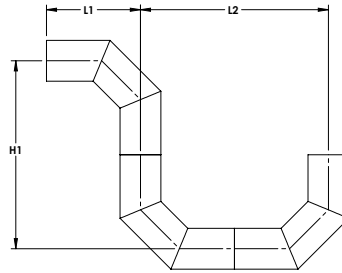
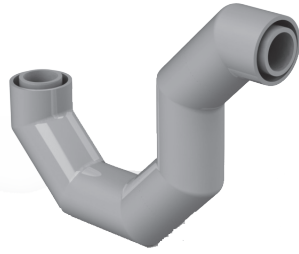
Size		Dimensions						SDR 11 x 17 / MOP 5 PSI	
mm	inch	L1		L2		L3		Chem Proline® PE	Proline® PP-R
		mm	inch	mm	inch	mm	inch	Part Number	Part Number
63 x 90	2 x 3	400	15 <sup>5</sup> / <sub>8</sub>	250	9 <sup>3</sup> / <sub>4</sub>	250	9 <sup>3</sup> / <sub>4</sub>	587874338	507874338
110 x 160	4 x 6	550	21 <sup>5</sup> / <sub>8</sub>	355	13 <sup>7</sup> / <sub>8</sub>	355	13 <sup>7</sup> / <sub>8</sub>	587874532	507874532



**LATERAL WITH 1/8 BEND (COMBO)**

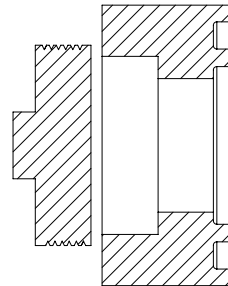
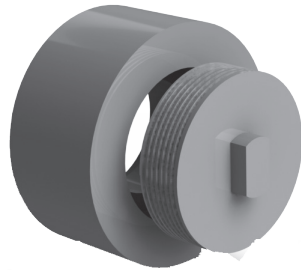
Size		Dimensions						SDR 11 x 17 / MOP 5 PSI	
mm	inch	L1	L1	L2	L2	H1	H1	Chem Proline® PE	Proline® PP-R
		mm	inch	mm	inch	mm	inch	Part Number	Part Number
63 x 90	2 x 3	457	18	368	14.5	330	13	587888338	507888338
110 x 160	4 x 6	591	23.25	607	24	546	21.5	587888532	507888532





**P-TRAP - FABRICATED**

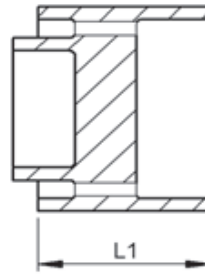
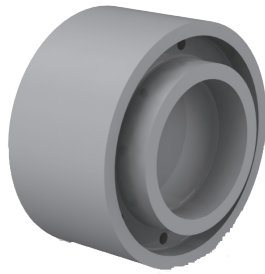
Size		Dimensions				SDR 11 x 17 / MOP 5 PSI	
mm	inch	L	L	H1	H1	Chem Proline® PE	Proline® PP-R
		mm	inch	mm	inch	Part Number	Part Number
63 x 90	2 x 3	737	29	493	19.4	587882338	507882338
110 x 160	4 x 6	1105	43.5	737	29	587882532	507882532



**CLEANOUT WITH PLUG**

Size		Dimensions			SDR 11 x 17 / MOP 5 PSI	
mm	inch	L1	L1	NPT	Chem Proline® PE	Proline® PP-R
		mm	inch	inch	Part Number	Part Number
32 x 50	1 x 1-½	76.2	3	1	587886211	507886211
63 x 90	2 x 3	76.2	3	2	587886338	507886338
110 x 160	4 x 6	76.2	3	4	587886532	507886532

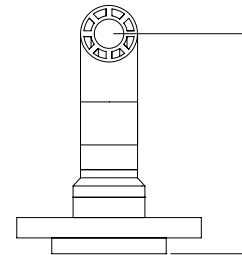
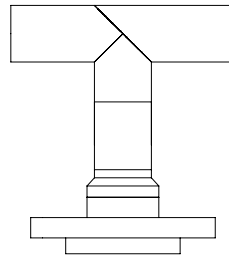
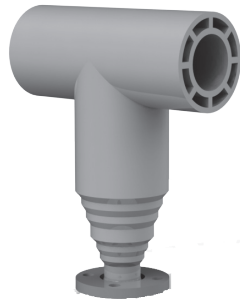
Poly-Flo®



### OUTER WALL ADAPTER\*

Size		Dimensions		SDR 11 x 17 / PN 10 / 150 PSI	
mm	inch	L		Chem Proline® PE	Proline® PP-R
		mm	inch	Part Number	Part Number
32 x 50	1 x 1-½	60	2¼	587857211	507857211
63 x 90	2 x 3	70	2¾	587857338	507857338
110 x 160	4 x 6	80	3⅝	587857532	507857532

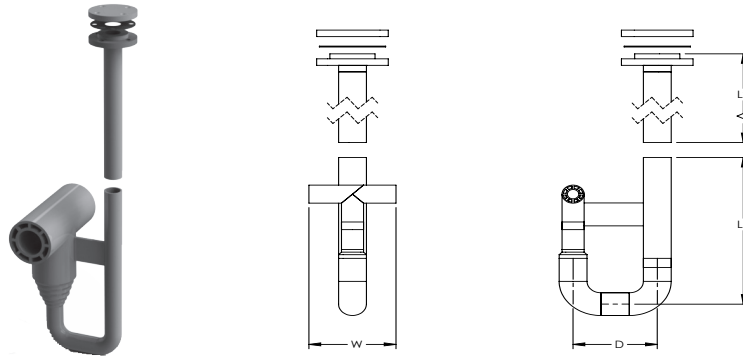
\*Closes off primary pipe passage for leak detection.



### OUTER WALL FLANGED ADAPTER\*

Size		Dimensions		SDR 11 x 17 / PN 10 / 150 PSI	
mm	inch	L		Chem Proline® PE	Proline® PP-R
		mm	inch	Part Number	Part Number
32 x 50	1 x 1-½	60	2¼	587867211	507867211
63 x 90	2 x 3	70	2¾	587867338	507867338
110 x 160	4 x 6	80	3⅝	587867532	507867532

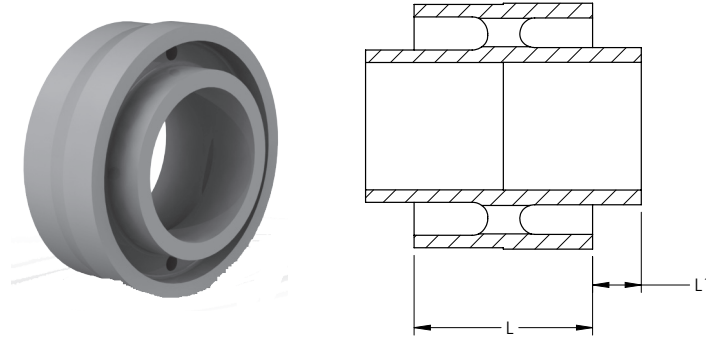
\*For above ground leak detection needs, 2" ANSI 150# flange connection for all sizes.



**LOW POINT LEAK DETECTION STATION\***

Size		Dimensions				SDR 11 x 17 / PN 10 / 150 PSI	
mm	inch	D	W	L1	L2	Chem Proline® PE	Proline® PP-R
		inch	inch	inch	inch	Part Number	Part Number
32 x 50	1 x 1-½	7.5	7.75	16	20	587866211	507866211
63 x 90	2 x 3	8	9.25	19	20	587866338	507866338
110 x 160	4 x 6	9	15	24	20	587866532	507866532

\*For below ground leak detection needs.



**POLY-FLO® TRANSITIONS - MACHINED\***

Size		Dimensions		SDR 11 x 17 / PN 10 / 100 PSI	
mm	inch	L	L1	Chem Proline® PE	Proline® PP-R
		inch	inch	Part Number	Part Number
32 x 50	1 x 1-½	1.4	0.39	587883211	507883211
63 x 90	2 x 3	1.68	0.39	587883338	507883338
110 x 160	4 x 6	2.22	0.39	587883532	507883532

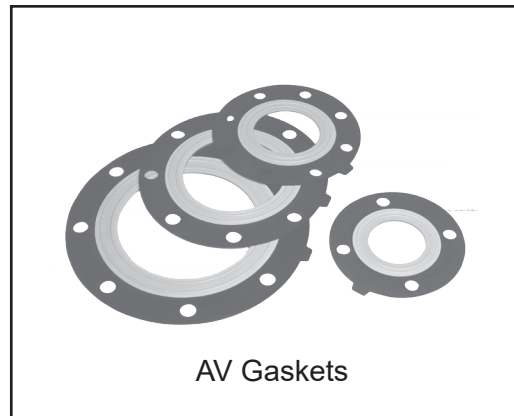
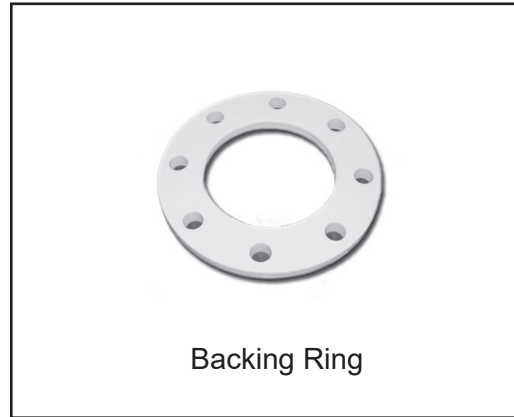
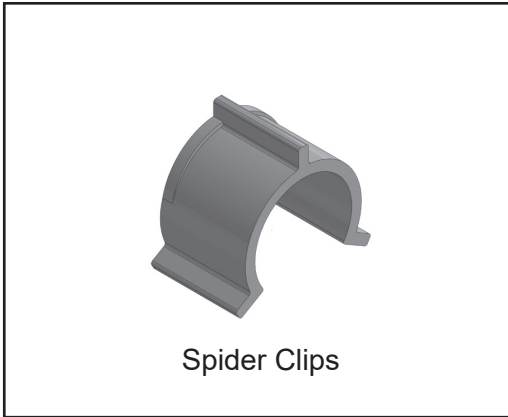
\*Used to connect new Poly-Flo® to old Poly-Flo® systems.

**POLY-FLO® TRANSITIONS - MACHINED\***

Size		Dimensions		SDR 11 x 17 / PN 10 / 100 PSI	
mm	inch	L	L1	Duo-Pro®	Chem Prolok®
		inch	inch	Part Number	Part Number
63 x 90	2 x 3	1.68	0.39	507843338	587843332
110 x 160	4 x 6	2.22	0.39	507843532	587843532

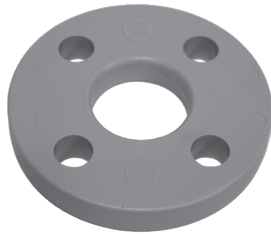
Page left blank intentionally

# Piping System Accessories



Accessories

**BACKING RING\***

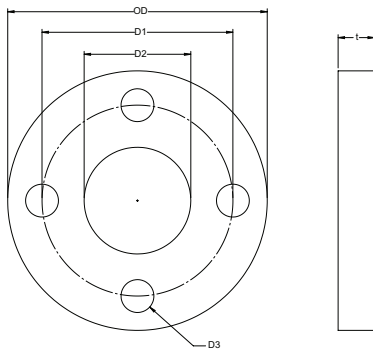


**Backing Ring**

Size		Description	PP - Grey
mm	inch		Part Number
20	1/2	ANSI 150#	5046005
25	3/4	ANSI 150#	5046007
32	1	ANSI 150#	5046010
40	1-1/4	ANSI 150#	5046012
50	1-1/2	ANSI 150#	5046015
63	2	ANSI 150#	5046020
75	2-1/2	ANSI 150#	5046025
90	3	ANSI 150#	5046030
110	4	ANSI 150#	5046040
160	6	ANSI 150#	5046060
200/225	8	ANSI 150#	5046080
250/280	10	ANSI 150#	5046100
315	12	ANSI 150#	5046120

\*DIN bolt pattern PN 10/16 available.

**Accessories**



Size		Dimensions						
mm	inch	OD	D1	D2	D3	t	Weight	# of Bolt Holes
20	1/2	3.740	2.380	1.102	0.630	0.472	0.463	4
25	3/4	4.016	2.750	1.339	0.630	0.472	0.529	4
32	1	4.488	3.120	1.654	0.630	0.630	0.807	4
40	1-1/4	5.118	3.500	2.008	0.630	0.630	1.235	4
50	1-1/2	5.236	3.880	2.441	0.630	0.709	1.193	4
63	2	6.378	4.750	3.071	0.787	0.709	1.788	4
75	2-1/2	7.244	5.500	3.622	0.787	0.709	2.352	4
90	3	7.638	6.000	4.370	0.787	0.709	2.271	4
110	4	9.016	7.500	5.236	0.787	0.709	3.342	8
160	6	11.142	9.500	7.008	0.866	0.945	5.115	8
200/225	8	13.583	11.750	9.291	0.866	0.945	7.474	8
250/280	10	16.220	14.250	11.339	0.984	1.024	13.669	12
315	12	19.173	17.000	13.307	0.984	1.260	28.748	12

225mm (9") and 200mm (8") stub ends use 8" ANSI backing rings.  
Consult factory for backing rings larger than 315mm (12").



## BACKING RING\*

Size		Description	PP - Black*
mm	inch		Part Number
20	1/2	ASNI 150#	5146005
25	3/4	ASNI 150#	5146007
32	1	ASNI 150#	5146010
40	1-1/4	ASNI 150#	5146012
50	1-1/2	ASNI 150#	5146015
63	2	ASNI 150#	5146020
75	2-1/2	ASNI 150#	5146025
90	3	ASNI 150#	5146030
110	4	ASNI 150#	5146040
160	6	ASNI 150#	5146060
200/225	8	ASNI 150#	5146080
250/280	10	ASNI 150#	5146100
315	12	ASNI 150#	5146120



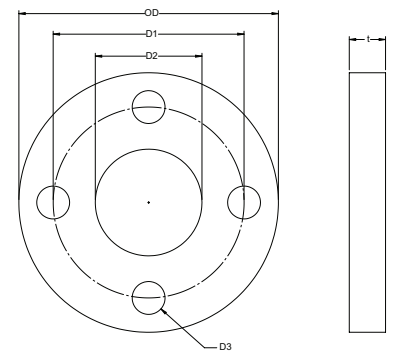
Backing Ring

\*DIN bolt pattern PN 10/16 available.

\*PP black UV resistant.

Accessories

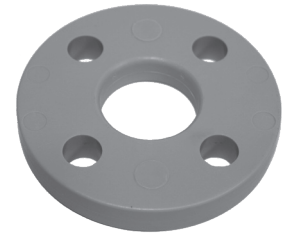
Size		Dimensions						
mm	inch	OD	D1	D2	D3	t	Weight	# of Bolt Holes
20	1/2	3.740	2.380	1.102	0.630	0.472	0.463	4
25	3/4	4.016	2.750	1.339	0.630	0.472	0.529	4
32	1	4.488	3.120	1.654	0.630	0.630	0.807	4
40	1-1/4	5.118	3.500	2.008	0.630	0.630	1.235	4
50	1-1/2	5.236	3.880	2.441	0.630	0.709	1.193	4
63	2	6.378	4.750	3.071	0.787	0.709	1.788	4
75	2-1/2	7.244	5.500	3.622	0.787	0.709	2.352	4
90	3	7.638	6.000	4.370	0.787	0.709	2.271	4
110	4	9.016	7.500	5.236	0.787	0.709	3.342	8
160	6	11.142	9.500	7.008	0.866	0.945	5.115	8
200/225	8	13.583	11.750	9.291	0.866	0.945	7.474	8
250/280	10	16.220	14.250	11.339	0.984	1.024	13.669	12
315	12	19.173	17.000	13.307	0.984	1.260	28.748	12



225mm (9") and 200mm (8") stub ends use 8" ANSI backing rings.  
Consult factory for backing rings larger than 315mm (12").

**BACKING RING\***

Size		Description	Ductile Iron+	316 SS++
mm	inch		Part Number	Part Number
20	1/2	ANSI 150#	-	504501005
25	3/4	ANSI 150#	5048007	504501007
32	1	ANSI 150#	5048010	504501010
40	1-1/4	ANSI 150#	5048012	-
50	1-1/2	ANSI 150#	5048015	504501015
63	2	ANSI 150#	5048020	504501020
75	2-1/2	ANSI 150#	5048025	-
90	3	ANSI 150#	5048030	504501030
110	4	ANSI 150#	5048040	504501040
160	6	ANSI 150#	5048060	504501060
200/225	8	ANSI 150#	5048080	504501080
250/280	10	ANSI 150#	5048100	504501100
315	12	ANSI 150#	5048120	504501120
355	14	ANSI 150#	5048140	-
400	16	ANSI 150#	5048160	-
450	18	ANSI 150#	5048180	-
500	20	ANSI 150#	5048200	-
550	22	ANSI 150#	5048220	-
630	24	ANSI 150#	5048240	-

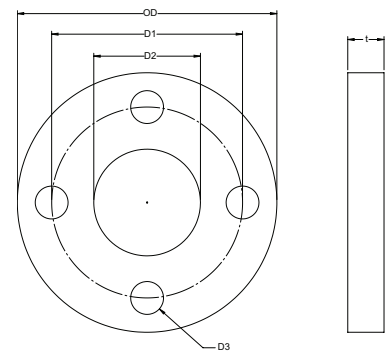


**Backing Ring**

Accessories

\*DIN bolt pattern PN 10/16 available.  
 +DI backing rings not recommended for socket stub ends.  
 ++ Contact A/A for current Stainless Steel pricing.

Size		Dimensions							# of Bolt Holes
mm	inch	OD	D1	D2	D3	t	Weight		
20	1/2	3.740	2.380	1.102	0.630	0.472	0.463	4	
25	3/4	4.016	2.750	1.339	0.630	0.472	0.529	4	
32	1	4.488	3.120	1.654	0.630	0.630	0.807	4	
40	1-1/4	5.118	3.500	2.008	0.630	0.630	1.235	4	
50	1-1/2	5.236	3.880	2.441	0.630	0.709	1.193	4	
63	2	6.378	4.750	3.071	0.787	0.709	1.788	4	
75	2-1/2	7.244	5.500	3.622	0.787	0.709	2.352	4	
90	3	7.638	6.000	4.370	0.787	0.709	2.271	4	
110	4	9.016	7.500	5.236	0.787	0.709	3.342	8	
160	6	11.142	9.500	7.008	0.866	0.945	5.115	8	
200/225	8	13.583	11.750	9.291	0.866	0.945	7.474	8	
250/280	10	16.220	14.250	11.339	0.984	1.024	13.669	12	
315	12	19.173	17.000	13.307	0.984	1.260	22.500	12	
355	14	21.000	19.750	14.800	1.130	1.380	30.000	12	
400	16	23.500	21.250	16.930	1.130	1.440	35.000	16	
450	18	25.000	22.750	18.500	1.250	1.560	39.000	16	
500	20	27.500	25.000	21.250	1.250	1.690	56.000	20	
630	24	32.000	29.500	25.000	1.380	2.130	74.000	20	



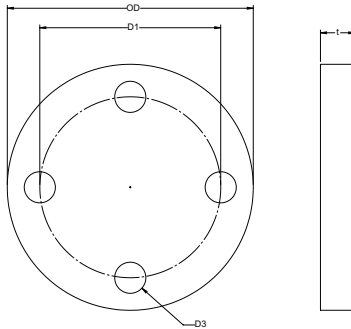
### PP BLIND FLANGE



**PP  
Blind Flange**

Size		Description	230 PSI Part Number
mm	inch		
20	1/2	Steel Insert, ANSI 150#	5042005
25	3/4	Steel Insert, ANSI 150#	5042007
32	1	Steel Insert, ANSI 150#	5042010
40	1-1/4	Steel Insert, ANSI 150#	5042012
50	1-1/2	Steel Insert, ANSI 150#	5042015
63	2	Steel Insert, ANSI 150#	5042020
75	2-1/2	Steel Insert, ANSI 150#	5042025
90	3	Steel Insert, ANSI 150#	5042030
110	4	Steel Insert, ANSI 150#	5042040
160	6	Steel Insert, ANSI 150#	5042060
200	8	Steel Insert, ANSI 150#	5042080
250	10	Steel Insert, ANSI 150#	5042100
315	12	Steel Insert, ANSI 150#	5042120

**Accessories**



Size		OD	D1	D3	t	Weight (lbs)	# of Bolt Holes
mm	inch						
20	1/2	3.740	2.380	0.630	0.472	0.569	4
25	3/4	4.016	2.750	0.630	0.472	0.750	4
32	1	4.488	3.120	0.630	0.630	1.118	4
40	1-1/4	5.118	3.500	0.630	0.630	1.614	4
50	1-1/2	5.236	3.880	0.630	0.709	1.775	4
63	2	6.378	4.750	0.787	0.709	2.690	4
75	2-1/2	7.244	5.500	0.787	0.709	3.400	4
90	3	7.638	6.000	0.787	0.709	4.057	4
110	4	9.016	7.500	0.787	0.709	6.504	8
160	6	11.142	9.500	0.866	0.945	11.244	8
200	8	13.583	11.750	0.866	0.945	17.461	8
250	10	16.220	14.250	0.984	1.024	33.400	12
315	12	19.173	17.000	0.984	1.260	63.493	12

### PVDF BLIND FLANGE LINER

Size		Description	Not Pressure Rated Part Number
mm	inch		
20	1/2	ANSI 150#	5427005
25	3/4	ANSI 150#	5427007
32	1	ANSI 150#	5427010
40	1-1/4	ANSI 150#	5427012
50	1-1/2	ANSI 150#	5427015
63	2	ANSI 150#	5427020
75	2-1/2	ANSI 150#	5427025
90	3	ANSI 150#	5427030
110	4	ANSI 150#	5427040
160	6	ANSI 150#	5427060
200	8	ANSI 150#	5427080

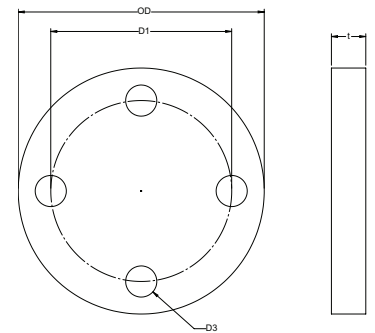


**PVDF  
Blind Flange**

Machined item non-returnable / non-cancelable.  
Not for pressure applications unless utilized with pressure rated blind flange see above.

Accessories

Size		OD	D1	D3	t	Weight (lbs)	# of Bolt Holes
mm	inch						
20	1/2	3.740	2.380	0.630	0.669	0.258	4
25	3/4	4.016	2.750	0.630	0.669	0.340	4
32	1	4.488	3.120	0.630	0.669	0.507	4
40	1-1/4	5.118	3.500	0.630	0.669	0.732	4
50	1-1/2	5.236	3.880	0.630	0.669	0.805	4
63	2	6.378	4.750	0.787	0.669	1.220	4
75	2-1/2	7.244	5.500	0.787	0.669	1.542	4
90	3	7.638	6.000	0.787	0.669	1.840	4
110	4	9.016	7.500	0.787	0.669	2.950	8
160	6	11.142	9.500	0.866	0.669	5.100	8
200	8	13.583	11.750	0.866	0.669	7.920	8
250	10	16.220	14.250	0.984	0.669	15.150	12
315	12	19.173	17.000	0.984	0.669	28.800	12



**AV Gaskets**

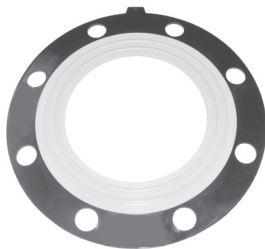
Please consult current Valve List Price book to ensure the list prices on all AV gaskets are current. Current Valve Price book supersedes this pricing.



**EPDM**  
Durometer 65-70



**PVDF**  
Durometer 83-85



**PTFE**  
Durometer 95-100

**CT GASKETS -PTFE\***



**PTFE**

\* Non stock-special order

**AV Gaskets - EPDM**

Size	Description	Part Number
1/2"	EPDM	3113005
3/4"	EPDM	3113007
1"	EPDM	3113010
1-1/4"	EPDM	3113012
1-1/2"	EPDM	3113015
2"	EPDM	3113020
2-1/2"	EPDM	3113025
3"	EPDM	3113030
4"	EPDM	3113040
6"	EPDM	3113060
8"	EPDM	3113080
10"	EPDM	3113100
12"	EPDM	3113120

**AV Gaskets - PVDF**

Size	Description	Part Number
1/2"	PVDF	3115005
3/4"	PVDF	3115007
1"	PVDF	3115010
1-1/2"	PVDF	3115015
2"	PVDF	3115020
3"	PVDF	3115030
4"	PVDF	3115040
6"	PVDF	3115060
8"	PVDF	3115080
10"	PVDF	3115100

**AV Gaskets - PTFE**

Size	Description	Part Number
1/2"	PTFE	3114005
3/4"	PTFE	3114007
1"	PTFE	3114010
1-1/4"	PTFE	3114012
1-1/2"	PTFE	3114015
2"	PTFE	3114020
2-1/2"	PTFE	3114025
3"	PTFE	3114030
4"	PTFE	3114040
6"	PTFE	3114060
8"	PTFE	3114080
10"	PTFE	3114100
12"	PTFE	3114120

General grade, available cleaned and bagged.

Size		Description	Part Number
mm	inch		
355	14	ANSI 150#	3116140
400	16	ANSI 150#	3116160
450	18	ANSI 150#	3116180
500	20	ANSI 150#	3116200
630	24	ANSI 150#	3116240

**Accessories**

**SPIDER CLIP - PP**

Size		PRO150 X 150	PRO150 X 45	PRO45 X 45
mm	inch	Part Number	Part Number	Part Number
32 x 90	1 X 3	5244134	-	-
63 x 110	2 X 4	5244420	5346420	-
90 x 160	3 X 6	5244531	5346531	-
110 x 200	4 X 8	5244583	5346583	5346583
160 x 250	6 X 10	5244627	5346627	5346627
200 x 315	8 X 12	5244660	5346660	5346660
250 x 355	10 X 14	5244702	5346702	5346702
315 x 400	12 X 16	5244690	5346690	5346690
355 x 450	14 X 18	5244710	5346710	5346710
400 x 500	16 X 20	-	5346726	5346726



**PP  
Spider Clip**

**SPIDER CLIP - PVDF**

Size		PRO150 X 150	PRO150 X 45	PRO45 X 45
mm	inch	Part Number	Part Number	Part Number
32 x 90	1 X 3	5244134	-	-
63 x 110	2 X 4	5244420	5346420	-
90 x 160	3 X 6	5244531	5346531	-
110 x 200	4 X 8	5244583	5346583	5346583
160 x 250	6 X 10	5244627	5346627	5346627
200 x 315	8 X 12	5244660	5346660	5346660
250 x 355	10 X 14	5244702	5346702	5346702
315 x 400	12 X 16	5244690	5346690	5346690
355 x 450	14 X 18	5244710	5346710	5346710
400 x 500	16 X 20	-	5346726	5346726

**SPIDER CLIP - PE (FOR CHEM PROLINE®)**

Sizes		SDR	Part Number
mm	inches		
32 x 90	1 x 3	SDR 11 x 11	4784134
63 x 110	2 x 4	SDR 11 X 33	4784420
90 x 169	3 x 6	SDR 11 x 33	4784531
110 x 200	4 x 8	SDR 11 x 33	4784583
200 x 250	6 x 10	SDR 11 x 33	4784627
200 x 315	8 x 12	SDR 11 x 33	4784660
250 x 355	10 x 14	SDR 11 x 33	4784702
315 x 400	12 x 16	SDR 11 x 33	4784690



**PE  
Spider Clip**

**SUPPORT DISC - PP**

**PP  
Support  
Disc**

Size		PRO150 X 150	PRO150 X 45	PRO45 X 45
mm	inch	Part Number	Part Number	Part Number
32 x 90	1 X 3	5242134	-	-
63 x 110	2 X 4	5242420	5344420	-
90 x 160	3 X 6	5242531	5344531	-
110 x 200	4 X 8	5242583	5344583	5344583
160 x 250	6 X 10	5242627	5344627	5344627
200 x 315	8 X 12	5242660	5344660	5344660
250 x 355	10 X 14	5242702	5344702	5344702
315 x 400	12 X 16	-	5344690	5344690
355 x 450	14 X 18	-	5344710	5344710
400 x 500	16 X 20	-	5344726	5344726

Required if full pipe length is cut. Must be installed before welding pipe.

**SUPPORT DISC - PVDF**

**PVDF  
Support  
Disc**

Size		PVDF X PVDF
mm	inch	Part Number
32 x 90	1 X 3	6238134
63 x 110	2 X 4	6238420
90 x 160	3 X 6	6238531
110 x 200	4 X 8	6238583
160 x 250	6 X 10	6238627
200 x 315	8 X 12	6236660

Required if full pipe length is cut. Must be installed before welding pipe.

**SUPPORT DISC - PE (FOR CHEM PROLINE®)**

**PE  
Support  
Disc**

Sizes		SDR	Part Number
mm	inches		
32 x 90	1 x 3	SDR 11 x 11	4744134
63 x 110	2 x 4	SDR 11 X 33	4744420
90 x 169	3 x 6	SDR 11 x 33	4744531
110 x 200	4 x 8	SDR 11 x 33	4744583
200 x 250	6 x 10	SDR 11 x 33	4744627
200 x 315	8 x 12	SDR 11 x 33	4744660
250 x 355	10 x 14	SDR 11 x 33	4744702
315 x 400	12 x 16	SDR 11 x 33	4744690

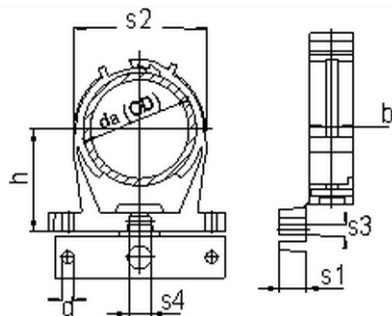
Required if full pipe length is cut. Must be installed before welding pipe.



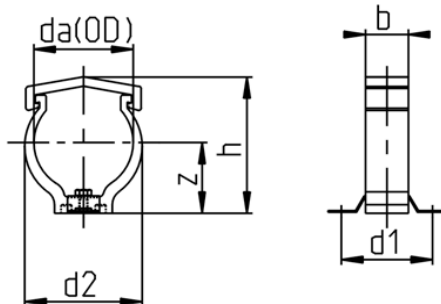
**PIPE CLIPS**

Size		Description	Part Number
mm	inch		
20	1/2	Snap Clips	5349005
25	3/4	Snap Clips	5349007
32	1	Snap Clips	5349010
40	1-1/4	Snap Clips	5349012
50	1-1/2	Snap Clips	5349015
63	2	2 Piece Clip	5246020
75	2-1/2	2 Piece Clip	5246025
90	3	2 Piece Clip	5246030
110	4	2 Piece Clip	5246040
160	6	2 Piece Clip	5246060
200	8	2 Piece Clip	5246080
225	9	2 Piece Clip	5246090

Accessories



Size		h	s1	s2	s3/d	s4	b
mm	inch						
20	1/2	1.06	0.24	1.14	0.26	0.35	0.55
25	3/4	1.18	0.40	1.34	0.26	0.35	0.63
32	1	1.24	0.45	1.54	0.26	0.35	0.63
40	1-1/4	1.46	0.55	1.97	0.26	0.35	0.69
50	1-1/2	1.61	0.59	2.20	0.26	0.35	0.79



Size		z	d1	d2	h	b
mm	inch					
63	2	2.04	2.91	3.07	3.74	1.16
75	2-1/2	2.40	3.23	3.70	4.41	1.57
90	3	2.63	3.22	4.25	5.03	1.57
110	4	3.14	3.22	5.39	5.98	1.57
160	6	4.56	4.33	7.24	8.54	2.36
200	8	5.82	4.33	9.37	10.50	2.36
225	9	6.22	4.33	10.28	11.46	2.36





**PIPE CLIPS**

Size		Description	Part Number
mm	inch		
250	10	Snap Clips	5350100
280	11	Snap Clips	5350110
315	12	Snap Clips	5350120
355	14	Snap Clips	5350140
400	16	Snap Clips	5350160

10-16" pipe clips are special order.

Accessories

Size		B	D	E	d3	Z1	Z2
mm	inch						
250	10	7.88	0.98	1.57	0.51	7.19	5.61
280	11	7.88	0.98	1.57	0.51	7.78	6.12
315	12	8.86	0.98	1.57	0.51	8.6	6.75
355	14	10.12	1.18	1.97	0.67	10.87	8.27
400	16	11.34	1.18	1.97	0.67	11.85	9.06

