



Chem Proline®

Advanced PE Single Wall Piping System



Chem Proline®

Black Polyethylene (Advanced PE)

Piping System

REV:IN0512PE

Materials: ASTM D3350 cell classification PE445584C. Resin shall comply with FDA Code of Federal Regulators (CFR), Title 21, Chapter 1: Section 177.1520 determining suitability for contact with foodstuff.

Pipe and fittings are certified to NSF 61-G.

Pipe Production: Dimensions and tolerances shall exceed ISO 15494 requirement.

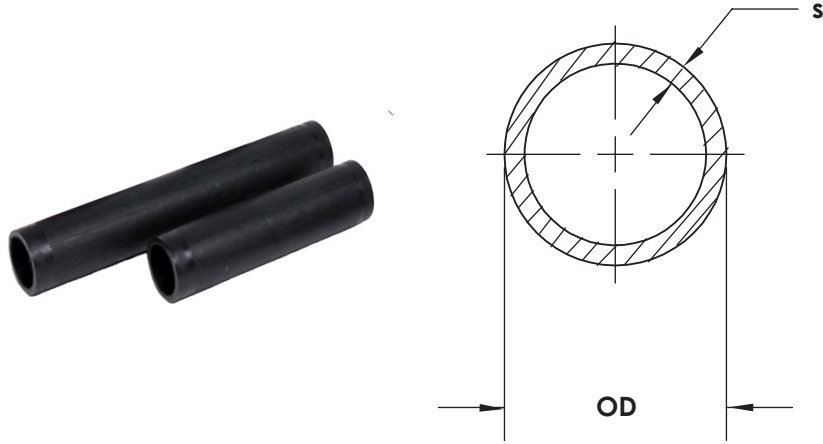
Fitting Production: Dimensions and tolerances shall exceed ISO 15494 requirement.

Pressure Rating: Components shall be pressure rated in accordance with ASTM D2837 and DIN 8077 for hydrostatic design basis. Components shall be manufactured to standard dimensional ratio (SDR) 7 & 11.

SDR7 and SDR11 are pressure reduced for general chemical use to 150psi (PN10), contact Asahi America for pressure ratings of specific chemicals. (SDR11 for water use is rated 16 bar (232 psi) at 20°C for 50 year expected life)

PN = Nominal pressure in bar.

Joining: Available methods shall be according to the schedule below
 DVS 2208-1 Socket: 1/2" (20mm) through 4" (110mm)
 DVS 2207-1 Contact Butt: 1" (32mm) through max product size



Chem Proline®

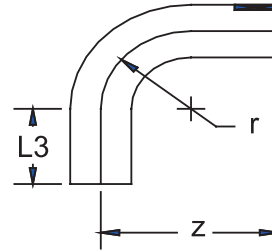
PIPE 5 meter (16.4') lengths

Nominal Size	Dimensions			SDR 11 / MOP 150 PSI		
	inch	mm	OD	s	Weight (lbs/lth)	Part Number
1/2		20	0.787	0.079	1.76	581202005
3/4		25	0.984	0.091	2.65	581202007
1		32	1.260	0.118	3.09	581202010
1-1/2		50	1.968	0.181	7.39	581202015
2		63	2.480	0.228	11.68	581202020
3		90	3.543	0.323	23.60	581202030
4		110	4.330	0.394	35.05	581202040
6		160	6.300	0.575	74.30	581202060
8		200	7.870	0.717	115.74	581202080
10		250	9.870	0.894	179.68	581202100
12		315	12.400	1.126	285.50	581202120

Pipe and fitting OD size is metric. Inch OD provided as nominal size only. PN10/150psi pressure rating.

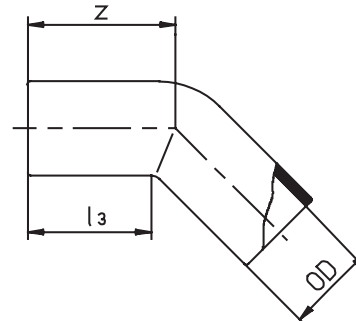
COILED PIPE 50 and 100 meter coils						
Size		Dimensions			SDR7 / MOP 150 PSI	
mm	inch	OD	s	Coil Lth m/ft	Weight Lbs/coil	Part Number
25mm	3/4	0.984	0.138	50/164	17.6	581102007050
25mm	3/4	0.984	0.138	100/328	35.2	581102007100
Size		Dimensions			SDR11 / MOP 150 PSI	
32mm	1	1.26	0.118	50/164	30.9	581202010050
32mm	1	1.26	0.118	100/328	61.8	581202010100

Current stock- check with A/A for availability of other sizes



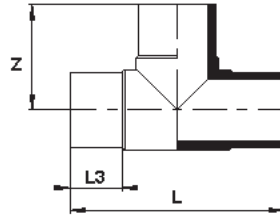
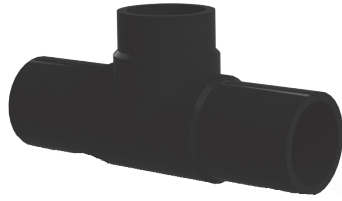
EXTENDED LEG 90 DEGREE ELBOW

Size		Dimensions			SDR 11 / PN 10 / 150 PSI	
mm	inch	L3	r	z	Weight (lbs)	Part Number
20	1/2	1.57	0.79	2.36	0.03	581243005
25	3/4	1.67	0.98	2.70	0.05	581243007
32	1	1.85	1.26	3.11	0.09	581243010
50	1-1/2	2.04	1.58	3.64	0.18	581243015
63	2	2.62	2.48	5.10	0.57	581243020
90	3	2.99	3.54	6.61	1.46	581243030
110	4	3.23	4.33	7.56	2.40	581243040
160	6	3.96	6.30	10.30	6.87	581243060
200	8	4.67	7.87	12.54	12.79	581243080
250	10	7.28	10.04	17.32	29.41	581243100
315	12	6.22	12.40	18.70	46.34	581243120



BUTT 45 DEGREE ELBOW

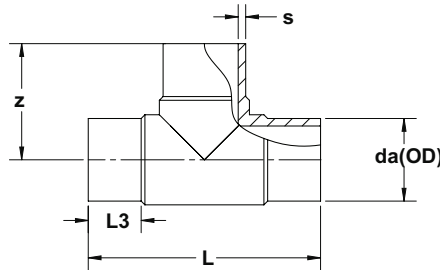
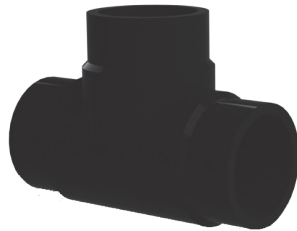
Size		Dimensions		SDR 11 / PN 10 / 150 PSI	
mm	inch	l3	z	Weight (lbs)	Part Number
20	1/2	1.54	1.73	0.02	581244005
25	3/4	1.65	1.89	0.04	581244007
32	1	1.93	2.24	0.07	581244010
50	1-1/2	2.24	2.76	0.22	581244015
63	2	2.52	3.15	0.37	581244020
90	3	3.23	4.09	0.97	581244030
110	4	3.25	4.25	1.52	581244040
160	6	4.59	6.16	4.54	581244060
200	8	4.80	6.77	7.85	581244080
250	10	6.22	8.54	15.34	581244100
315	12	6.97	9.88	27.34	581244120



EXTENDED LEG BUTT TEE

Size		Dimensions			SDR 11 / PN 10 / 150 PSI	
mm	inch	z	L	L3	Weight (lbs)	Part Number
20	1/2	2.36	4.29	1.46	0.07	581245005
25	3/4	2.70	4.61	1.57	0.09	581245007
32	1	2.80	5.67	1.77	.13	581245010
50	1-1/2	3.74	7.44	2.24	.42	581245015
63	2	4.53	9.02	2.60	.82	581245020
90	3	5.71	11.42	3.23	2.09	581245030
110	4	6.30	12.60	3.39	3.35	581245040
160	6	8.19	16.06	3.94	8.86	581245060
200	8	9.84	19.68	4.57	17.06	581245080
250	10	12.40	24.80	5.83	31.83	581245100
315	12	14.96	29.92	6.69	61.29	581245120

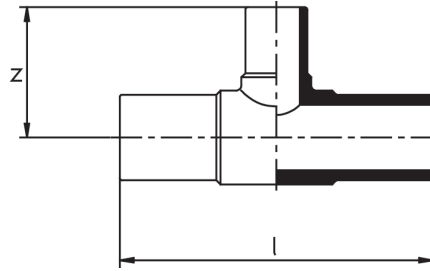
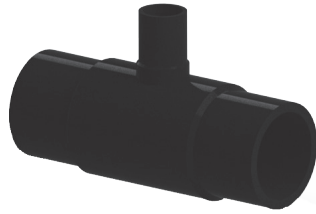
Chem Proline®



MOLDED TEE*

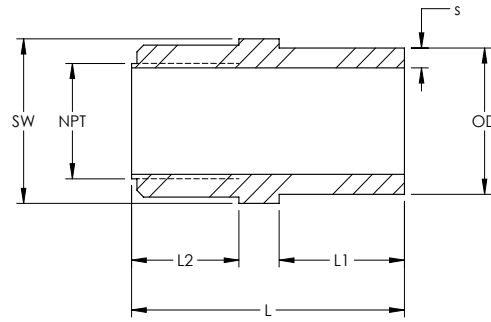
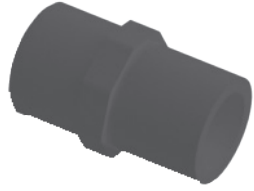
Size		Dimensions			SDR 11 / PN 10 / 150 PSI	
mm	inch	L3	L	Z	Weight (lbs)	Part Number
20	1/2	0.69	2.68	1.34	0.02	581246005
25	3/4	0.81	3.15	1.57	0.04	581246007
32	1	0.81	3.54	1.77	0.09	581246010
50	1-1/2	0.91	4.72	2.36	0.24	581246015
63	2	0.98	5.67	2.83	0.49	581246020
90	3	1.50	8.39	4.13	1.52	581246030
110	4	2.01	9.96	4.80	2.65	581246040
160	6	2.24	13.62	6.81	7.23	581246060
200	8	2.24	15.94	7.97	13.18	581246080
250	10	2.83	18.50	9.25	23.94	581246100
315	12	3.15	21.65	10.83	42.15	581246120

*Short spigot.

**REDUCING TEE***

Size		Dimensions		SDR 11 / PN 10 / 150 PSI	
mm	inch	l	z	Weight (lbs)	Part Number
63 x 25	2 x 3/4	6.69	3.35	0.67	581247248
63 x 32	2 x 1	8.50	3.94	0.66	581247249
63 x 50	2 x 1-1/2	8.66	4.06	0.67	581247251
90 x 32	3 x 1*	8.39	3.35	1.23	581247336
90 x 50	3 x 1-1/2*	8.39	3.54	1.23	581247337
90 x 63	3 x 2	10.83	5.39	1.65	581247338
110 x 32	4 x 1*	9.60	3.70	2.00	581247401
110 x 50	4 x 1-1/2*	9.60	4.06	2.09	581247415
110 x 63	4 x 2	12.40	6.26	2.67	581247420
110 x 90	4 x 3	12.40	6.10	2.69	581247422
160 x 63	6 x 2	13.66	6.89	5.67	581247530
160 x 90	6 x 3	13.74	7.17	5.82	581247531
160 x 110	6 x 4	15.75	7.95	7.01	581247532
200 x 63	8 x 2	21.65	8.86	14.79	581247581
200 x 90	8 x 3	22.05	8.94	14.82	581247582
200 x 110	8 x 4	22.01	9.65	15.52	581247583
200 x 160	8 x 6	21.65	10.43	18.39	581247585
250 x 110	10 x 4	24.80	9.76	28.20	581247626
250 x 160	10 x 6	24.80	10.55	29.56	581247627
250 x 200	10 x 8	24.80	11.42	31.53	581247628
315 x 90	12 x 3	21.46	11.42	35.32	581247657
315 x 110	12 x 4	21.85	11.42	33.69	581247658
315 x 160	12 x 6	23.03	12.40	36.60	581247659
315 x 200	12 x 8	26.77	12.99	46.30	581247660

* Fittings are short spigot style.

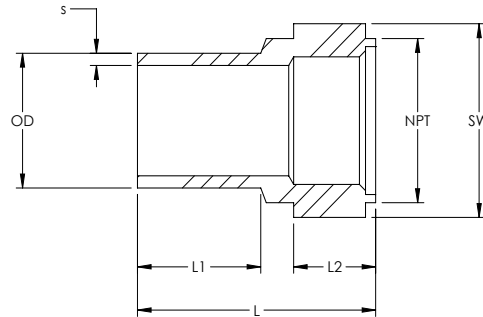
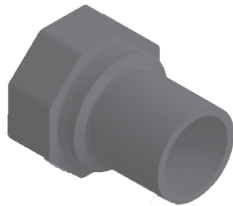


MALE ADAPTER

Size		Dimensions					SDR 11 / PN 10 / 150 PSI	
mm	inch	L	L1	L2	SW	NPT-Thread	Weight (lbs)	Part Number
20	1/2	1.81	.81	.71	.87	1/2"	0.02	581252005
25	3/4	2.01	.89	.79	1.06	3/4"	0.02	581252007
32	1	2.40	1.14	0.94	1.42	1"	0.07	581252010
50	1-1/2	2.91	1.30	1.10	2.17	1½"	0.13	581252015
63	2	3.15	1.38	1.22	2.56	2"	0.20	581252020
90	3*	4.00	1.62	1.63	3.54	3"	0.41	581152030
110	4*	4.00	1.52	1.73	4.60	4"	0.89	581152040

*Note different part number for 3" and 4*machined version (rated 5 psi).

Butt spigot end, can be used with socket fittings pages 23-27

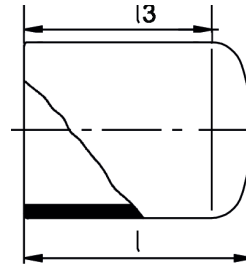


FEMALE ADAPTER

Size		Dimensions				SDR 11 / PN 10 / 150 PSI	
mm	inch	L	L2	SW	NPT-Thread	Weight (lbs)	Part Number
20	1/2	1.77	0.63	1.26	1/2"	0.03	581253005
25	3/4	2.01	0.71	1.61	3/4"	0.06	581253007
32	1	2.28	0.79	1.81	1"	0.08	581253010
50	1-1/2	2.68	0.94	2.76	1½"	0.21	581253015
63	2	2.95	1.10	3.35	2"	0.33	581253020
90	3*	4.00	2.37	4.30	3"	0.64	581153030
110	4*	4.00	2.27	5.20	4"	0.98	581153040

*Note different part number for 3" and 4" machined version (rated 5 psi).

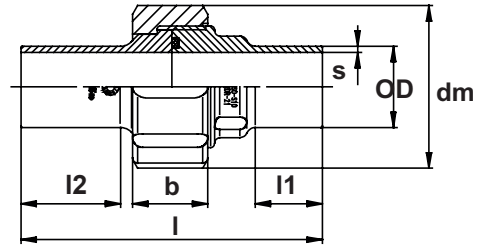
Butt spigot end, can be used with socket fittings pages 23-27



EXTENDED LEG END CAP

Size		Dimensions		SDR 11 / PN 10 / 150 PSI	
mm	inch	L	L3	Weight (lbs)	Part Number
20	1/2	1.83	1.65	0.02	581212005
25	3/4	1.89	1.65	0.03	581212007
32	1	2.13	1.77	0.04	581212010
50	1-1/2	2.80	2.24	0.11	581212015
63	2	3.31	2.44	0.20	581212020
90	3	4.21	3.31	0.55	581212030
110	4	5.24	4.13	1.00	581212040
160	6	6.59	4.36	2.65	581212060
200	8	7.15	5.00	4.54	581212080
250	10	9.06	5.98	8.68	581212100
315	12	10.31	6.57	15.65	581212120

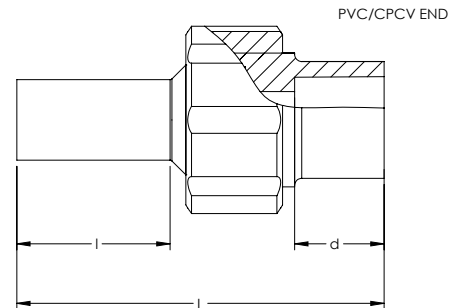




BUTT UNION

Chem Proline®

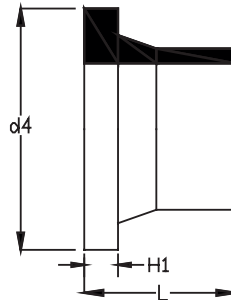
Size		Dimensions						SDR 11 / PN 10 / 150 PSI		
mm	inch	s	l	l1	l2	dm	b	Weight (lbs)	FKM Part Number	EPDM Part Number
20	1/2	0.079	4.25	0.94	1.50	1.85	0.94	0.11	581234005	-
25	3/4	0.091	4.49	0.94	1.54	2.24	1.02	0.18	581234007	-
32	1	0.114	4.69	0.98	1.54	2.52	1.18	0.24	581234010	581235010
50	1-1/2	0.181	5.12	0.98	1.73	3.50	1.38	0.53	581234015	581235015
63	2	0.228	5.35	0.98	1.73	4.29	1.54	0.86	581234020	581235020
90	3	0.323	5.24	1.40	2.24	5.12	1.57	1.41	581234030	581235030



TRANSITION UNION PVC/CPVC TO CHEM PROLINE (ADVANCED PE)

Size		Dimensions			SDR 11 / PN 10 / 150 PSI		
					Weight (lbs)	PVC Part Number	CPVC Part Number
mm	inch	L	l	d	Weight (lbs)	Part Number	Part Number
20	1/2	3.59	1.50	.875	0.13	581225005*	581226005*
25	3/4	3.71	1.54	1.00	0.21	581225007*	581226007*
32	1	3.99	1.54	1.125	0.28	581225010	581226010
50	1-1/2	4.84	1.74	1.375	0.68	581225015	581226015
63	2	5.16	1.74	1.500	1.20	581225020	581226020

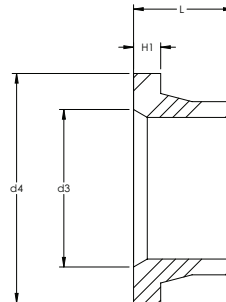
* 1/2" and 3/4" requires the use of socket fitting or coupling, butt fusion is not available for these sizes.



STUB END* (FLANGE ADAPTER)

Size		Dimensions			SDR 11 / PN 10 / 150 PSI	
mm	inch	d4	L	H1	Weight (lbs)	Part Number
20	1/2	1.75	2.05	0.28	0.04	581138005
25	3/4	2.13	1.97	0.35	0.07	581138007
32	1	2.50	1.97	.30	0.15	581138010
50	1-1/2	3.25	1.97	.47	0.29	581138015
63	2	3.95	1.97	.55	0.37	581138020
90	3	5.21	3.15	.67	0.90	581138030
110	4	6.22	3.15	.71	1.19	581138040
160	6	8.35	3.62	0.98	2.12	581138060
200	8	10.55	4.33	1.26	4.50	581138080
250	10	12.60	5.20	1.38	7.23	581138100
315	12	14.57	5.35	1.38	10.01	581138120

*Requires backing ring.

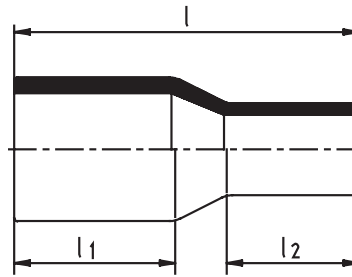


CHAMFERED STUB END*

Size		Dimensions				SDR 11 / PN 10 / 150 PSI	
mm	inch	d4	L	D3	H1	Weight (lbs)	Part Number
63	2	3.95	1.97	2.63	.55	0.37	581136020
90	3	5.21	3.15	3.50	.67	0.90	581136030
110	4	6.22	3.15	4.00	.71	1.19	581136040
160	6	8.35	3.62	5.73	0.98	2.12	581136060
200	8	10.55	4.33	7.02	1.26	4.50	581136080
250	10	12.60	5.20	9.13	1.38	7.23	581136100
315	12	14.57	5.35	11.13	1.38	10.01	581136120

*Requires backing ring. See page 282-284.

Machined chamfer for Asahi butterfly valve use. Consult factory for other manufacturers.

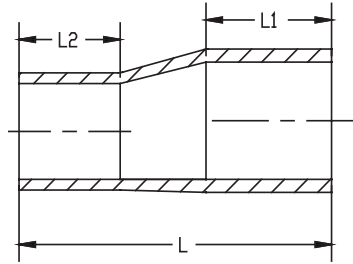


Chem Proline®

EXTENDED LEG CONCENTRIC REDUCER

Size		Description			SDR 11 / PN 10 / 150 PSI	
mm	inch	l1	l2	l	Weight (lbs)	Part Number
25 x 20	3/4 x 1/2*	1.61	1.61	3.43	0.04	581229101
32 x 20	1 x 1/2*	1.73	1.61	3.74	0.05	581229130
32 x 25	1 x 3/4*	1.73	1.61	3.74	0.05	581229131
50 x 25	1-1/2 x 3/4*	2.17	1.69	4.65	0.12	581229210
50 x 32	1-1/2 x 1	2.17	2.28	4.65	0.13	581229211
63 x 32	2 x 1	2.48	1.89	5.31	0.22	581229249
63 x 50	2 x 1-1/2	2.48	2.28	5.83	0.30	581229251
90 x 63	3 x 2	3.11	2.43	6.77	0.64	581229338
110 x 63	4 x 2	3.23	2.48	7.01	0.94	581229420
110 x 90	4 x 3	3.23	3.11	6.97	1.10	581229422
160 x 90	6 x 3	3.96	3.11	8.54	2.34	581229531
160 x 110	6 x 4	3.86	3.37	8.86	2.60	581229532
200 x 160	8 x 6	4.41	3.58	9.92	5.00	581229585
250 x 160	10 x 6	6.04	4.39	12.36	8.77	581229627
250 x 200	10 x 8	6.04	4.86	12.36	9.79	581229628
315 x 200	12 x 8	6.99	5.18	14.76	16.49	581229660
315 x 250	12 x 10	6.83	6.04	14.76	18.34	581229673

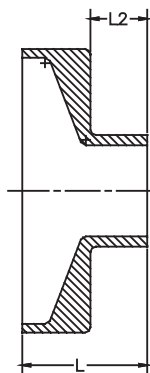
*Sizes below 1" require use of socket coupling. See page 24.



ECCENTRIC REDUCER

Size		Dimensions			SDR 11 / PN 10 / 150 PSI	
mm	inch	L1	L2	L	Weight (lbs)	Part Number
25 x 20	3/4 x 1/2*	2.01	1.50	4.06	0.05	581230101
32 x 25	1 x 3/4*	2.20	1.57	4.49	0.06	581230131
50 x 32	1-1/2 x 1	2.80	1.77	6.14	0.18	581230211
63 x 32	2 x 1	2.95	1.77	6.97	0.31	581230249
63 x 50	2 x 1-1/2	2.99	2.20	6.97	0.34	581230251
90 x 63	3 x 2	3.62	2.52	8.39	0.80	581230338
110 x 63	4 x 2	3.90	2.48	9.68	1.30	581230420
110 x 90	4 x 3	3.86	3.11	9.60	1.47	581230422
160 x 90	6 x 3	4.63	3.11	12.17	3.35	581230531
160 x 110	6 x 4	4.55	3.43	12.17	3.66	581230532
200 x 160	8 x 6	5.45	4.09	14.68	7.50	581230585
250 x 200	10 x 8	7.09	4.72	17.32	13.85	581230628

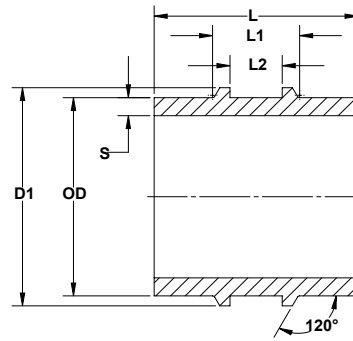
*Sizes below 1" require use of socket coupling. See page 24.



Chem Proline®

MACHINED FLUSH REDUCER

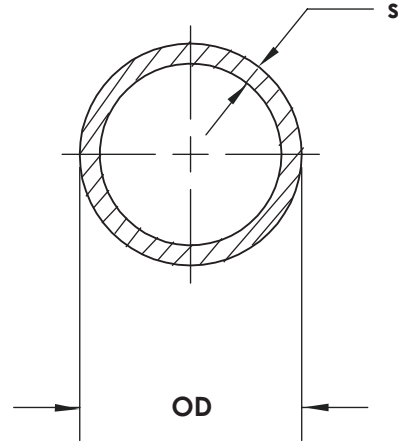
Size		Dimensions		SDR 11 / MOP 150
mm	in	L	L2	Part Number
32 x 20	1 x 1/2	3.00	1.25	581207130
63 x 20	2 x 1/2	3.00	1.25	581207246
63 x 25	3 x 3/4	3.00	1.25	581207248
90 x 20	3 x 1.2	3.00	1.25	581207332
90 x 32	3 x 1	3.00	1.25	581207134
90 x 63	3 x 2	3.00	1.25	581207338
110 x 63	4 x 2	3.00	1.25	581207420
110 x 90	4 x 3	3.00	1.25	581207422
160 x 63	6 x 2	3.00	1.25	581207530
160 x 90	6 x 3	3.00	1.25	581207531
160 x 110	6 x 4	3.00	1.25	581207532
200 x 32	8 x 1	3.00	1.25	581207571
200 x 63	8 x 2	3.00	1.25	581207581
200 x 90	8 x 3	3.00	1.25	581207582
200 x 110	8 x 4	3.00	1.25	581207583
200 x 160	8 x 6	3.00	1.25	581207585
250 x 32	10 x 1	3.00	1.25	581207623
250 x 63	10 x 2	3.00	1.25	581207624
250 x 90	10 x 3	3.00	1.25	581207625
250 x 110	10 x 4	3.00	1.25	581207626
250 x 160	10 x 6	3.00	1.25	581207627
250 x 200	10 x 8	3.00	1.25	581207628
315 x 63	12 x 2	3.00	1.25	581207656
315 x 90	12 x 3	3.00	1.25	581207657
315 x 110	12 x 4	3.00	1.25	581207658
315 x 160	12 x 6	3.00	1.25	581207659
315 x 200	12 x 8	3.00	1.25	581207660
315 x 250	12 x 10	3.00	1.25	581207673



RESTRAINT FITTING

Size		Dimensions						SDR 11 / PN 10 / 150 PSI
mm	inch	OD	D1	S	L	L1	L2	Part Number
20	1/2*	0.79	1.10	0.075	3.66	2.09	1.30	589161005
25	3/4*	0.98	1.30	0.091	3.66	2.09	1.30	589161007
32	1	1.26	1.57	0.114	3.66	2.09	1.30	589161010
50	1-1/2	1.97	2.28	0.181	4.45	2.09	1.30	589161015
63	2	2.48	2.80	0.228	4.33	1.97	1.22	589161020
90	3	3.54	4.13	0.323	5.12	2.76	1.57	589161030
110	4	4.33	5.00	0.394	5.12	2.76	1.57	589161040
160	6	6.30	7.30	0.575	6.00	3.57	2.40	589161060
200	8	7.87	8.87	0.717	6.00	3.57	2.40	589161080
250	10	9.87	10.84	0.894	6.00	3.57	2.40	589161100
315	12	12.14	13.40	1.126	6.00	3.57	2.40	589161120

*Sizes below 1" require use of socket coupling. See page 24.



Chem Proline®

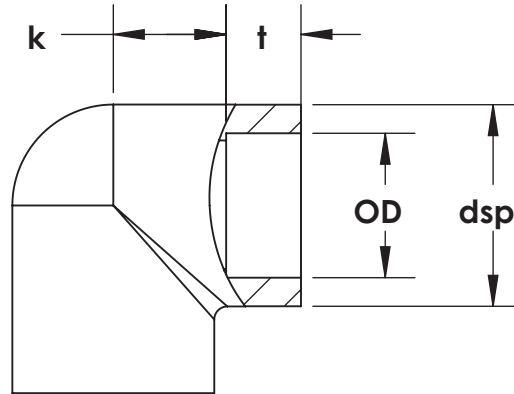
PIPE 5 meter (16.4') lengths

Size		Dimensions		SDR 7 / MOP 150 PSI			Dimensions		SDR 11 / MOP 150 PSI	
mm	inch	OD	s	Weight (lbs/lth)	Part Number	List Price	OD	s	Weight (lbs/lth)	Part Number
20	1/2	0.787	0.110	1.76	581102005	41.00	-	-	-	-
25	3/4	0.984	0.138	2.65	581102007	59.00	-	-	-	-
32	1	-	-	-	-	-	1.260	0.118	3.09	581202010
50	1-1/2	-	-	-	-	-	1.968	0.181	7.39	581202015
63	2	-	-	-	-	-	2.480	0.228	11.69	581202020
90	3	-	-	-	-	-	3.543	0.323	23.60	581202030
110	4	-	-	-	-	-	4.330	0.394	35.05	581202040

Pipe and fitting OD size is metric. Inch OD provided as nominal size only
 PN10/150psi pressure rating.

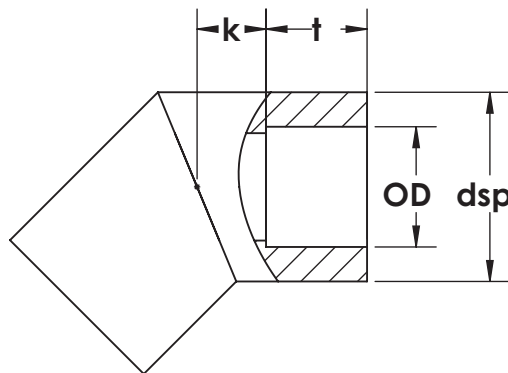
COILED PIPE 50 and 100 meter coils						
Size		Dimensions			SDR7 / MOP 150 PSI	
mm	inch	OD	s	Coil Lth m/ft	Weight Lbs/coil	Part Number
25mm	3/4	0.984	0.138	50/164	17.6	581102007050
25mm	3/4	0.984	0.138	100/328	35.2	581102007100
Size		Dimensions			SDR11 / MOP 150 PSI	
32mm	1	1.26	0.118	50/164	30.9	581202010050
32mm	1	1.26	0.118	100/328	61.8	581202010100

Current stock- check with A/A for availability of other sizes



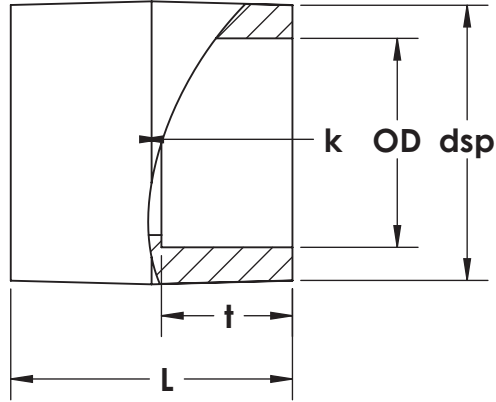
90 DEGREE ELBOW

Size		Dimensions			SDR 7 / MOP PN 10 / 150 PSI	
mm	inch	dsp	k	t	Weight (lbs.)	Part Number
20	1/2	1.15	0.55	0.63	0.04	581105005
25	3/4	1.38	0.67	0.71	0.07	581105007
32	1	1.70	0.79	0.79	0.11	581105010
50	1-1/2	2.58	1.10	0.98	0.31	581105015
63	2	3.19	1.38	1.10	0.57	581105020
90	3	4.48	1.93	1.42	1.32	581105030
110	4	5.22	2.09	1.69	1.92	581105040



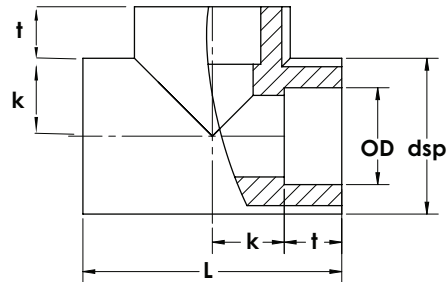
45 DEGREE ELBOW

Size		Dimensions			SDR 7 / MOP PN 10 / 150 PSI	
mm	inch	dsp	k	t	Weight (lbs.)	Part Number
20	1/2	1.18	0.43	0.63	0.04	581108005
25	3/4	1.38	0.55	0.71	0.07	581108007
32	1	1.69	0.67	0.79	0.09	581108010
50	1-1/2	2.56	1.02	0.94	0.24	581108015
63	2	3.19	1.30	1.14	0.42	581108020
90	3	4.45	1.81	1.46	0.99	581108030
110	4	5.31	2.20	1.65	1.50	581108040



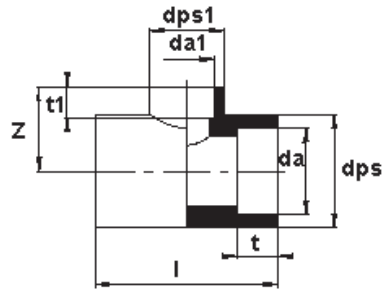
COUPLING

Size		Dimensions				SDR 7 / MOP PN 10 / 150 PSI	
mm	inch	dsp	L	k	t	Weight (lbs.)	Part Number
20	1/2	1.16	1.38	0.12	0.63	0.02	581116005
25	3/4	1.38	1.54	0.12	0.71	0.04	581116007
32	1	1.70	1.69	0.12	0.79	0.07	581116010
50	1-1/2	2.54	2.05	0.16	0.94	0.15	581116015
63	2	3.15	2.44	0.20	1.14	0.24	581116020
90	3	4.53	3.15	0.20	1.46	0.66	581116030
110	4	5.27	3.54	0.24	1.65	0.88	581116040



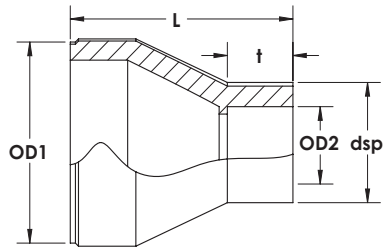
TEE

Size		Dimensions				SDR 7 / MOP PN 10 / 150 PSI	
mm	inch	dsp	L	k	t	Weight (lbs.)	Part Number
20	1/2	1.15	2.36	0.55	0.63	0.07	581120005
25	3/4	1.39	2.76	0.67	0.71	0.11	581120007
32	1	1.69	3.23	0.83	0.79	0.15	581120010
50	1-1/2	2.56	4.25	1.18	0.94	0.40	581120015
63	2	3.19	5.16	1.44	1.14	0.68	581120020
90	3	4.49	7.28	2.01	1.46	1.90	581120030
110	4	5.28	8.07	2.24	1.73	2.47	581120040



REDUCING TEE

Size		Dimensions						MOP 7 / PN 10 / 150 PSI	
mm	inch	dsp	dsp1	t	t1	l	z	Weight (lbs)	Part Number
25 x 20	3/4 x 1/2	1.37	1.18	0.71	0.63	2.76	1.26	0.09	581121101
32 x 20	1 x 1/2	1.69	1.18	0.79	0.63	3.14	1.57	0.14	581121130
32 x 25	1 x 3/4	1.69	1.38	0.79	0.71	3.15	1.57	0.14	581121131
50 x 20	1-1/2 x 1/2	2.57	1.18	0.98	0.63	4.27	1.97	0.35	581121208
50 x 25	1-1/2 x 3/4	2.58	1.40	0.94	0.71	4.33	2.01	0.35	581121210
50 x 32	1-1/2 x 1	2.56	1.69	0.94	0.79	4.27	2.13	0.36	581121211
63 x 25	2 x 3/4	3.19	1.42	1.14	0.71	5.12	2.56	0.71	581121248
63 x 32	2 x 1	3.19	1.71	1.14	0.79	5.10	2.56	0.70	581121249
63 x 50	2 x 1-1/2	3.19	2.60	1.14	0.94	5.10	2.56	0.71	581121251

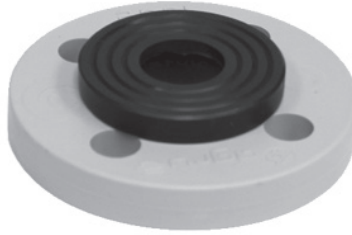


CONCENTRIC REDUCER

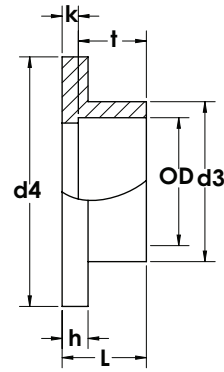
OD1 x OD2		Dimensions					SDR 7 / MOP PN 10 / 150 PSI		
mm	inch	OD1	OD2	L	dsp	t	Weight (lbs)	Part Number	
25 x 20	3/4 x 1/2	0.98	0.79	1.54	1.18	0.63	0.02	581129101	
32 x 20	1 x 1/2	1.26	0.79	1.75	1.14	0.63	0.04	581129130	
32 x 25	1 x 3/4	1.26	0.98	1.77	1.36	0.67	0.04	581129131	
50 x 32	1-1/2 x 1	1.97	1.26	2.17	1.67	0.71	0.09	581129211	
63 x 32	2 x 1	2.48	1.26	2.56	1.69	0.83	0.13	581129249	
63 x 50	2 x 1-1/2	2.48	1.97	2.56	2.55	0.98	0.15	581129251	
90 x 63	3 x 2	3.54	2.48	3.41	3.18	1.14	0.40	581129338	
110 x 90	4 x 3	4.33	3.54	3.49	4.48	1.46	0.66	581129422	

OD1 male spigot. OD2 female socket.

Large dimension is spigot end. Small dimension is socket.



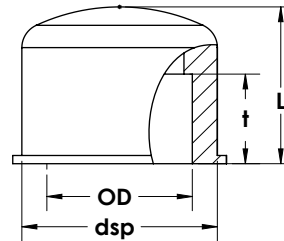
Shown with backing ring



STUB END*

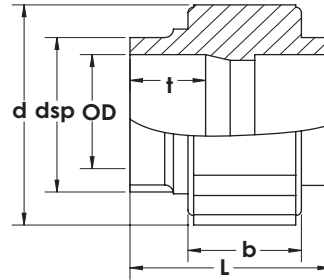
Size		Dimensions						SDR 7 / MOP PN 10 / 150 PSI	
mm	inch	d3	d4	h	L	k	t	Weight (lbs.)	Part Number
20	1/2	1.06	1.77	0.39	0.83	0.20	0.63	0.02	581132005
25	3/4	1.30	2.28	0.39	0.91	0.20	0.71	0.04	581132007
32	1	1.61	2.65	0.39	1.02	0.24	0.79	0.09	581132010
50	1-1/2	2.40	3.47	0.51	1.18	0.24	0.94	0.15	581132015
63	2	2.99	4.02	0.55	1.34	0.20	1.14	0.20	581132020
90	3	4.25	5.43	0.67	1.57	0.28	1.46	0.46	581132030
110	4	5.16	6.22	0.71	1.85	0.20	1.65	0.66	581132040

*Requires backing ring. See page 282-284



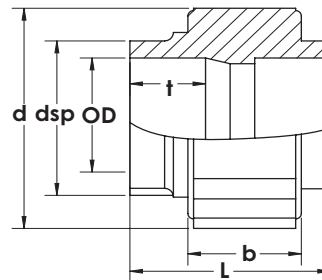
END CAP

Size		Dimensions				SDR 7 / MOP PN 10 / 150 PSI	
mm	inch	t	L	OD	dps	Weight (lbs)	Part Number
20	1/2	0.61	1.50	0.78	1.18	0.02	581112005
25	3/4	0.71	1.50	0.97	1.38	0.02	581112007
32	1	0.79	1.50	1.25	1.69	0.04	581112010
50	1-1/2	0.94	2.00	1.96	2.56	0.15	581112015
63	2	1.14	2.00	2.47	3.19	0.29	581112020
90	3	1.46	2.50	3.53	4.45	0.64	581112030
110	4	1.65	2.50	4.32	5.31	0.97	581112040



UNION

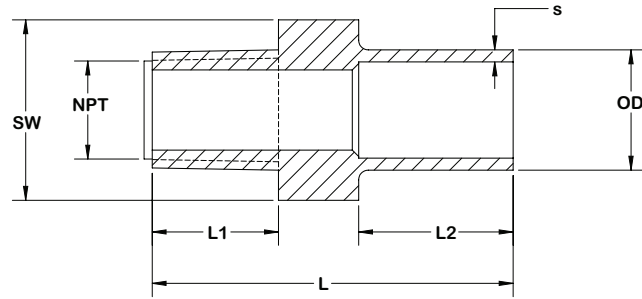
Size		Dimensions					SDR 7 / MOP PN 10 / 150 PSI			
mm	inch	L	d	b	dsp	t	Weight (lbs)	FKM Part Number	EPDM Part Number	
20	1/2	1.77	1.85	0.94	1.07	0.63	0.09	581134005	581144005	
25	3/4	1.93	2.24	1.02	1.41	0.71	0.13	581134007	581144007	
32	1	2.09	2.52	1.18	1.63	0.79	0.18	581134010	581144010	
50	1-1/2	2.64	3.50	1.38	2.31	0.96	0.40	581134015	581144015	
63	2	3.11	4.29	1.53	2.90	1.14	0.68	581134020	581144020	



TRANSITION UNION - PVC/CPVC

Size		Dimensions					SDR 7 / MOP PN 10 / 150 PSI			
							PVC		CPVC	
mm	inch	L	d	b	dsp	t	Weight (lbs)	Part Number	Part Number	
20	1/2	2.25	1.85	0.94	1.07	0.63	0.09	585827005	585828005	
25	3/4	2.375	2.24	1.02	1.41	0.71	0.13	585827007	585828007	
32	1	2.50	2.52	1.18	1.63	0.79	0.18	585827010	585828010	
50	1-1/2	2.50	3.50	1.38	2.31	0.96	0.40	585827015	585828015	
63	2	3.625	4.29	1.53	2.90	1.14	0.68	585827020	585828020	

FKM O-ring standard.

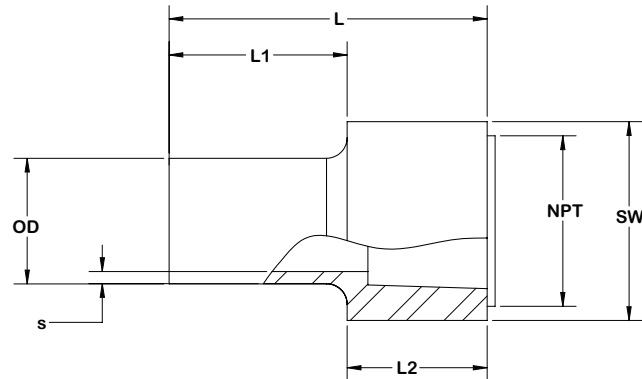


MALE ADAPTER

Size		Dimensions							SDR 11 Molded MOP / 150 PSI	
mm	inch	OD	s	L1	L2	L	NPT	SW	Weight (lbs)	Part Number
20	1/2	0.79	0.110	0.72	0.59	1.81	1/2	0.94	0.02	581252005
25	3/4	0.98	0.138	0.79	0.72	2.01	3/4	1.25	0.02	581252007
32	1	1.26	0.118	0.95	1.25	2.40	1	1.42	0.04	581252010
50	1-1/2	1.97	0.181	1.16	1.57	2.91	1 1/2	2.16	0.13	581252015
63	2	2.48	0.228	1.26	1.75	3.15	2	2.58	0.20	581252020

Requires use of socket coupling on page 24.
Butt fusion end, for socket welding use socket coupling.

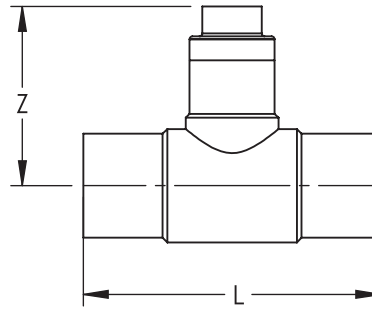
Chem Proline®



FEMALE ADAPTER

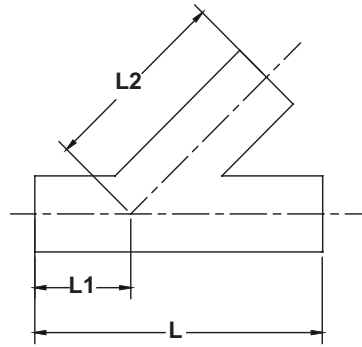
Size		Dimensions							SDR 11 Molded MOP / 150 PSI	
mm	inch	OD	s	L1	L2	L	NPT	SW	Weight (lbs)	Part Number
20	1/2	0.79	0.110	0.89	0.88	1.77	1/2	1.25	0.07	581253005
25	3/4	0.98	0.138	0.97	1.00	1.97	3/4	1.50	0.13	581253007
32	1	1.26	0.118	1.10	1.18	2.28	1	1.80	0.18	581253010
50	1-1/2	1.97	0.181	1.38	1.30	2.68	1 1/2	2.74	0.49	581253015
63	2	2.48	0.228	1.59	1.36	2.95	2	3.40	0.75	581253020

Requires use of socket coupling on page 24.
Butt fusion end, for socket welding use socket coupling.



FABRICATED FLUSH REDUCING TEE

Size		Dimensions		SDR 11 / MOP 150
mm	in	L	Z	Part Number
90 x 63	3 x 2	8.37	7.13	581248338
110 x 63	4 x 2	9.96	7.50	581248420
110 x 90	4 x 3	9.96	7.50	581248422
160 x 63	6 x 2	13.62	9.81	581248530
160 x 90	6 x 3	13.62	9.81	581248531
160 x 110	6 x 4	13.62	9.81	581248532
200 x 63	8 x 2	15.94	10.97	581248581
200 x 90	8 x 3	15.94	10.97	581248582
200 x 110	8 x 4	15.94	10.97	581248583
200 x 160	8 x 6	15.94	10.97	581248585
250 x 63	10 x 2	18.50	12.25	581248624
250 x 90	10 x 3	18.50	12.25	581248625
250 x 110	10 x 4	18.50	12.25	581248626
250 x 160	10 x 6	18.50	12.25	581248627
250 x 200	10 x 8	18.50	12.25	581248628
315 x 63	12 x 2	21.65	12.25	581248656
315 x 90	12 x 3	21.65	13.83	581248657
315 x 110	12 x 4	21.65	13.83	581248658
315 x 160	12 x 6	21.65	13.83	581248659
315 x 200	12 x 8	21.65	13.83	581248660
315 x 250	12 x 10	21.65	13.83	581248673



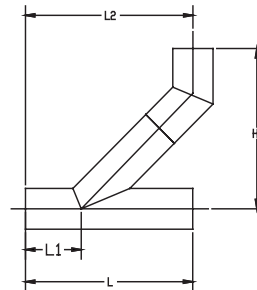
LATERALS

Size		Dimensions			MOP 5 PSI
mm	inch	L1	L2	L	Part Number
63	2	6	12	18	581205020
90	3	6	12	18	581205030
110	4	6	12	18	581205040
160	6	8	16	24	581205060
200	8	10	20	30	581205080
250	10	12	24	36	581205100
315	12	14	28	42	581205120

LATERALS - Molded*

Size		Dimensions			MOP 150 PSI
mm	inch	L1	L2	L	Part Number
90	3	4.8	9.1	13.8	581215030
110	4	5.2	9.8	15	581215040
160	6	6.5	14.2	20.7	581215060
200	8	7.5	16.4	23.8	581215080

* New product. Please check for availability.



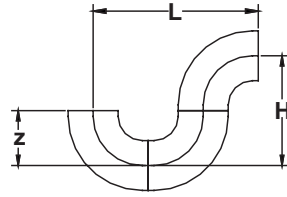
LATERALS WITH 1/8 BEND

Size		Dimensions				MOP 5 PSI
mm	inch	L	L1	L2	H	Part Number
63	2	18	6	16.5	13.5	581206020
90	3	18	6	17.25	15.25	581206030
110	4	18	6	17.25	15.5	581206040
160	6	24	8	23.5	21.75	581206060
200	8	30	10	28.5	25.5	581206080
250	10	36	12	34.75	31.25	581206100
315	12	42	14	39.25	33.25	581206120

LATERALS WITH 1/8 BEND - Molded*

Size		Dimensions				MOP 5 PSI
mm	inch	L	L1	L2	H	Part Number
90	3	13.8	4.8	14	13-3/8	581256030
110	4	15	5.2	15	14-1/8	581256040
160	6	20.7	6.6	20.75	20-1/2	581256060
200	8	23.8	7.5	20.75	23-1/8	581256080

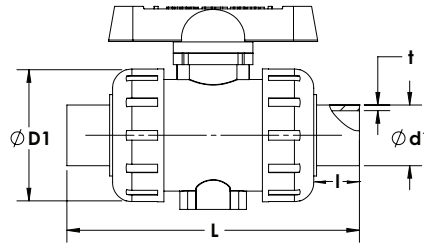
* New product. Please check for availability.



P-TRAP

Size		Dimensions			MOP 120 PSI
mm	inch	L	Z	H	Part Number
63	2	10.75	5.00	10.00	581208020
90	3	14.50	6.50	13.00	581208030
110	4	17.00	7.50	14.50	581208040
160	6	24.00	10.00	19.75	581208060
200	8	28.75	12.25	24.25	581208080
250	10	33.50	12.50	22.50	581208100
315	12	39.75	13.50	26.50	581208120





PVC TYPE-21 BALL VALVE - W/ CHEM PROLINE® SOCKET ENDS

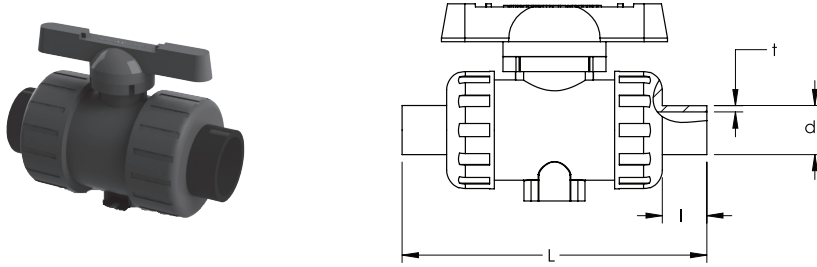
Size		Dimensions				EPDM O-RINGS	FKM O-RINGS
mm	inch	D1	d1	l	L	Part Number	Part Number
20	1/2	0.848	0.737	0.630	3.97	581601005	581605005
25	3/4	1.058	0.934	0.689	4.43	581601007	581605007
32	1	1.325	1.210	0.768	4.92	581601010	581605010
50	1-1/2	1.912	1.919	0.984	6.44	581601015	581605015
63	2	2.387	2.430	1.142	7.76	581601020	581605020
90	3	5.48	3.498	1.455	10.01	581601030	581605030
110	4	8.27	4.278	1.730	13.21	581601040	581605040

For vented ball applications, use option code 1600018 (\$24.00 list).

CPVC TYPE-21 BALL VALVE - W/ CHEM PROLINE® SOCKET ENDS

Size		Dimensions				EPDM O-RINGS	FKM O-RINGS
mm	inch	D1	d1	l	L	Part Number	Part Number
20	1/2	0.848	0.737	0.630	3.97	581609005	581613005
25	3/4	1.058	0.934	0.689	4.43	581609007	581613007
32	1	1.325	1.210	0.768	4.92	581609010	581613010
50	1-1/2	1.912	1.919	0.984	6.44	581609015	581613015
63	2	2.387	2.430	1.142	7.76	581609020	581613020
90	3	5.48	3.498	1.455	10.01	581609030	581613030
110	4	8.27	4.278	1.730	13.21	581609040	581613040

For vented ball applications, use option code 1600018 (\$24.00 list).



PVC TYPE-21 BALL VALVE - W/ CHEM PROLINE® BUTT ENDS

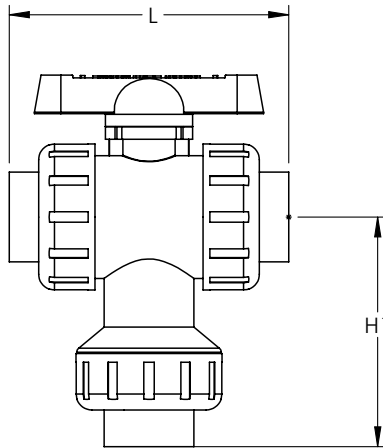
Size		Dimensions				EPDM O-RINGS	FKM O-RINGS
mm	inch	D1	d1	I	L	Part Number	Part Number
20	1/2	0.787	0.110	0.728	4.91	5816010051	5816050051
25	3/4	0.984	0.138	0.949	5.74	5816010071	5816050071
32	1	1.260	0.114	0.940	6.09	5816010101	5816050101
50	1-1/2	1.968	0.181	1.390	7.72	5816010151	5816050151
63	2	2.480	0.228	1.493	9.09	5816010201	5816050201
90	3	3.543	0.323	1.580	11.76	5816010301	5816050301
110	4	4.329	0.394	1.860	15.01	5816010401	5816050401

For vented ball applications, use option code 1600018 (\$24.00 list).

CPVC TYPE-21 BALL VALVE - W/ CHEM PROLINE® BUTT ENDS

Size		Dimensions				EPDM O-RINGS	FKM O-RINGS
mm	inch	D1	d1	I	L	Part Number	Part Number
20	1/2	0.787	0.110	0.728	4.91	5816090051	5816130051
25	3/4	0.984	0.138	0.949	5.74	5816090071	5816130071
32	1	1.260	0.114	0.940	6.09	5816090101	5816130101
50	1-1/2	1.968	0.181	1.390	7.72	5816090151	5816130151
63	2	2.480	0.228	1.493	9.09	5816090201	5816130201
90	3	3.543	0.323	1.580	11.76	5816090301	5816130301
110	4	4.329	0.394	1.860	15.01	5816090401	5816130401

For vented ball applications, use option code 1600018 (\$24.00 list).



PVC TYPE-23 BALL VALVE - W/ CHEM PROLINE® SOCKET ENDS

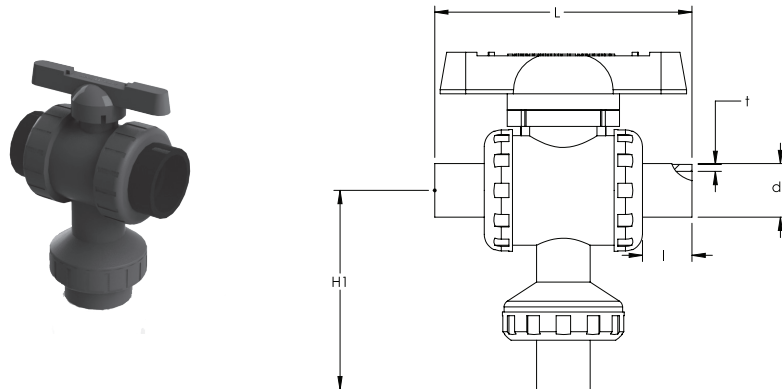
Size		Dimensions				EPDM O-RINGS	FKM O-RINGS
		d1	/	L	H1	PN 10 / 150 PSI	PN 10 / 150 PSI
mm	inch					Part Number	Part Number
20	1/2	0.737	0.630	3.97	3.46	582510005	582513005
25	3/4	0.934	0.689	4.43	4.18	582510007	582513007
32	1	1.210	0.768	4.92	4.83	582510010	582513010
50	1-1/2	1.919	0.984	6.44	6.10	582510015	582513015
63	2	2.430	1.142	7.76	7.10	582510020	582513020

Type-23 3-way ball valves are standard as “L” pattern.
 For additional flow types, consult valve price book for proper option code and price.

CPVC TYPE-23 BALL VALVE - W/ CHEM PROLINE® SOCKET ENDS

Size		Dimensions				EPDM O-RINGS	FKM O-RINGS
		d1	/	L	H1	PN 10 / 150 PSI	PN 10 / 150 PSI
mm	inch					Part Number	Part Number
20	1/2	0.737	0.630	3.97	3.46	582516005	582519005
25	3/4	0.934	0.689	4.43	4.18	582516007	582519007
32	1	1.210	0.768	4.92	4.83	582516010	582519010
50	1-1/2	1.919	0.984	6.44	6.10	582516015	582519015
63	2	2.430	1.142	7.76	7.10	582516020	582519020

Type-23 3-way ball valves are standard as “L” pattern.
 For additional flow types, consult valve price book for proper option code and price.



PVC TYPE-23 BALL VALVE - W/ CHEM PROLINE® BUTT ENDS

Size		Dimensions					EPDM O-RINGS	FKM O-RINGS
		d1	t	/	L	H1	PN 10 / 150 PSI	PN 10 / 150 PSI
mm	inch						Part Number	Part Number
20	1/2	0.787	0.110	0.728	4.91	3.93	5825100051	5825130051
25	3/4	0.984	0.138	0.949	5.74	4.83	5825100071	5825130071
32	1	1.260	0.114	0.940	6.09	5.41	5825100101	5825130101
50	1-1/2	1.968	0.181	1.390	7.72	6.74	5825100151	5825130151
63	2	2.480	0.228	1.493	9.09	7.77	5825100201	5825130201

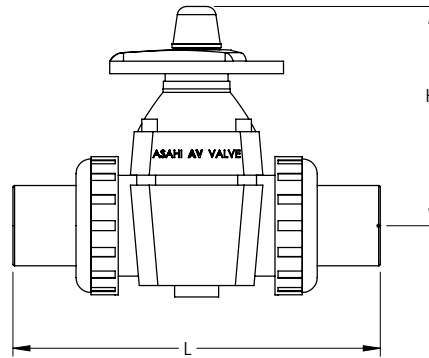
Type-23 3-way ball valves are standard as "L" pattern.
 For additional flow types, consult valve price book for proper option code and price.

CPVC TYPE-23 BALL VALVE - W/ CHEM PROLINE® BUTT ENDS

Size		Dimensions					EPDM O-RINGS	FKM O-RINGS
		d1	t	/	L	H1	PN 10 / 150 PSI	PN 10 / 150 PSI
mm	inch						Part Number	Part Number
20	1/2	0.787	0.110	0.728	4.91	3.93	5825160051	5825190051
25	3/4	0.984	0.138	0.949	5.74	4.83	5825160071	5825190071
32	1	1.260	0.114	0.940	6.09	5.41	5825160101	5825190101
50	1-1/2	1.968	0.181	1.390	7.72	6.74	5825160151	5825190151
63	2	2.480	0.228	1.493	9.09	7.77	5825160201	5825190201

Type-23 3-way ball valves are standard as "L" pattern.
 For additional flow types, consult valve price book for proper option code and price.



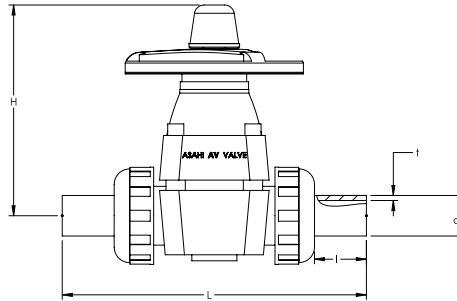
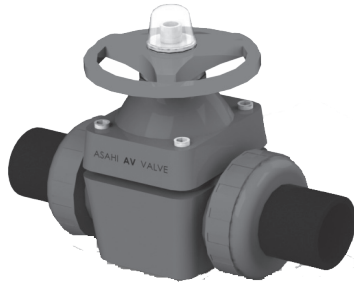


PVC TYPE-14 DIAPHRAGM VALVE - W /CHEM PROLINE® SOCKET ENDS

Size		Dimensions			EPDM DIAPHRAGM	PTFE DIAPHRAGM
mm	inch	d1	/	L	PN 10 / 150 PSI	PN 10 / 150 PSI
					Part Number	Part Number
20	1/2	0.737	0.630	4.99	581526005	581528005
25	3/4	0.934	0.689	5.53	581526007	581528007
32	1	1.210	0.768	6.49	581526010	581528010
50	1-1/2	1.919	0.984	9.67	581526015	581528015
63	2	2.430	1.142	11.19	581526020	581528020

CPVC TYPE-14 DIAPHRAGM VALVE - W /CHEM PROLINE® SOCKET ENDS

Size		Dimensions			EPDM DIAPHRAGM	PTFE DIAPHRAGM
mm	inch	d1	/	L	PN 10 / 150 PSI	PN 10 / 150 PSI
					Part Number	Part Number
20	1/2	0.737	0.630	4.99	581530005	581532005
25	3/4	0.934	0.689	5.53	581530007	581532007
32	1	1.210	0.768	6.49	581530010	581532010
50	1-1/2	1.919	0.984	9.67	581530015	581532015
63	2	2.430	1.142	11.19	581530020	581532020



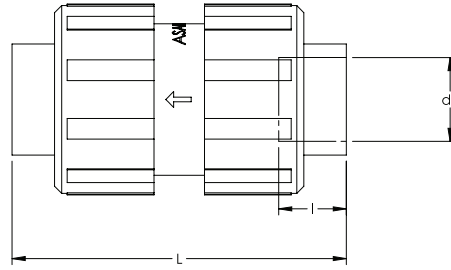
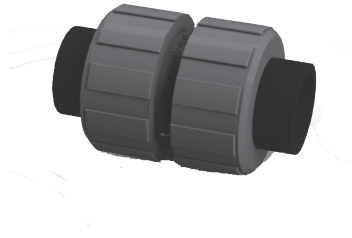
PVC TYPE-14 DIAPHRAGM VALVE - W /CHEM PROLINE® BUTT ENDS

Size		Dimensions				EPDM DIAPHRAGM	PTFE DIAPHRAGM
						PN 10 / 150 PSI	PN 10 / 150 PSI
mm	inch	d1	t	/	L	Part Number	Part Number
20	1/2	0.787	0.110	0.728	5.93	5815260051	5815280051
25	3/4	0.984	0.138	0.949	6.84	5815260071	5815280071
32	1	1.260	0.114	0.940	7.66	5815260101	5815280101
50	1-1/2	1.968	0.181	1.390	10.95	5815260151	5815280151
63	2	2.480	0.228	1.493	12.52	5815260201	5815280201

CPVC TYPE-14 DIAPHRAGM VALVE - W /CHEM PROLINE® BUTT ENDS

Size		Dimensions				EPDM DIAPHRAGM	PTFE DIAPHRAGM
						PN 10 / 150 PSI	PN 10 / 150 PSI
mm	inch	d1	t	/	L	Part Number	Part Number
20	1/2	0.787	0.110	0.728	5.93	5815300051	5815320051
25	3/4	0.984	0.138	0.949	6.84	5815300071	5815320071
32	1	1.260	0.114	0.940	7.66	5815300101	5815320101
50	1-1/2	1.968	0.181	1.390	10.95	5815300151	5815320151
63	2	2.480	0.228	1.493	12.52	5815300201	5815320201
						Discount Code	Discount Code



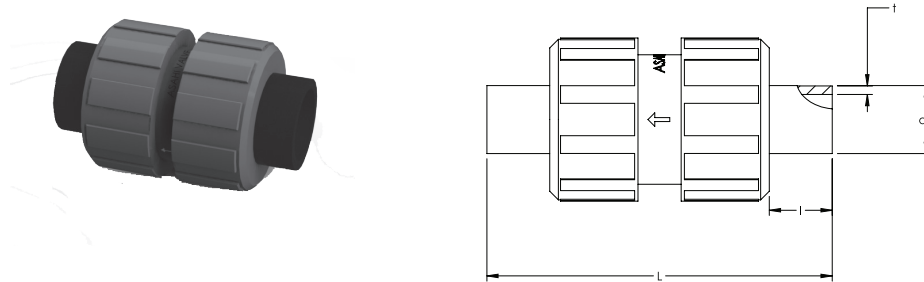


PVC BALL CHECK VALVE - W /CHEM PROLINE® SOCKET ENDS

Size		Dimensions			EPDM	FKM
					PN 10 / 150 PSI	PN 10 / 150 PSI
mm	inch	d1	/	L	Part Number	Part Number
20	1/2	0.737	0.630	3.25	581210005	581213005
25	3/4	0.934	0.689	3.77	581210007	581213007
32	1	1.210	0.768	4.14	581210010	581213010
50	1-1/2	1.919	0.984	5.94	581210015	581213015
63	2	2.430	1.142	7.12	581210020	581213020

CPVC BALL CHECK VALVE - W /CHEM PROLINE® SOCKET ENDS

Size		Dimensions			EPDM	FKM
					PN 10 / 150 PSI	PN 10 / 150 PSI
mm	inch	d1	/	L	Part Number	Part Number
20	1/2	0.737	0.630	3.25	581216005	581219005
25	3/4	0.934	0.689	3.77	581216007	581219007
32	1	1.210	0.768	4.14	581216010	581219010
50	1-1/2	1.919	0.984	5.94	581216015	581219015
63	2	2.430	1.142	7.12	581216020	581219020



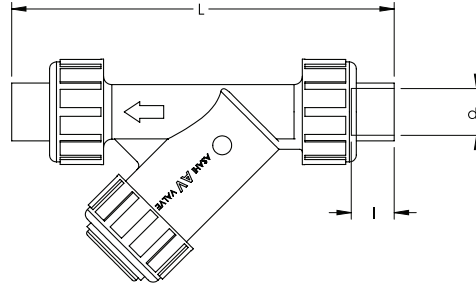
PVC BALL CHECK VALVE - W /CHEM PROLINE® BUTT ENDS

Size		Dimensions				EPDM	FKM
						PN 10 / 150 PSI	PN 10 / 150 PSI
mm	inch	d1	t	l	L	Part Number	Part Number
20	1/2	0.787	0.110	0.728	4.19	581219005	5812130051
25	3/4	0.984	0.138	0.949	5.08	581219007	5812130071
32	1	1.260	0.114	0.940	5.31	581219010	5812130101
50	1-1/2	1.968	0.181	1.390	7.22	581219015	5812130151
63	2	2.480	0.228	1.493	8.45	581219020	5812130201

CPVC BALL CHECK VALVE - W /CHEM PROLINE® BUTT ENDS

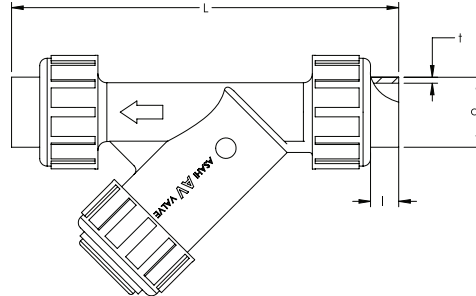
Size		Dimensions				EPDM	FKM
						PN 10 / 150 PSI	PN 10 / 150 PSI
mm	inch	d1	t	l	L	Part Number	Part Number
20	1/2	0.787	0.110	0.728	4.19	5812160051	5812190051
25	3/4	0.984	0.138	0.949	5.08	5812160071	5812190071
32	1	1.260	0.114	0.940	5.31	5812160101	5812190101
50	1-1/2	1.968	0.181	1.390	7.22	5812160151	5812190151
63	2	2.480	0.228	1.493	8.45	5812160201	5812190201





PVC SEDIMENT STRAINER - W /CHEM PROLINE® SOCKET ENDS

Size		Dimensions			EPDM	FKM
					PN 10 / 150 PSI	PN 10 / 150 PSI
mm	inch	d1	l	L	Part Number	Part Number
20	1/2	0.737	0.630	6.45	581257005	581258005
25	3/4	0.934	0.689	7.65	581257007	581258007
32	1	1.210	0.768	8.54	581257010	581258010
50	1-1/2	1.919	0.984	11.33	581257015	581258015
63	2	2.430	1.142	12.96	581257020	581258020

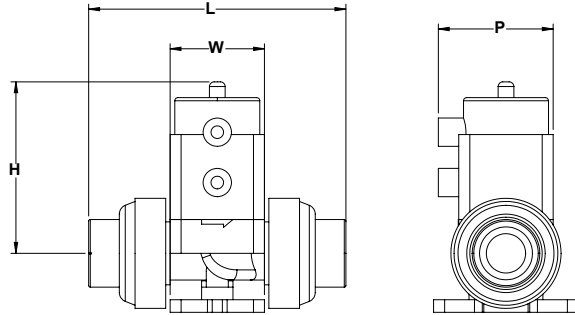


PVC SEDIMENT STRAINER - W /CHEM PROLINE® BUTT ENDS

Size		Dimensions				EPDM	FKM
						PN 10 / 150 PSI	PN 10 / 150 PSI
mm	inch	d1	t	l	L	Part Number	Part Number
20	1/2	0.787	0.110	0.728	7.39	5812570051	5812580051
25	3/4	0.984	0.138	0.949	8.96	5812570071	5812580071
32	1	1.260	0.114	0.940	9.71	5812570101	5812580101
50	1-1/2	1.968	0.181	1.390	12.61	5812570151	5812580151
63	2	2.480	0.228	1.493	14.29	5812570201	5812580201

Dymatrix™

Compact!

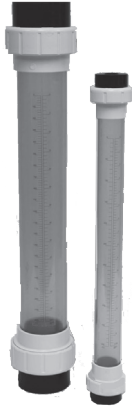


Chem Proline®

PVC AD-16 DIAPHRAGM VALVE - W/ CHEM PROLINE® SOCKET ENDS

Size		Dimensions				EPDM O-RINGS	FKM O-RINGS
		L	H	W	P	PN 6 / 90 PSI	PN 6 / 90 PSI
mm	inch					Part Number	Part Number
20	1/2	4.65	3.11	1.97	2.48	581167005	581170005
25	3/4	5.43	4.25	2.36	2.87	581167007	581170007
32	1	5.89	4.29	2.36	2.87	581167010	581170010
50	1-1/2	8.50	6.36	3.74	4.23	581167015	581170015
63	2	10.24	7.42	4.53	5.04	581167020	581170020

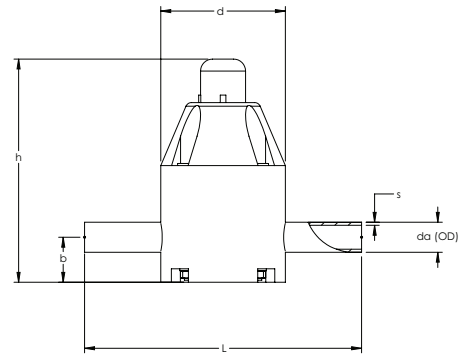
PE socket ends.
 Normally closed.
 For butt valve, use part number above with 1 at end.

CALIBRATION COLUMN

Size		Clear PVC Tube, Socket		
mm	inch	Description	FKM Part Number	EPDM Part Number
20	1/2	3 GPH (100mL)	582703005	582603005
20	1/2	6 GPH (200mL)	582706005	582606005
25	3/4	16 GPH (500mL)	582716007	582616007
25	3/4	32 GPH (1000mL)	582732007	582632007
32	1	60 GPH (2000mL)	582760010	582660010
32	1	120 GPH (4000mL)	582712010	582612010

Non-returnable and non-cancelable.

V86 Back Pressure/Relief Valves - Straight (Inline)

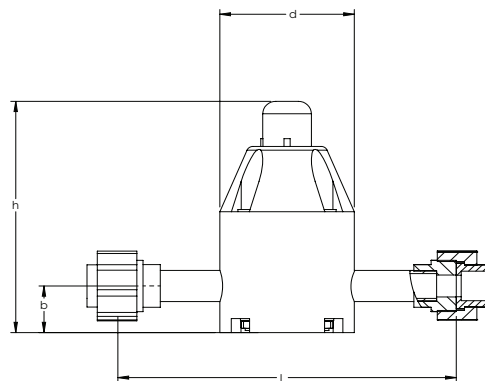


Chem Proline®

V86 BACK PRESSURE RELIEF VALVE STRAIGHT (INLINE) - BUTT/IR ENDS

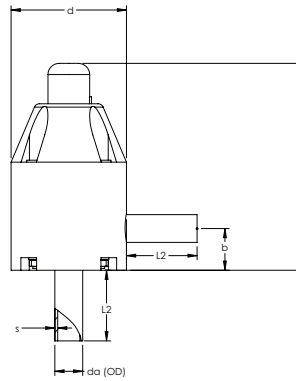
Size		Dimensions						Range (psi)	SDR11 / PN 10 / 150 PSI	
mm	Inch	da(OD)	d	L	b	h	s		EPDM	PTFE/FKM
		Part Number		Part Number						
20	1/2	0.787	3.268	7.25	0.787	5.394	0.11	7.25-145	588601105	588600105
25	3/4	0.984	3.268	7.25	0.787	5.394	0.138		588601107	588600107
32	1	1.26	4.409	8.50	1.063	7.835	0.118		588601110	588600110
50	1-1/2	1.968	6.496	10.50	1.693	11.417	0.181		588601115	588600115
63	2	2.48	6.496	10.50	1.693	11.417	0.228		588601120	588600120

Non-returnable and non-cancelable.



V86 BACK PRESSURE RELIEF VALVE STRAIGHT (INLINE) - SOCKET UNION

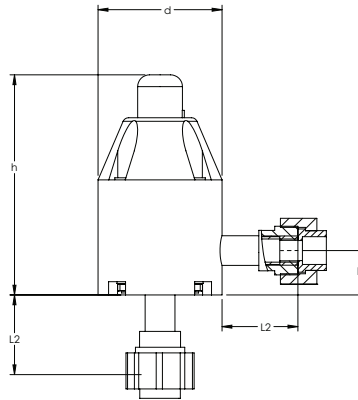
Size		Dimensions						Range (psi)	SDR11 / PN 10 / 150 PSI	
mm	Inch	da(OD)	d	L	b	h	s		EPDM	PTFE/FKM
		Part Number		Part Number						
20	1/2	0.787	3.268	6.50	0.787	5.394	0.11	7.25-145	588601205	588600205
25	3/4	0.984	3.268	6.50	0.787	5.394	0.138		588601207	588600207
32	1	1.26	4.409	7.75	1.063	7.835	0.118		588601210	588600210
50	1-1/2	1.968	6.496	9.75	1.693	11.417	0.181		588601215	588600215
63	2	2.48	6.496	9.75	1.693	11.417	0.228		588601220	588600220



V86 BACK PRESSURE RELIEF VALVE ANGLE - BUTT/IR ENDS

Size		Dimensions						Range (psi)	SDR11 / PN 10 / 150 PSI	
mm	Inch	da(OD)	d	L2	b	h	s		EPDM	PTFE/FKM
				Part Number		Part Number				
20	1/2	0.787	3.268	2.00	0.787	5.394	0.11	7.25-145	588611105	588610105
25	3/4	0.984	3.268	2.00	0.787	5.394	0.138		588611107	588610107
32	1	1.26	4.409	2.00	1.063	7.835	0.118		588611110	588610110

Non-returnable and non-cancelable.



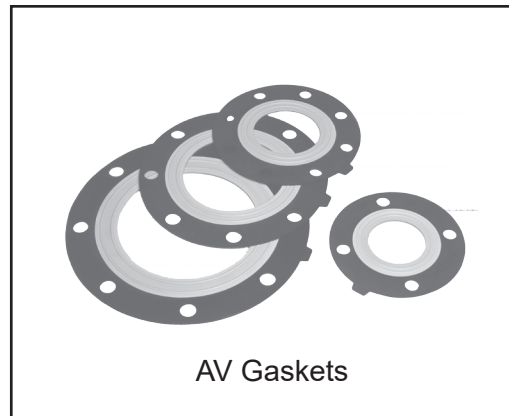
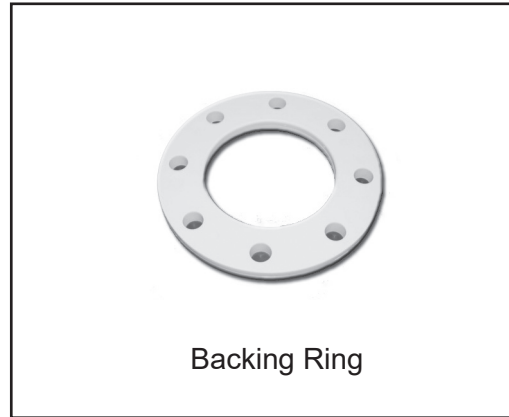
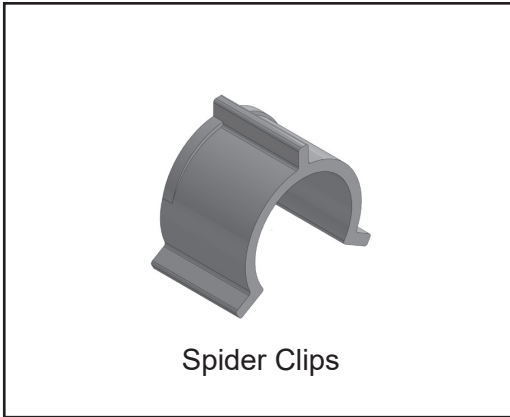
V86 BACK PRESSURE RELIEF VALVE ANGLE - SOCKET UNION

Size		Dimensions						Range (psi)	SDR11 / PN 10 / 150 PSI	
mm	Inch	da(OD)	d	L2	b	h	s		EPDM	PTFE/FKM
				Part Number		Part Number				
20	1/2	0.787	3.268	1.50	0.787	5.394	0.11	7.25-145	588611205	588610205
25	3/4	0.984	3.268	1.50	0.787	5.394	0.138		588611207	588610207
32	1	1.26	4.409	1.50	1.063	7.835	0.118		588611210	588610210

Non-returnable and non-cancelable.

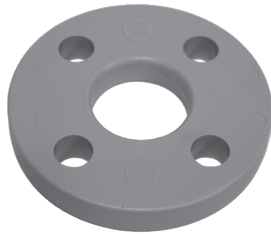


Piping System Accessories



Accessories

BACKING RING*

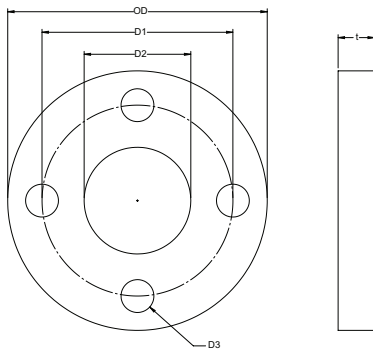


Backing Ring

Size		Description	PP - Grey
mm	inch		Part Number
20	1/2	ANSI 150#	5046005
25	3/4	ANSI 150#	5046007
32	1	ANSI 150#	5046010
40	1-1/4	ANSI 150#	5046012
50	1-1/2	ANSI 150#	5046015
63	2	ANSI 150#	5046020
75	2-1/2	ANSI 150#	5046025
90	3	ANSI 150#	5046030
110	4	ANSI 150#	5046040
160	6	ANSI 150#	5046060
200/225	8	ANSI 150#	5046080
250/280	10	ANSI 150#	5046100
315	12	ANSI 150#	5046120

*DIN bolt pattern PN 10/16 available.

Accessories



Size		Dimensions						
mm	inch	OD	D1	D2	D3	t	Weight	# of Bolt Holes
20	1/2	3.740	2.380	1.102	0.630	0.472	0.463	4
25	3/4	4.016	2.750	1.339	0.630	0.472	0.529	4
32	1	4.488	3.120	1.654	0.630	0.630	0.807	4
40	1-1/4	5.118	3.500	2.008	0.630	0.630	1.235	4
50	1-1/2	5.236	3.880	2.441	0.630	0.709	1.193	4
63	2	6.378	4.750	3.071	0.787	0.709	1.788	4
75	2-1/2	7.244	5.500	3.622	0.787	0.709	2.352	4
90	3	7.638	6.000	4.370	0.787	0.709	2.271	4
110	4	9.016	7.500	5.236	0.787	0.709	3.342	8
160	6	11.142	9.500	7.008	0.866	0.945	5.115	8
200/225	8	13.583	11.750	9.291	0.866	0.945	7.474	8
250/280	10	16.220	14.250	11.339	0.984	1.024	13.669	12
315	12	19.173	17.000	13.307	0.984	1.260	28.748	12

225mm (9") and 200mm (8") stub ends use 8" ANSI backing rings.
Consult factory for backing rings larger than 315mm (12").

BACKING RING*

Size		Description	PP - Black*
mm	inch		Part Number
20	1/2	ASNI 150#	5146005
25	3/4	ASNI 150#	5146007
32	1	ASNI 150#	5146010
40	1-1/4	ASNI 150#	5146012
50	1-1/2	ASNI 150#	5146015
63	2	ASNI 150#	5146020
75	2-1/2	ASNI 150#	5146025
90	3	ASNI 150#	5146030
110	4	ASNI 150#	5146040
160	6	ASNI 150#	5146060
200/225	8	ASNI 150#	5146080
250/280	10	ASNI 150#	5146100
315	12	ASNI 150#	5146120



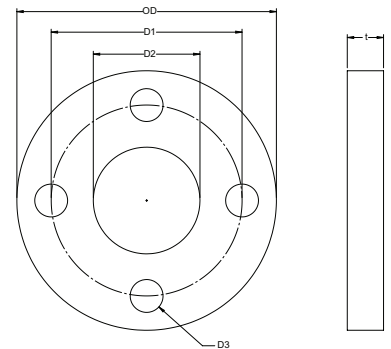
Backing Ring

*DIN bolt pattern PN 10/16 available.

*PP black UV resistant.

Accessories

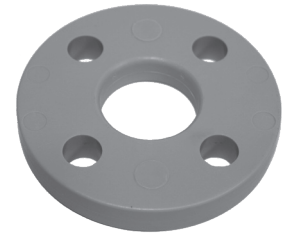
Size		Dimensions						
mm	inch	OD	D1	D2	D3	t	Weight	# of Bolt Holes
20	1/2	3.740	2.380	1.102	0.630	0.472	0.463	4
25	3/4	4.016	2.750	1.339	0.630	0.472	0.529	4
32	1	4.488	3.120	1.654	0.630	0.630	0.807	4
40	1-1/4	5.118	3.500	2.008	0.630	0.630	1.235	4
50	1-1/2	5.236	3.880	2.441	0.630	0.709	1.193	4
63	2	6.378	4.750	3.071	0.787	0.709	1.788	4
75	2-1/2	7.244	5.500	3.622	0.787	0.709	2.352	4
90	3	7.638	6.000	4.370	0.787	0.709	2.271	4
110	4	9.016	7.500	5.236	0.787	0.709	3.342	8
160	6	11.142	9.500	7.008	0.866	0.945	5.115	8
200/225	8	13.583	11.750	9.291	0.866	0.945	7.474	8
250/280	10	16.220	14.250	11.339	0.984	1.024	13.669	12
315	12	19.173	17.000	13.307	0.984	1.260	28.748	12



225mm (9") and 200mm (8") stub ends use 8" ANSI backing rings.
Consult factory for backing rings larger than 315mm (12").

BACKING RING*

Size		Description	Ductile Iron+	316 SS++
mm	inch		Part Number	Part Number
20	1/2	ANSI 150#	-	504501005
25	3/4	ANSI 150#	5048007	504501007
32	1	ANSI 150#	5048010	504501010
40	1-1/4	ANSI 150#	5048012	-
50	1-1/2	ANSI 150#	5048015	504501015
63	2	ANSI 150#	5048020	504501020
75	2-1/2	ANSI 150#	5048025	-
90	3	ANSI 150#	5048030	504501030
110	4	ANSI 150#	5048040	504501040
160	6	ANSI 150#	5048060	504501060
200/225	8	ANSI 150#	5048080	504501080
250/280	10	ANSI 150#	5048100	504501100
315	12	ANSI 150#	5048120	504501120
355	14	ANSI 150#	5048140	-
400	16	ANSI 150#	5048160	-
450	18	ANSI 150#	5048180	-
500	20	ANSI 150#	5048200	-
550	22	ANSI 150#	5048220	-
630	24	ANSI 150#	5048240	-

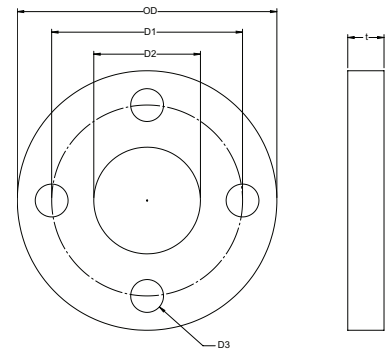


Backing Ring

*DIN bolt pattern PN 10/16 available.
 +DI backing rings not recommended for socket stub ends.
 ++ Contact A/A for current Stainless Steel pricing.

Accessories

Size		Dimensions							# of Bolt Holes
mm	inch	OD	D1	D2	D3	t	Weight		
20	1/2	3.740	2.380	1.102	0.630	0.472	0.463	4	
25	3/4	4.016	2.750	1.339	0.630	0.472	0.529	4	
32	1	4.488	3.120	1.654	0.630	0.630	0.807	4	
40	1-1/4	5.118	3.500	2.008	0.630	0.630	1.235	4	
50	1-1/2	5.236	3.880	2.441	0.630	0.709	1.193	4	
63	2	6.378	4.750	3.071	0.787	0.709	1.788	4	
75	2-1/2	7.244	5.500	3.622	0.787	0.709	2.352	4	
90	3	7.638	6.000	4.370	0.787	0.709	2.271	4	
110	4	9.016	7.500	5.236	0.787	0.709	3.342	8	
160	6	11.142	9.500	7.008	0.866	0.945	5.115	8	
200/225	8	13.583	11.750	9.291	0.866	0.945	7.474	8	
250/280	10	16.220	14.250	11.339	0.984	1.024	13.669	12	
315	12	19.173	17.000	13.307	0.984	1.260	22.500	12	
355	14	21.000	19.750	14.800	1.130	1.380	30.000	12	
400	16	23.500	21.250	16.930	1.130	1.440	35.000	16	
450	18	25.000	22.750	18.500	1.250	1.560	39.000	16	
500	20	27.500	25.000	21.250	1.250	1.690	56.000	20	
630	24	32.000	29.500	25.000	1.380	2.130	74.000	20	



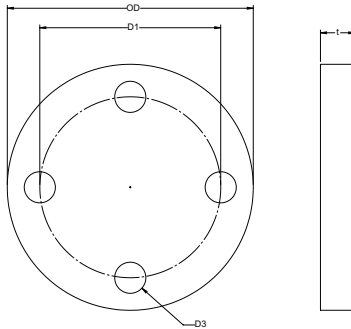
PP BLIND FLANGE



**PP
Blind Flange**

Size		Description	230 PSI Part Number
mm	inch		
20	1/2	Steel Insert, ANSI 150#	5042005
25	3/4	Steel Insert, ANSI 150#	5042007
32	1	Steel Insert, ANSI 150#	5042010
40	1-1/4	Steel Insert, ANSI 150#	5042012
50	1-1/2	Steel Insert, ANSI 150#	5042015
63	2	Steel Insert, ANSI 150#	5042020
75	2-1/2	Steel Insert, ANSI 150#	5042025
90	3	Steel Insert, ANSI 150#	5042030
110	4	Steel Insert, ANSI 150#	5042040
160	6	Steel Insert, ANSI 150#	5042060
200	8	Steel Insert, ANSI 150#	5042080
250	10	Steel Insert, ANSI 150#	5042100
315	12	Steel Insert, ANSI 150#	5042120

Accessories



Size		OD	D1	D3	t	Weight (lbs)	# of Bolt Holes
mm	inch						
20	1/2	3.740	2.380	0.630	0.472	0.569	4
25	3/4	4.016	2.750	0.630	0.472	0.750	4
32	1	4.488	3.120	0.630	0.630	1.118	4
40	1-1/4	5.118	3.500	0.630	0.630	1.614	4
50	1-1/2	5.236	3.880	0.630	0.709	1.775	4
63	2	6.378	4.750	0.787	0.709	2.690	4
75	2-1/2	7.244	5.500	0.787	0.709	3.400	4
90	3	7.638	6.000	0.787	0.709	4.057	4
110	4	9.016	7.500	0.787	0.709	6.504	8
160	6	11.142	9.500	0.866	0.945	11.244	8
200	8	13.583	11.750	0.866	0.945	17.461	8
250	10	16.220	14.250	0.984	1.024	33.400	12
315	12	19.173	17.000	0.984	1.260	63.493	12

PVDF BLIND FLANGE LINER

Size		Description	Not Pressure Rated Part Number
mm	inch		
20	1/2	ANSI 150#	5427005
25	3/4	ANSI 150#	5427007
32	1	ANSI 150#	5427010
40	1-1/4	ANSI 150#	5427012
50	1-1/2	ANSI 150#	5427015
63	2	ANSI 150#	5427020
75	2-1/2	ANSI 150#	5427025
90	3	ANSI 150#	5427030
110	4	ANSI 150#	5427040
160	6	ANSI 150#	5427060
200	8	ANSI 150#	5427080

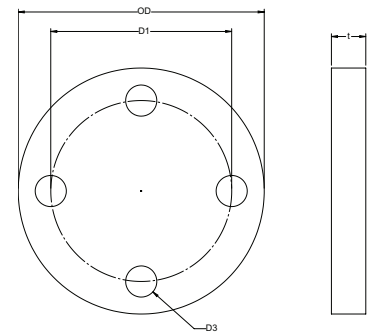


**PVDF
Blind Flange**

Machined item non-returnable / non-cancelable.
Not for pressure applications unless utilized with pressure rated blind flange see above.

Accessories

Size		OD	D1	D3	t	Weight (lbs)	# of Bolt Holes
mm	inch						
20	1/2	3.740	2.380	0.630	0.669	0.258	4
25	3/4	4.016	2.750	0.630	0.669	0.340	4
32	1	4.488	3.120	0.630	0.669	0.507	4
40	1-1/4	5.118	3.500	0.630	0.669	0.732	4
50	1-1/2	5.236	3.880	0.630	0.669	0.805	4
63	2	6.378	4.750	0.787	0.669	1.220	4
75	2-1/2	7.244	5.500	0.787	0.669	1.542	4
90	3	7.638	6.000	0.787	0.669	1.840	4
110	4	9.016	7.500	0.787	0.669	2.950	8
160	6	11.142	9.500	0.866	0.669	5.100	8
200	8	13.583	11.750	0.866	0.669	7.920	8
250	10	16.220	14.250	0.984	0.669	15.150	12
315	12	19.173	17.000	0.984	0.669	28.800	12



AV Gaskets

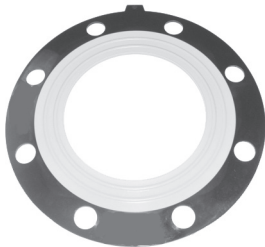
Please consult current Valve List Price book to ensure the list prices on all AV gaskets are current. Current Valve Price book supersedes this pricing.



EPDM
Durometer 65-70



PVDF
Durometer 83-85



PTFE
Durometer 95-100

CT GASKETS -PTFE*



PTFE

* Non stock-special order

AV Gaskets - EPDM

Size	Description	Part Number
1/2"	EPDM	3113005
3/4"	EPDM	3113007
1"	EPDM	3113010
1-1/4"	EPDM	3113012
1-1/2"	EPDM	3113015
2"	EPDM	3113020
2-1/2"	EPDM	3113025
3"	EPDM	3113030
4"	EPDM	3113040
6"	EPDM	3113060
8"	EPDM	3113080
10"	EPDM	3113100
12"	EPDM	3113120

AV Gaskets - PVDF

Size	Description	Part Number
1/2"	PVDF	3115005
3/4"	PVDF	3115007
1"	PVDF	3115010
1-1/2"	PVDF	3115015
2"	PVDF	3115020
3"	PVDF	3115030
4"	PVDF	3115040
6"	PVDF	3115060
8"	PVDF	3115080
10"	PVDF	3115100

AV Gaskets - PTFE

Size	Description	Part Number
1/2"	PTFE	3114005
3/4"	PTFE	3114007
1"	PTFE	3114010
1-1/4"	PTFE	3114012
1-1/2"	PTFE	3114015
2"	PTFE	3114020
2-1/2"	PTFE	3114025
3"	PTFE	3114030
4"	PTFE	3114040
6"	PTFE	3114060
8"	PTFE	3114080
10"	PTFE	3114100
12"	PTFE	3114120

General grade, available cleaned and bagged.

Size		Description	Part Number
mm	inch		
355	14	ANSI 150#	3116140
400	16	ANSI 150#	3116160
450	18	ANSI 150#	3116180
500	20	ANSI 150#	3116200
630	24	ANSI 150#	3116240

Accessories

SPIDER CLIP - PP

Size		PRO150 X 150	PRO150 X 45	PRO45 X 45
mm	inch	Part Number	Part Number	Part Number
32 x 90	1 X 3	5244134	-	-
63 x 110	2 X 4	5244420	5346420	-
90 x 160	3 X 6	5244531	5346531	-
110 x 200	4 X 8	5244583	5346583	5346583
160 x 250	6 X 10	5244627	5346627	5346627
200 x 315	8 X 12	5244660	5346660	5346660
250 x 355	10 X 14	5244702	5346702	5346702
315 x 400	12 X 16	5244690	5346690	5346690
355 x 450	14 X 18	5244710	5346710	5346710
400 x 500	16 X 20	-	5346726	5346726



**PP
Spider Clip**

SPIDER CLIP - PVDF

Size		PRO150 X 150	PRO150 X 45	PRO45 X 45
mm	inch	Part Number	Part Number	Part Number
32 x 90	1 X 3	5244134	-	-
63 x 110	2 X 4	5244420	5346420	-
90 x 160	3 X 6	5244531	5346531	-
110 x 200	4 X 8	5244583	5346583	5346583
160 x 250	6 X 10	5244627	5346627	5346627
200 x 315	8 X 12	5244660	5346660	5346660
250 x 355	10 X 14	5244702	5346702	5346702
315 x 400	12 X 16	5244690	5346690	5346690
355 x 450	14 X 18	5244710	5346710	5346710
400 x 500	16 X 20	-	5346726	5346726

SPIDER CLIP - PE (FOR CHEM PROLINE®)

Sizes		SDR	Part Number
mm	inches		
32 x 90	1 x 3	SDR 11 x 11	4784134
63 x 110	2 x 4	SDR 11 X 33	4784420
90 x 169	3 x 6	SDR 11 x 33	4784531
110 x 200	4 x 8	SDR 11 x 33	4784583
200 x 250	6 x 10	SDR 11 x 33	4784627
200 x 315	8 x 12	SDR 11 x 33	4784660
250 x 355	10 x 14	SDR 11 x 33	4784702
315 x 400	12 x 16	SDR 11 x 33	4784690



**PE
Spider Clip**

SUPPORT DISC - PP

**PP
Support
Disc**

Size		PRO150 X 150	PRO150 X 45	PRO45 X 45
mm	inch	Part Number	Part Number	Part Number
32 x 90	1 X 3	5242134	-	-
63 x 110	2 X 4	5242420	5344420	-
90 x 160	3 X 6	5242531	5344531	-
110 x 200	4 X 8	5242583	5344583	5344583
160 x 250	6 X 10	5242627	5344627	5344627
200 x 315	8 X 12	5242660	5344660	5344660
250 x 355	10 X 14	5242702	5344702	5344702
315 x 400	12 X 16	-	5344690	5344690
355 x 450	14 X 18	-	5344710	5344710
400 x 500	16 X 20	-	5344726	5344726

Required if full pipe length is cut. Must be installed before welding pipe.

SUPPORT DISC - PVDF

**PVDF
Support
Disc**

Size		PVDF X PVDF
mm	inch	Part Number
32 x 90	1 X 3	6238134
63 x 110	2 X 4	6238420
90 x 160	3 X 6	6238531
110 x 200	4 X 8	6238583
160 x 250	6 X 10	6238627
200 x 315	8 X 12	6236660

Required if full pipe length is cut. Must be installed before welding pipe.

SUPPORT DISC - PE (FOR CHEM PROLINE®)

**PE
Support
Disc**

Sizes		SDR	Part Number
mm	inches		
32 x 90	1 x 3	SDR 11 x 11	4744134
63 x 110	2 x 4	SDR 11 X 33	4744420
90 x 169	3 x 6	SDR 11 x 33	4744531
110 x 200	4 x 8	SDR 11 x 33	4744583
200 x 250	6 x 10	SDR 11 x 33	4744627
200 x 315	8 x 12	SDR 11 x 33	4744660
250 x 355	10 x 14	SDR 11 x 33	4744702
315 x 400	12 x 16	SDR 11 x 33	4744690

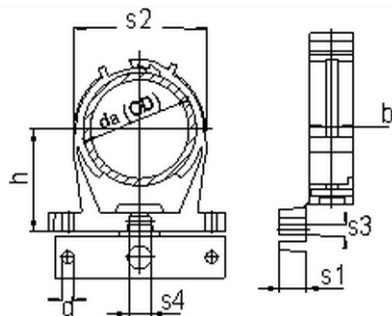
Required if full pipe length is cut. Must be installed before welding pipe.



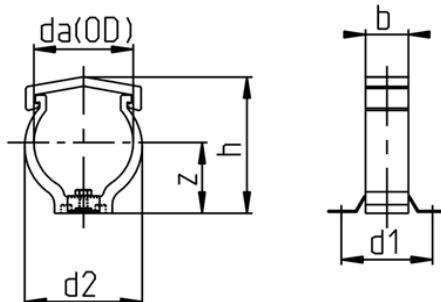
PIPE CLIPS

Size		Description	Part Number
mm	inch		
20	1/2	Snap Clips	5349005
25	3/4	Snap Clips	5349007
32	1	Snap Clips	5349010
40	1-1/4	Snap Clips	5349012
50	1-1/2	Snap Clips	5349015
63	2	2 Piece Clip	5246020
75	2-1/2	2 Piece Clip	5246025
90	3	2 Piece Clip	5246030
110	4	2 Piece Clip	5246040
160	6	2 Piece Clip	5246060
200	8	2 Piece Clip	5246080
225	9	2 Piece Clip	5246090

Accessories



Size		h	s1	s2	s3/d	s4	b
mm	inch						
20	1/2	1.06	0.24	1.14	0.26	0.35	0.55
25	3/4	1.18	0.40	1.34	0.26	0.35	0.63
32	1	1.24	0.45	1.54	0.26	0.35	0.63
40	1-1/4	1.46	0.55	1.97	0.26	0.35	0.69
50	1-1/2	1.61	0.59	2.20	0.26	0.35	0.79



Size		z	d1	d2	h	b
mm	inch					
63	2	2.04	2.91	3.07	3.74	1.16
75	2-1/2	2.40	3.23	3.70	4.41	1.57
90	3	2.63	3.22	4.25	5.03	1.57
110	4	3.14	3.22	5.39	5.98	1.57
160	6	4.56	4.33	7.24	8.54	2.36
200	8	5.82	4.33	9.37	10.50	2.36
225	9	6.22	4.33	10.28	11.46	2.36



PIPE CLIPS

Size		Description	Part Number
mm	inch		
250	10	Snap Clips	5350100
280	11	Snap Clips	5350110
315	12	Snap Clips	5350120
355	14	Snap Clips	5350140
400	16	Snap Clips	5350160

10-16" pipe clips are special order.

Accessories

Size		B	D	E	d3	Z1	Z2
mm	inch						
250	10	7.88	0.98	1.57	0.51	7.19	5.61
280	11	7.88	0.98	1.57	0.51	7.78	6.12
315	12	8.86	0.98	1.57	0.51	8.6	6.75
355	14	10.12	1.18	1.97	0.67	10.87	8.27
400	16	11.34	1.18	1.97	0.67	11.85	9.06

